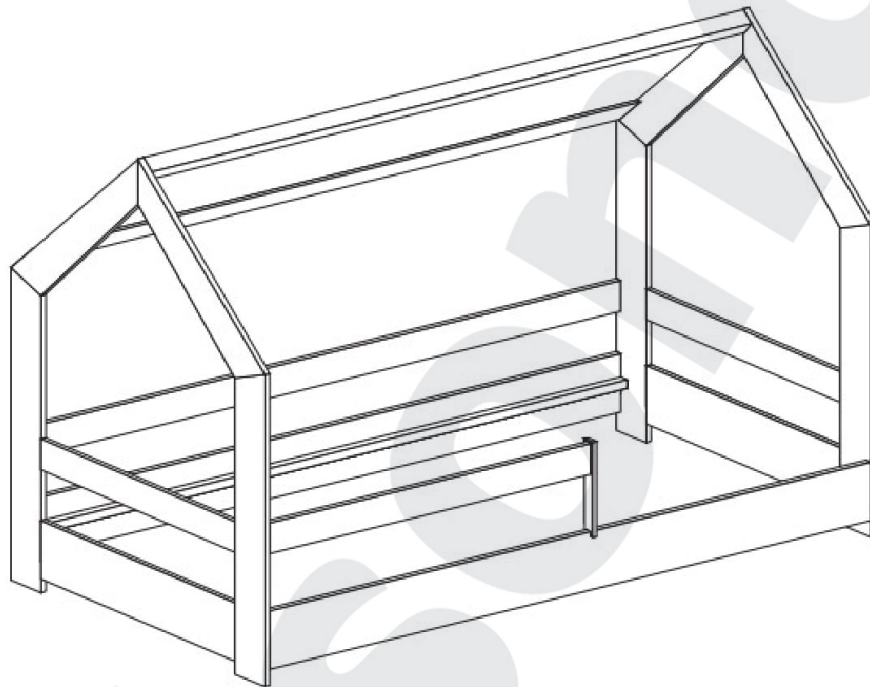
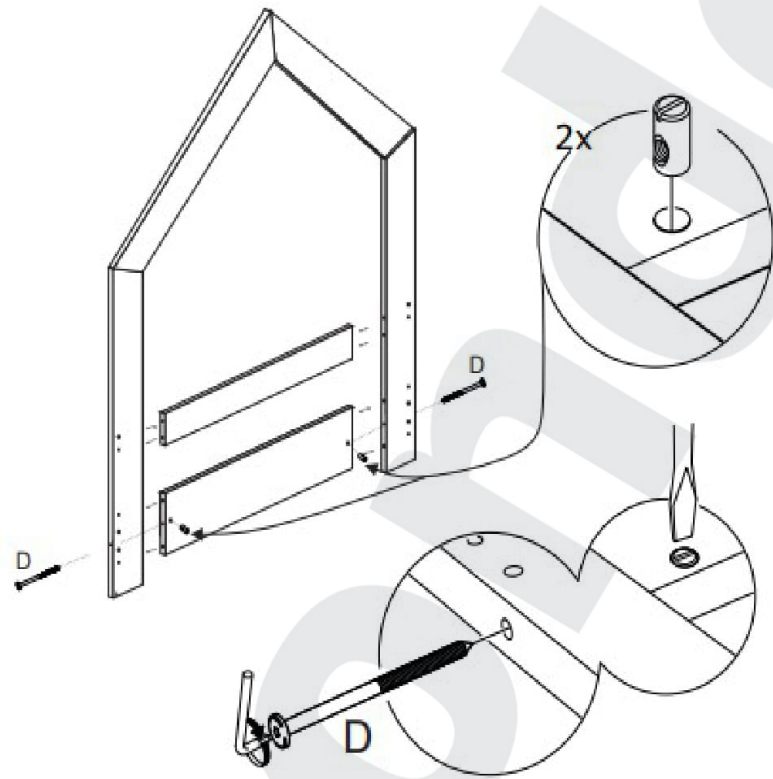
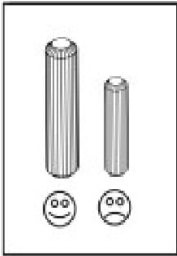


AFTER 160x80





MILS

