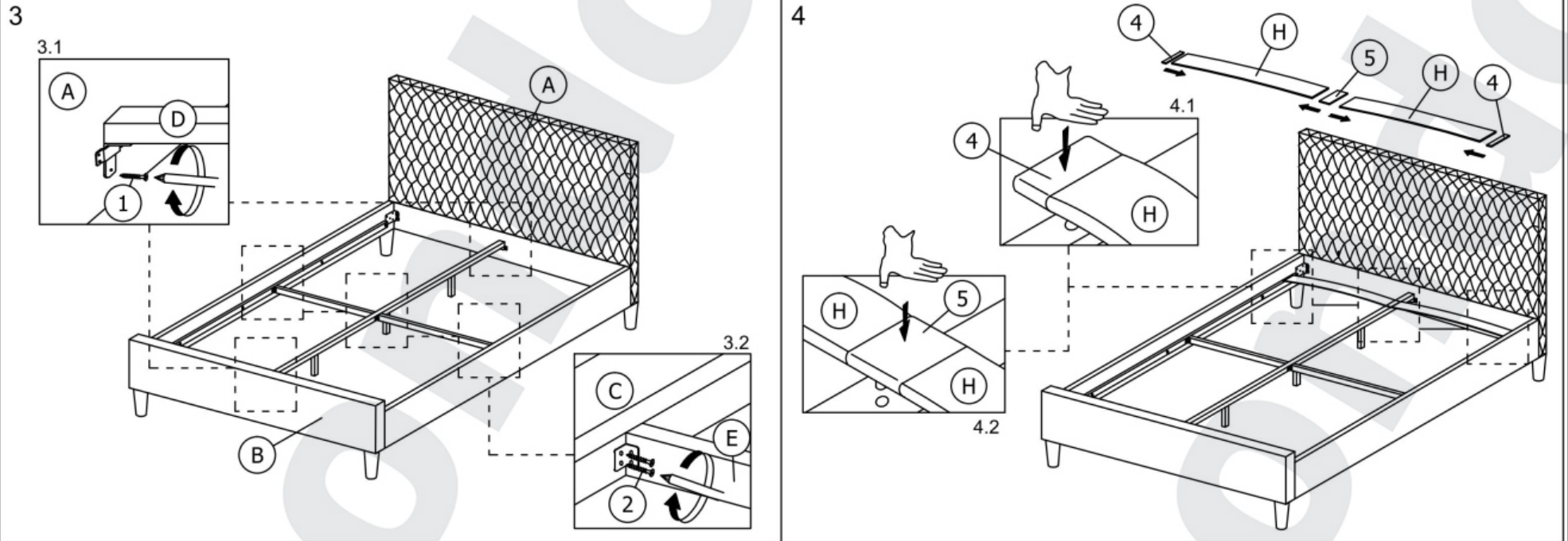
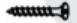
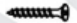





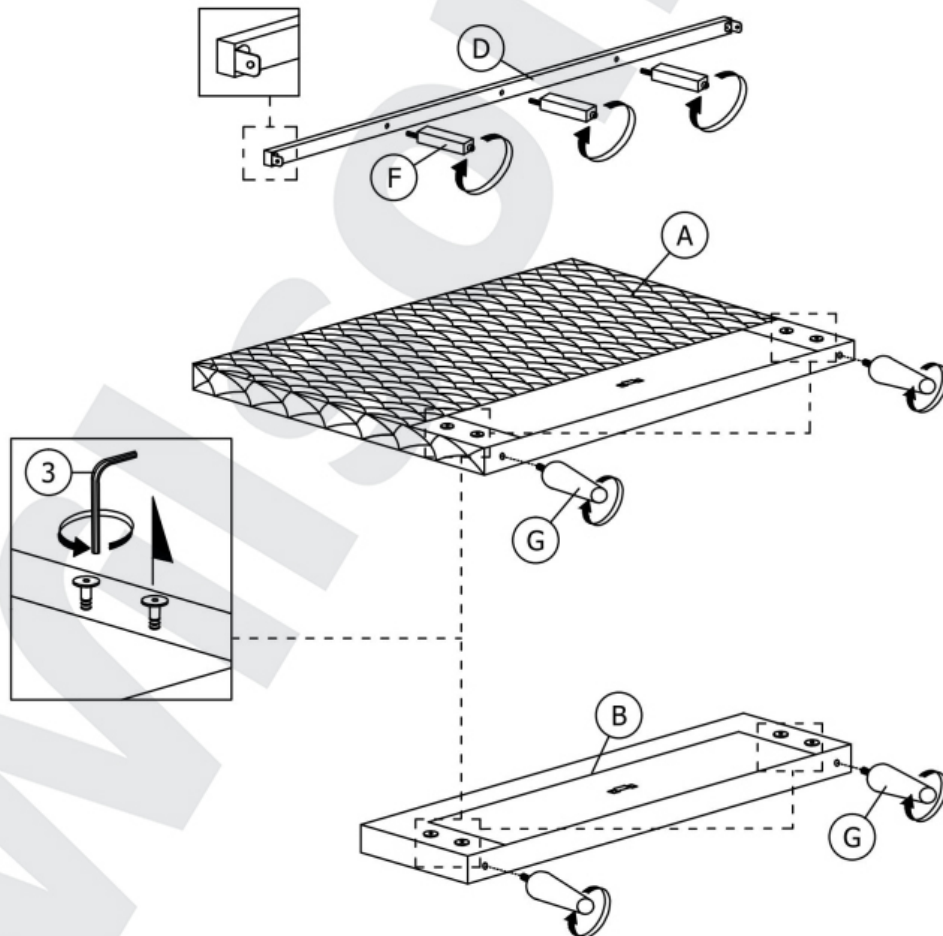
# ARNICA



# ARNICA

A	1 PC	1	M4 x 20mm		2 PCS
B	1 PC	2	M3.5 x 16mm		8 PCS
C	2 PCS	3	M5		1 PC
D	1 PC	4			34 PCS
E	2 PCS	5			17 PCS
F	3 PCS				
G	4 PCS				
H	34 PCS				

1



2

