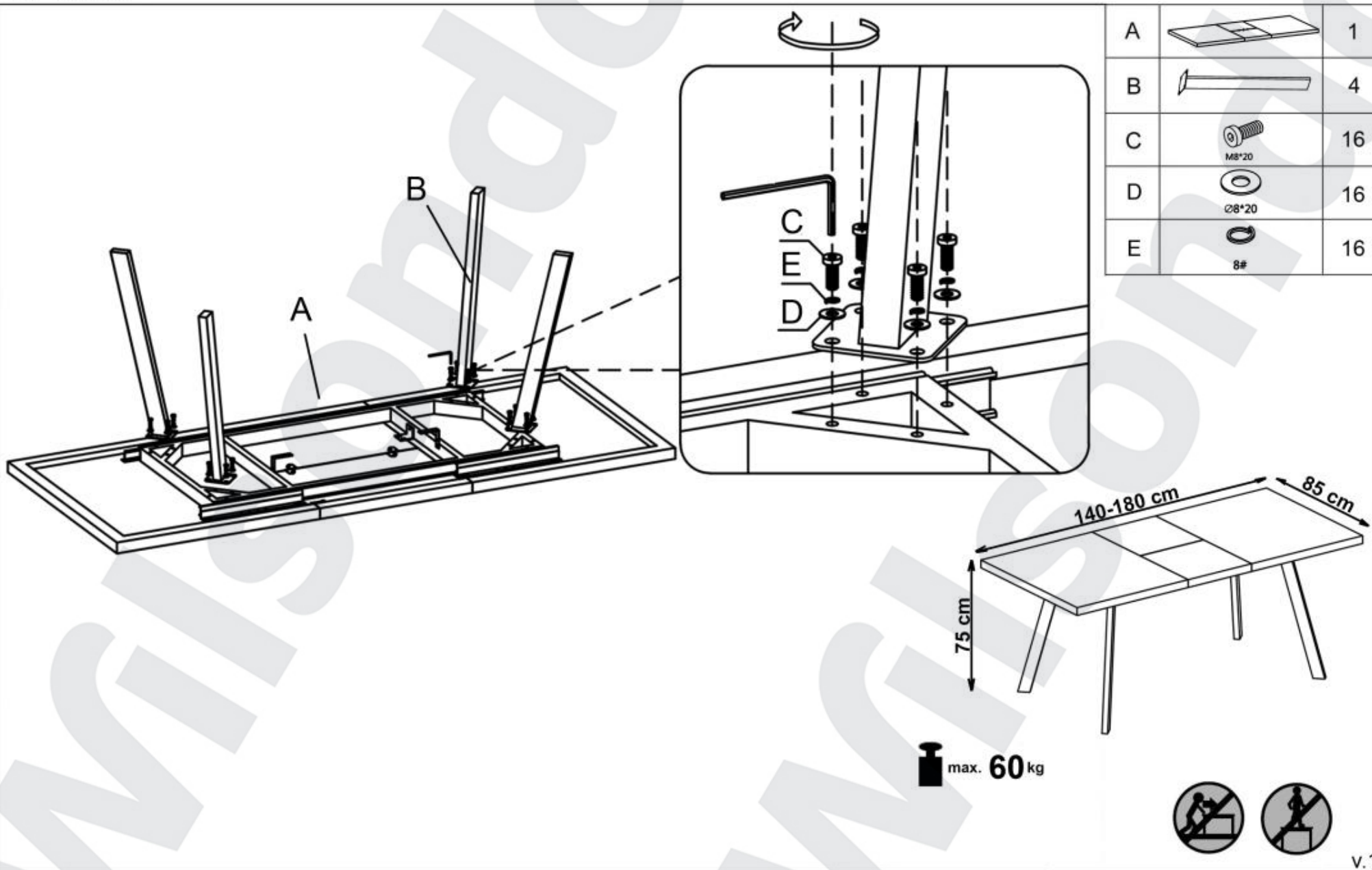







BERLIN



A		1
B		4
C	 M8*20	16
D	 Ø8*20	16
E	 8#	16

 max. 60 kg

