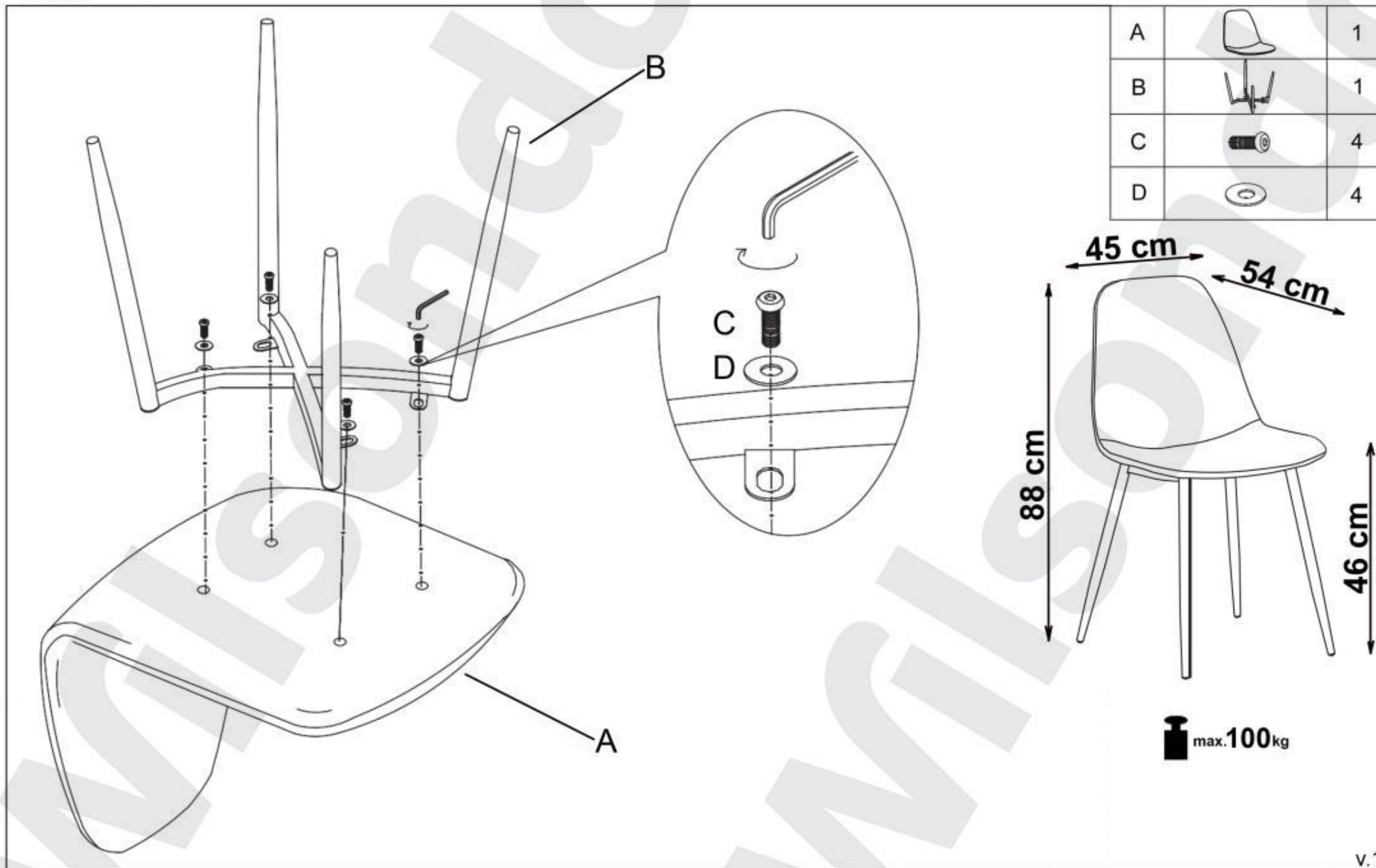


K387



A		1
B		1
C		4
D		4