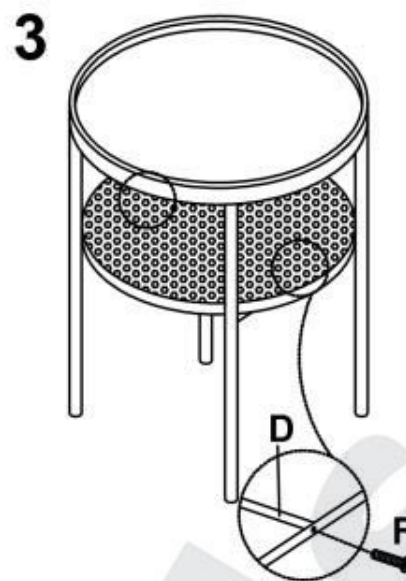
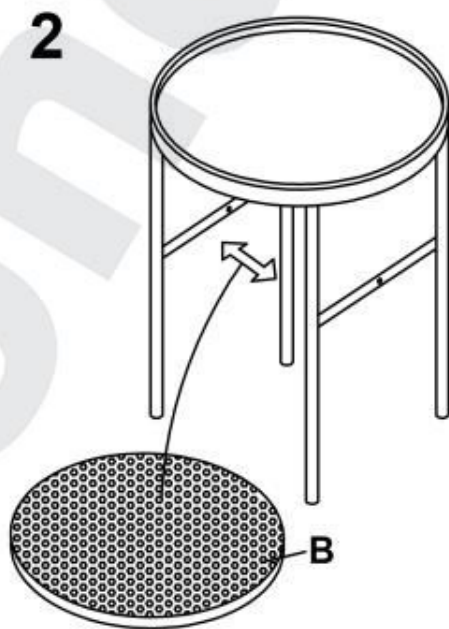
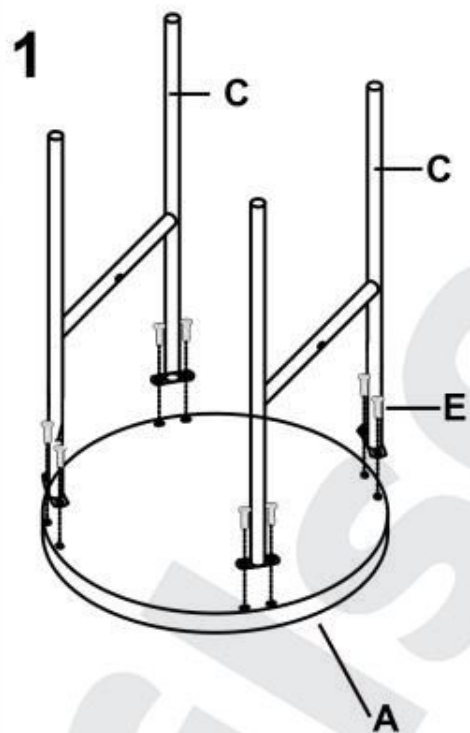
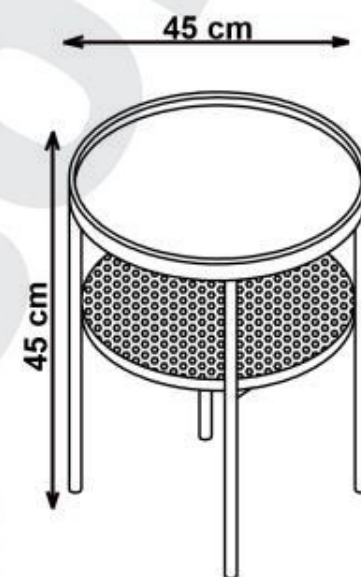


# KAMPA



A		1
B		1
C		2
D		1
E		8
F		2



max. 10 kg

