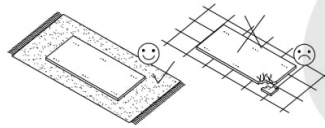
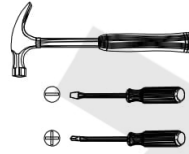
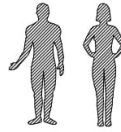
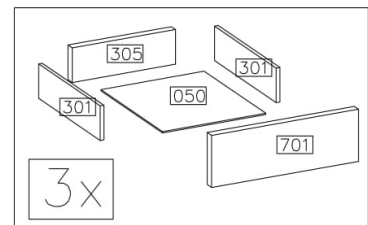
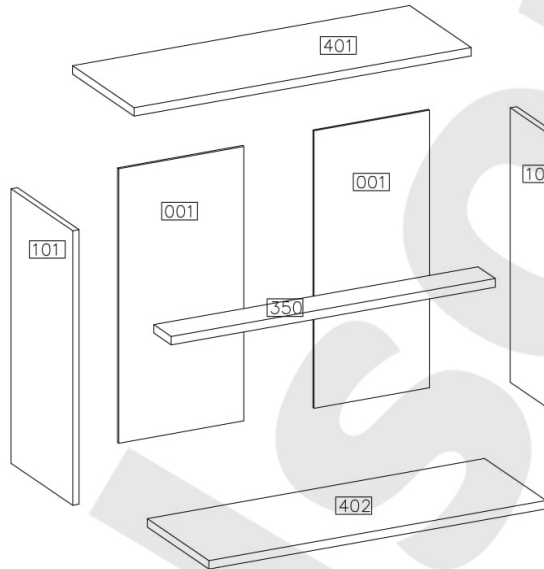
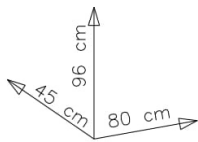


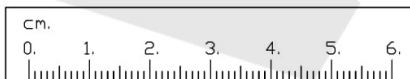
# PL - KOMODA 3S ANITA / SK - KOMODA 3S ANITA / HU - KOMÓD 3S ANITA







#	ART. NR	X
1	401	1
2	402	1
3	101	1
4	102	1
5	350	1
6	701	3
7	301	6
8	305	3
9	050	3
10	001	2

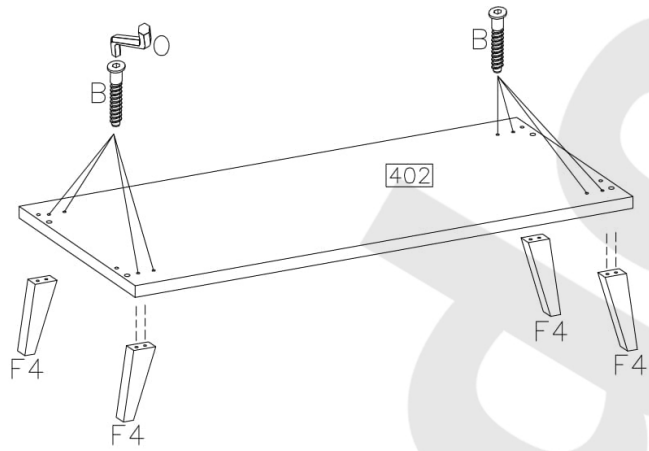


D1	C	E	A	P1	S1	R3	Z1
10	10	10	34	36	3	3	1
F10	F4	B	E1	O	O11	I4	
70	4	8	8	1	3	3SZT	



1

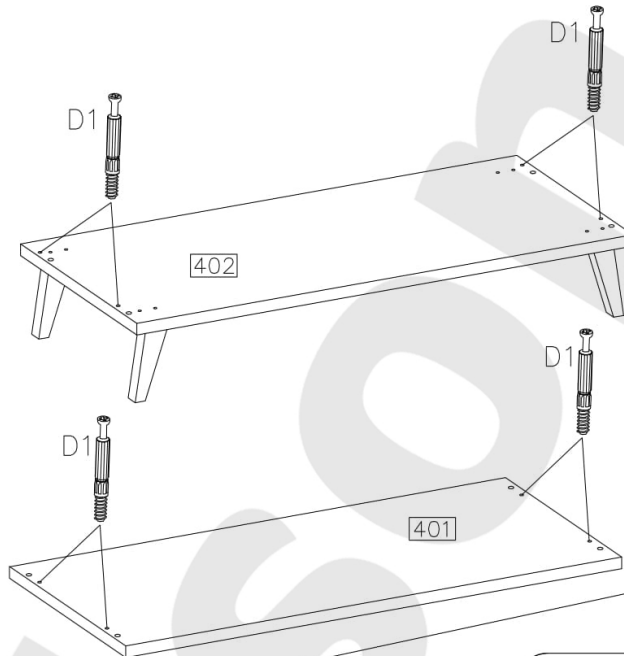
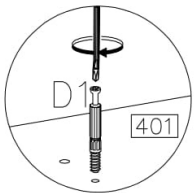
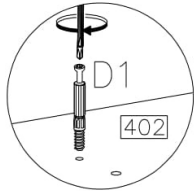
 B 8	 E1 8
 F4 4	 O 1








E10 B

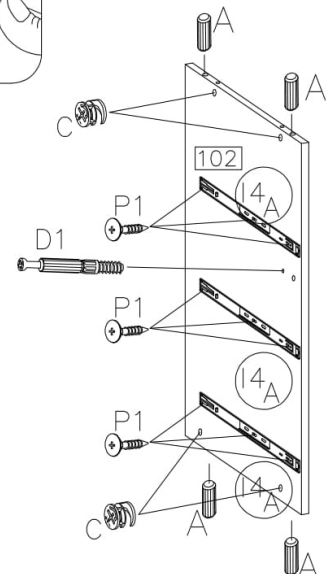
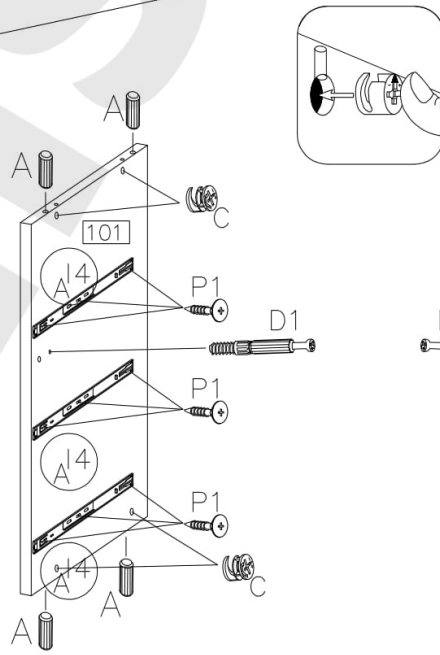
2

 D1 8
----------------------------------------------------------------------------------------------




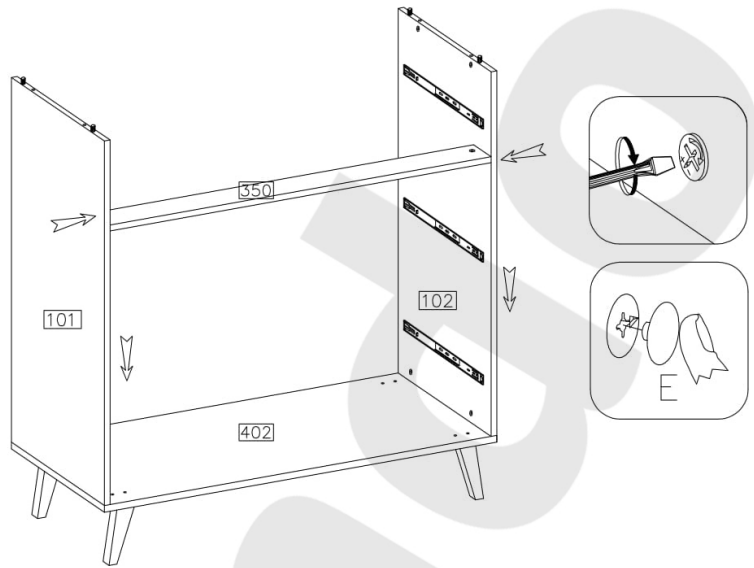
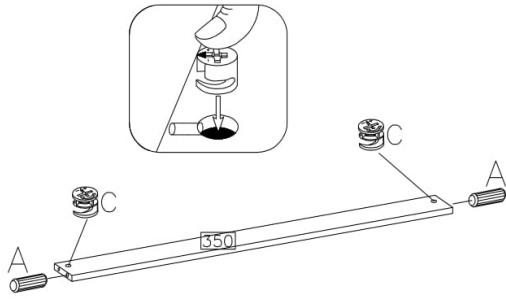
3

 A 8	 I4 14	 D1 2
 C 8	 P1 18	
ø8x30mm 3SZT ø15/12mm    ø4.0x16mm		




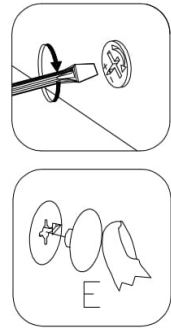
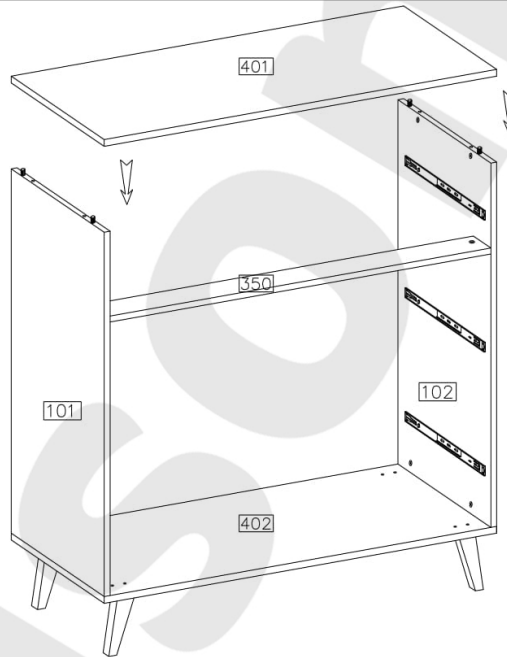
4

	$\varnothing 8 \times 30 \text{ mm}$	$\varnothing 15 / 12 \text{ mm}$
E	A	C
6	2	2





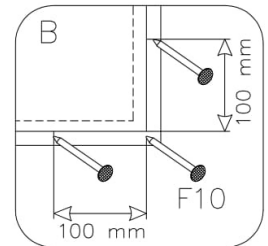
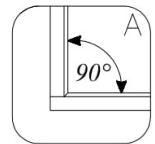
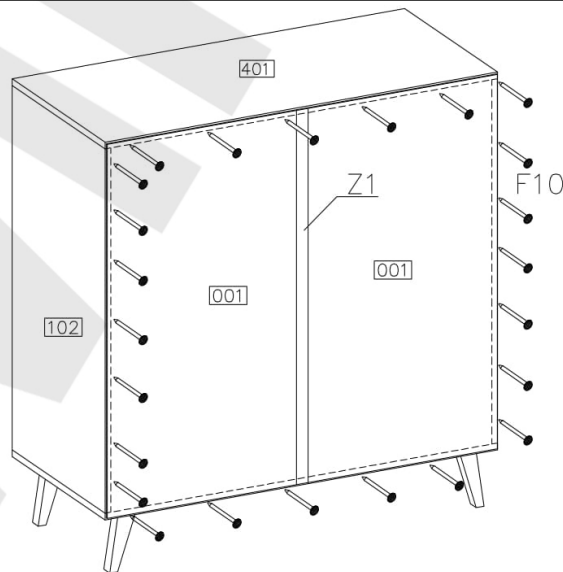
5


E
4

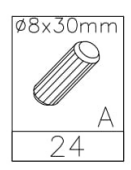


6

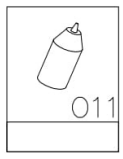
	F10
40	
	Z1
1	



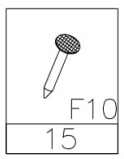
7



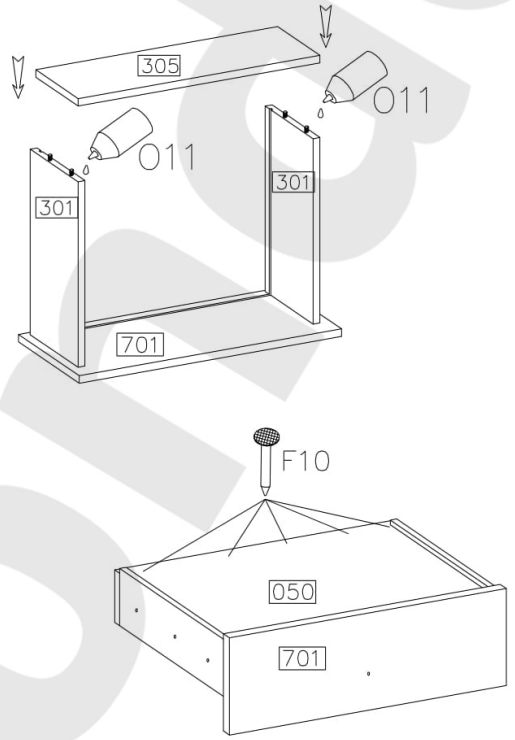
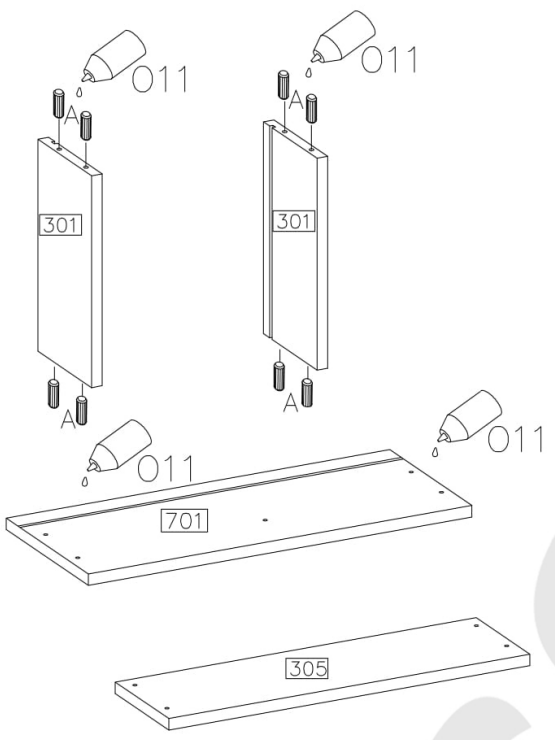
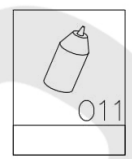
3x



8



3x



9

I4	∅4.0x16mm	S1	M4.0x23mm
3SZT	18	3	3

3x

