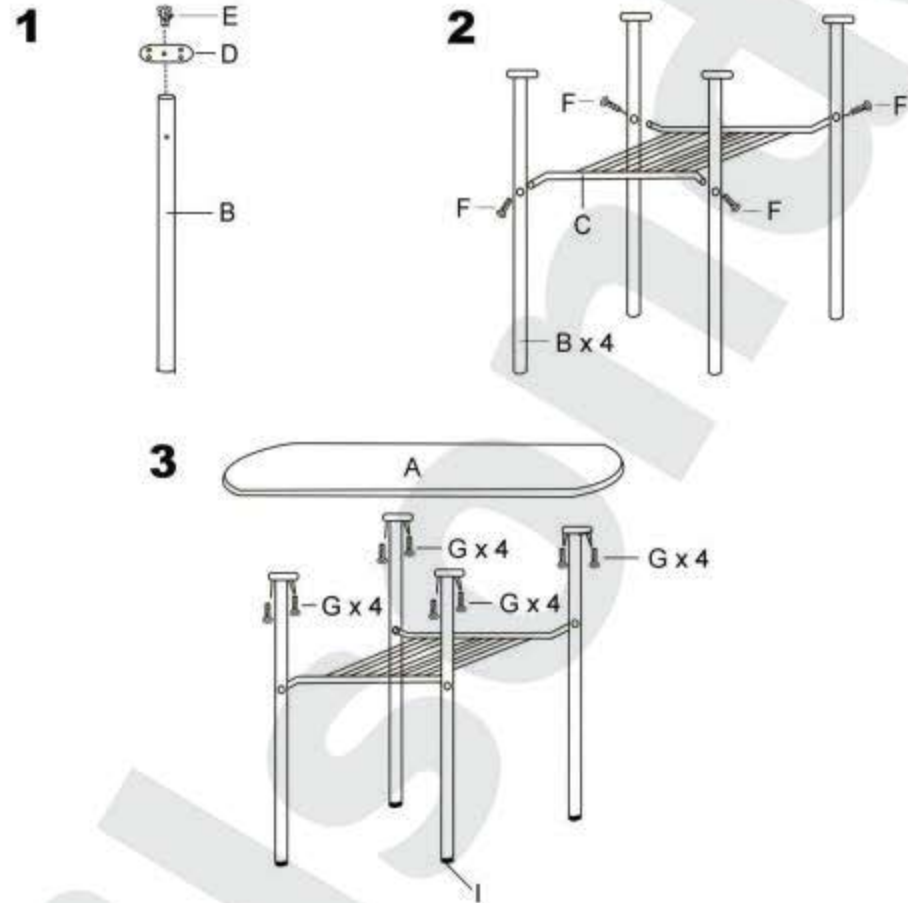
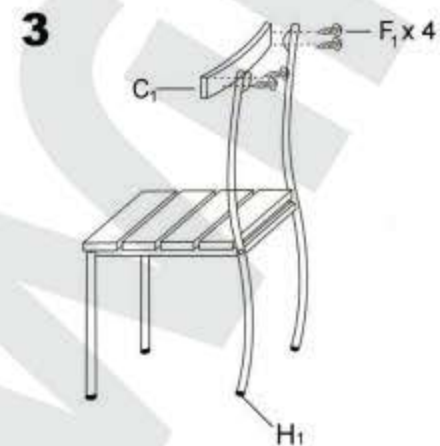
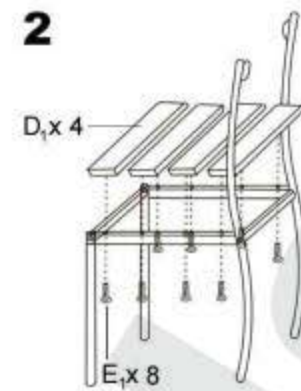
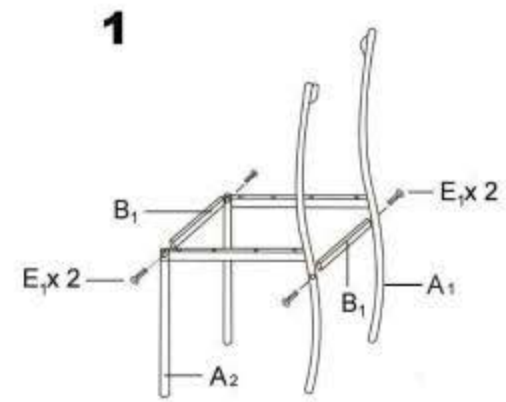


LANCE



A		1	E	 8 x 30mm	4
B		4	F	 6 x 25mm	4
C		1	G	 6 x 12mm	16
D		4	H		1



A ₁		2
A ₂		2
B ₁		4
C ₁		2
D ₁		8
E ₁	 6 x 40mm	24
F ₁	 4 x 14mm	8
G ₁		1