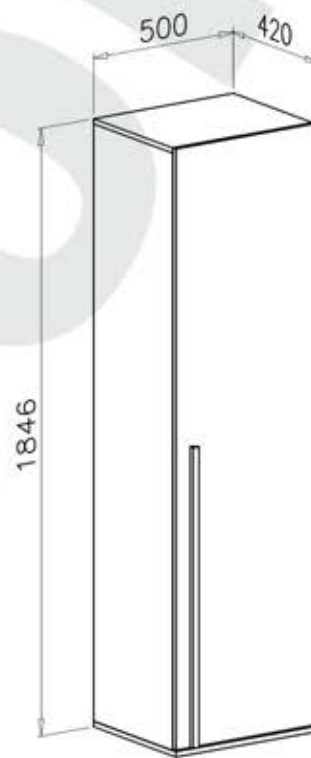
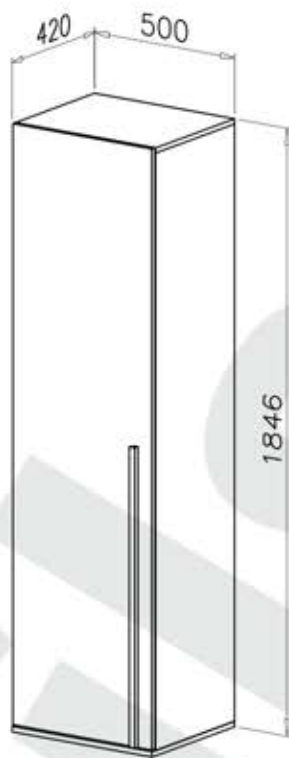
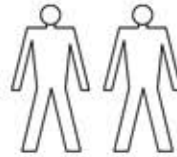
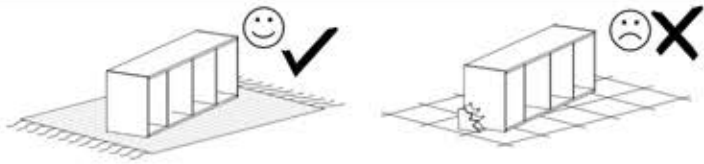
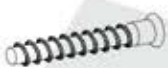


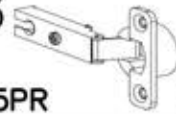
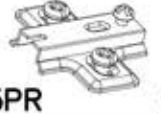


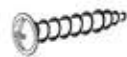




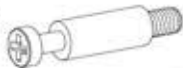


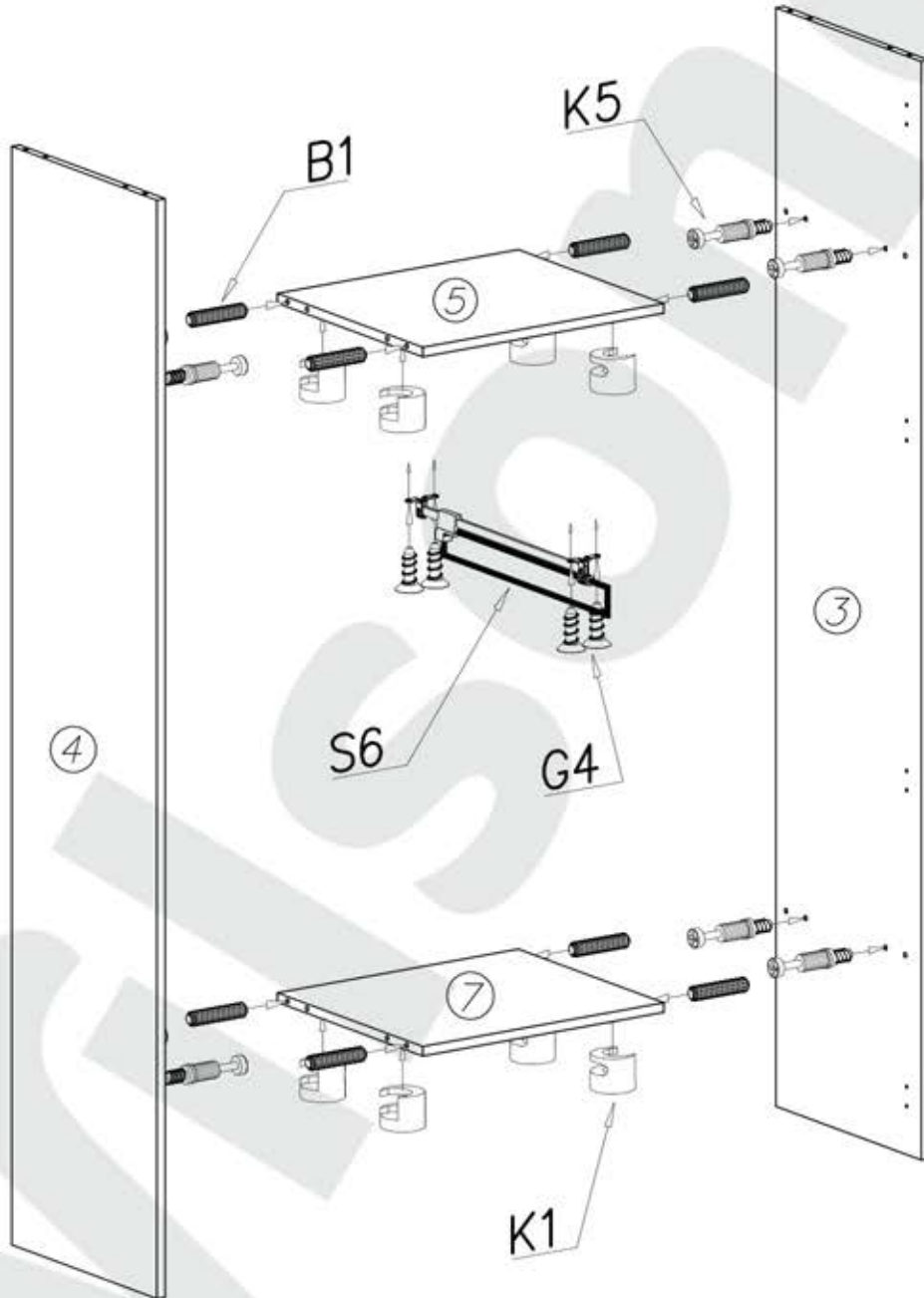
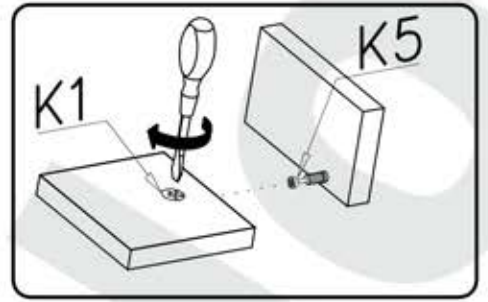
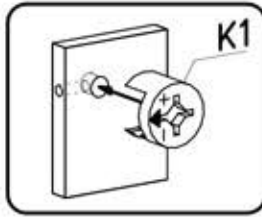
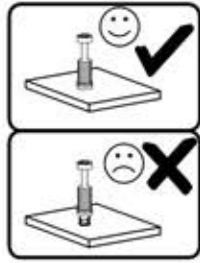
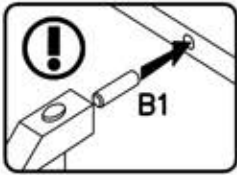


# MIRO

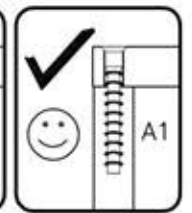
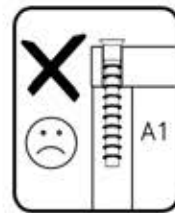
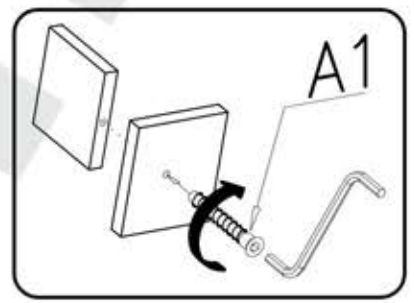
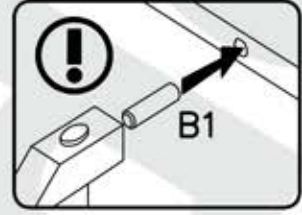


<b>A1</b>  $\varnothing 7 \times 50$ x8	<b>W2</b>  4mm x1	<b>E32</b>  910mm x1	<b>C3</b>  Z35PR x4	<b>D3</b>  PZ35PR x4
<b>I8</b>  $\varnothing 20$ x8	<b>M11</b>  x1	<b>G16</b>  4x27 x3	<b>S6</b>  x1	<b>P7</b>  x4
<b>K1</b>  $\varnothing 15 \times 12$ x8	<b>G4</b>  4x16 x14	<b>K5</b>  x8	<b>W4</b>  x50	<b>B1</b>  $\varnothing 8 \times 35$ x16

1

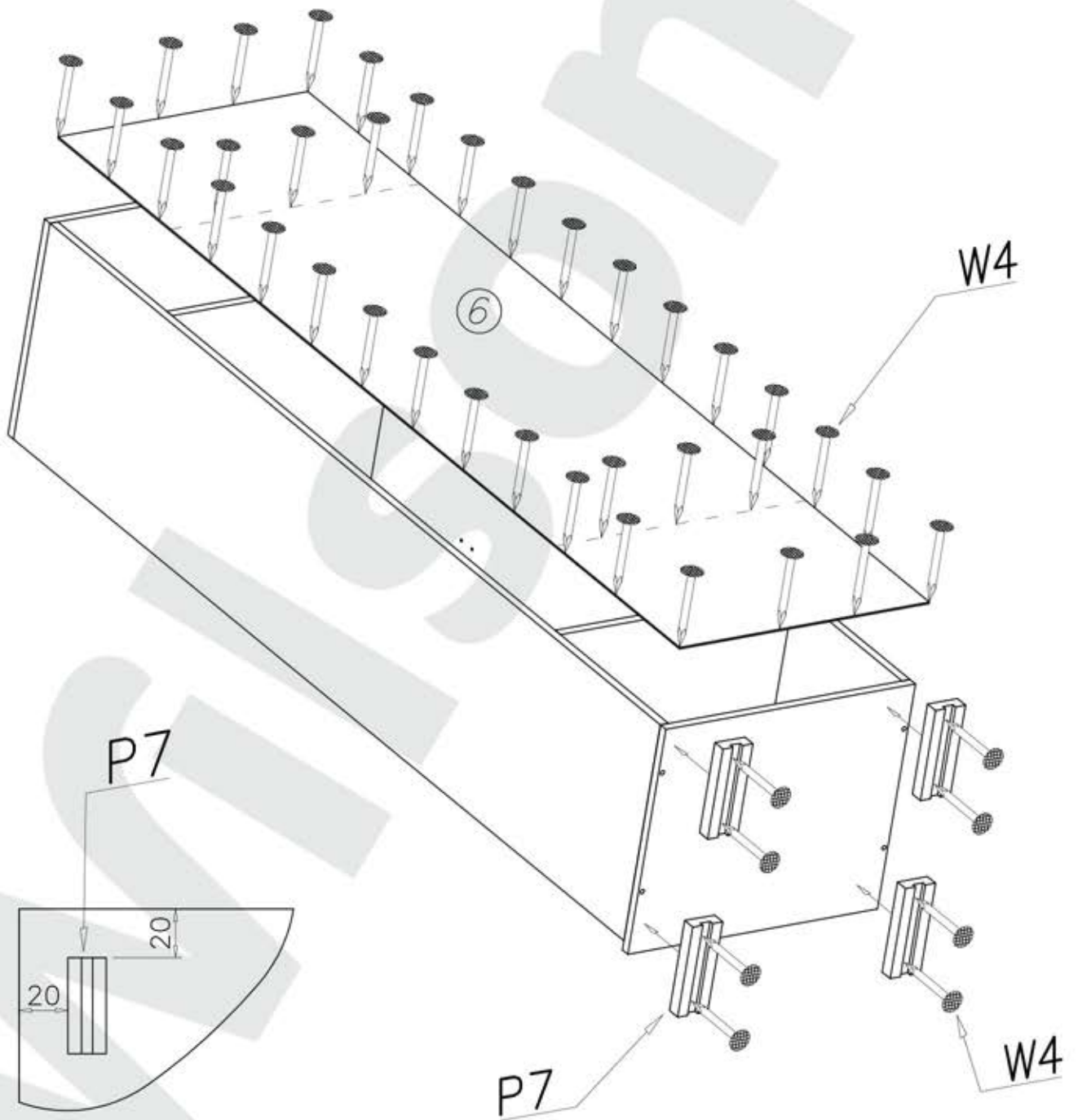
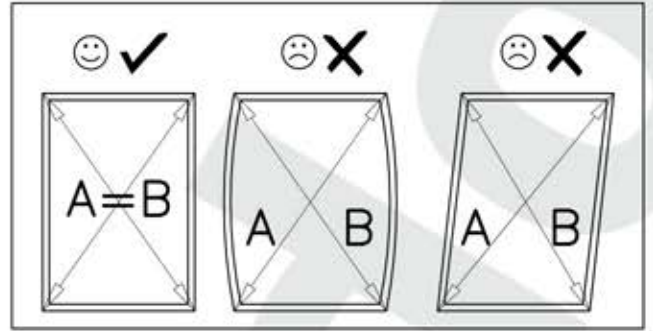
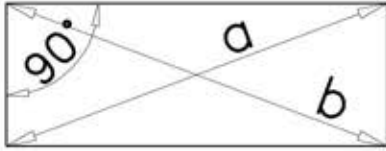


②

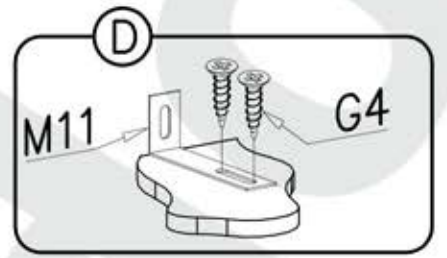
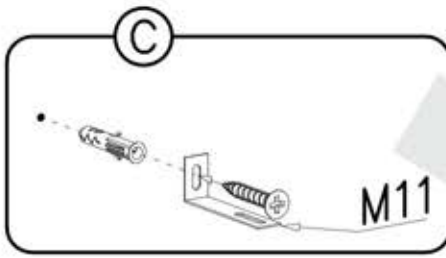
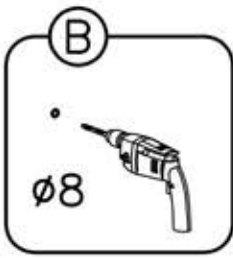
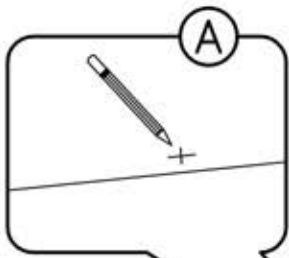


③

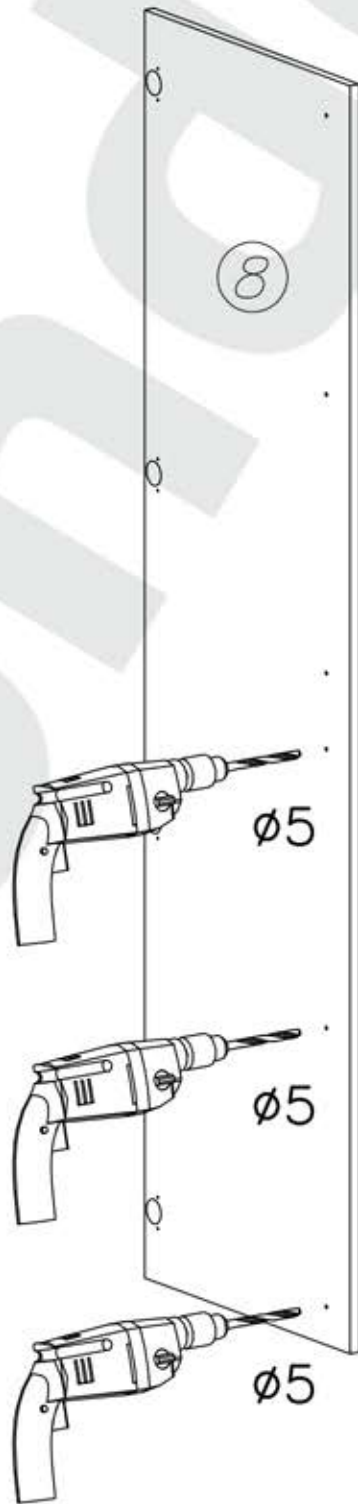
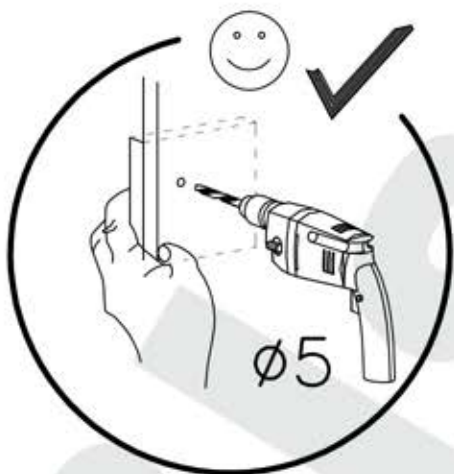
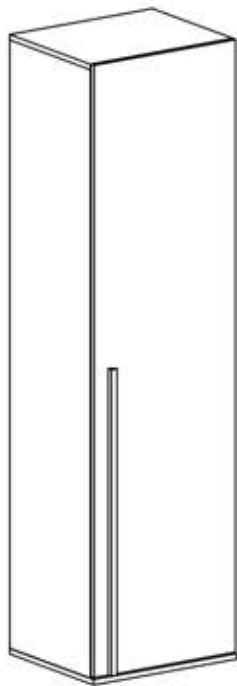
$$a=b$$



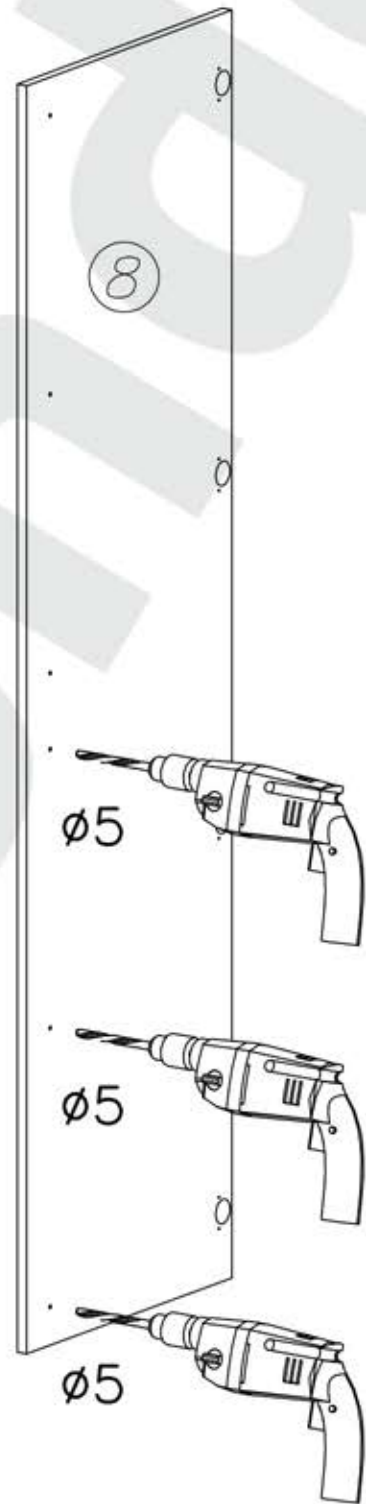
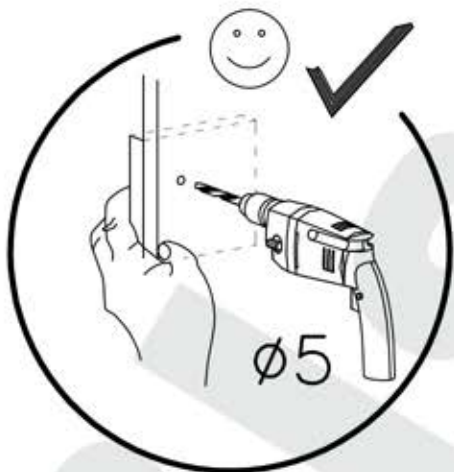
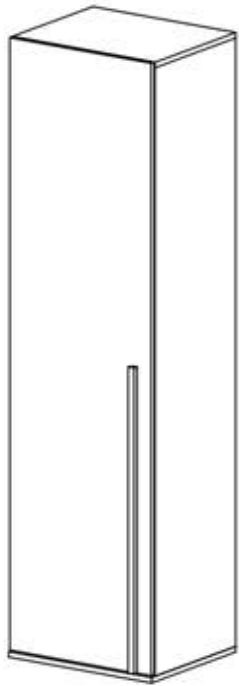
4



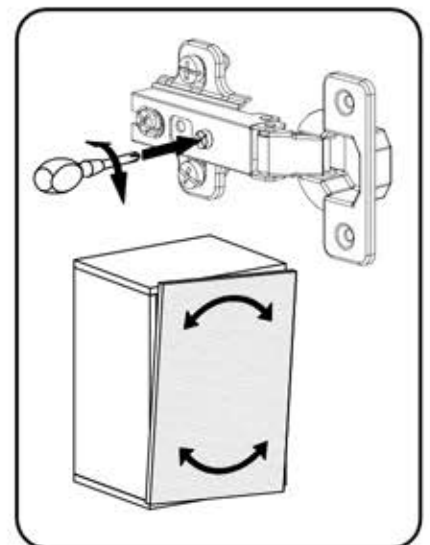
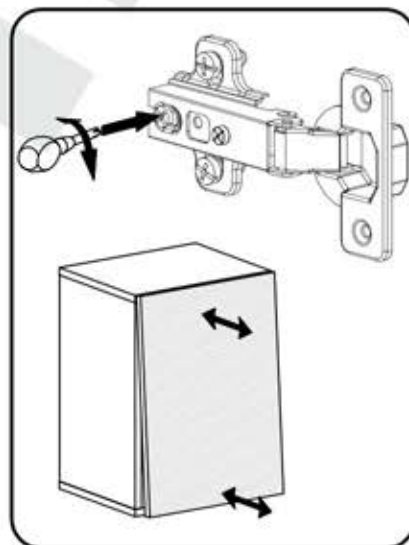
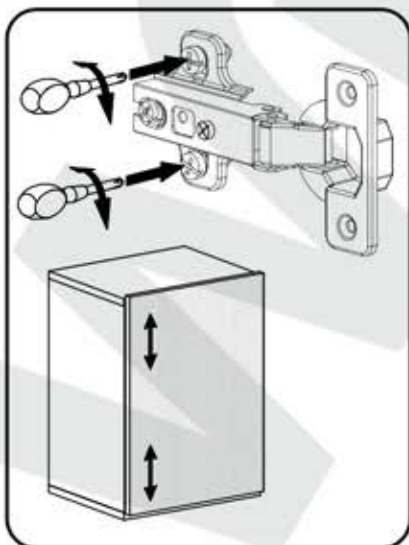
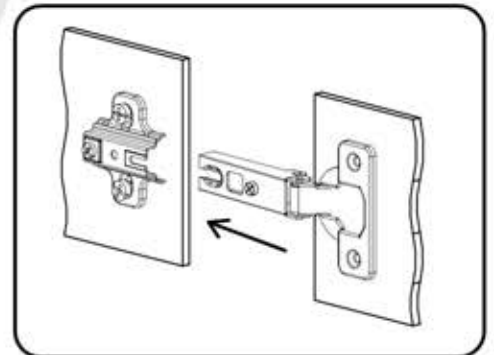
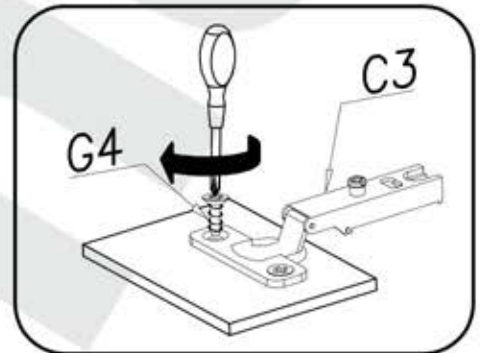
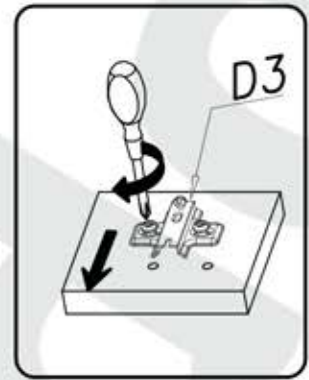
5



6



7





8

