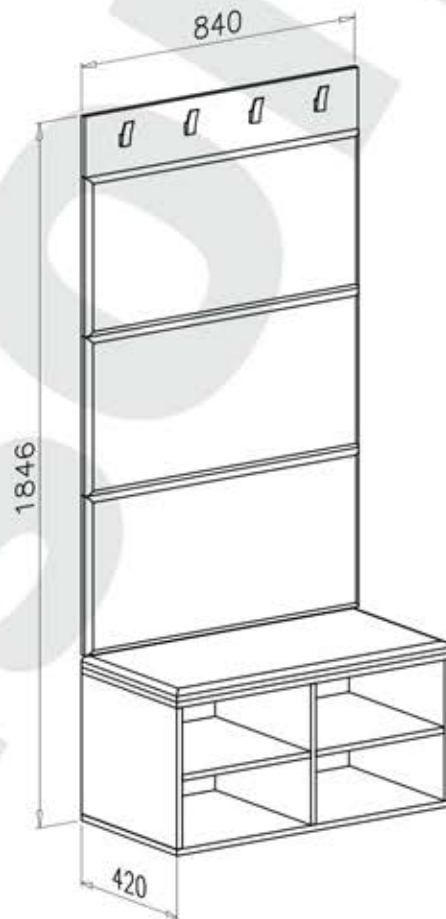
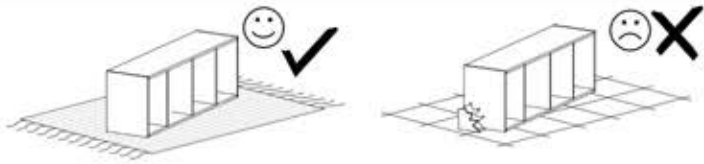
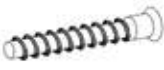






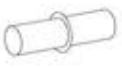





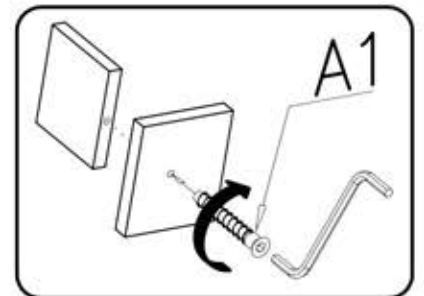
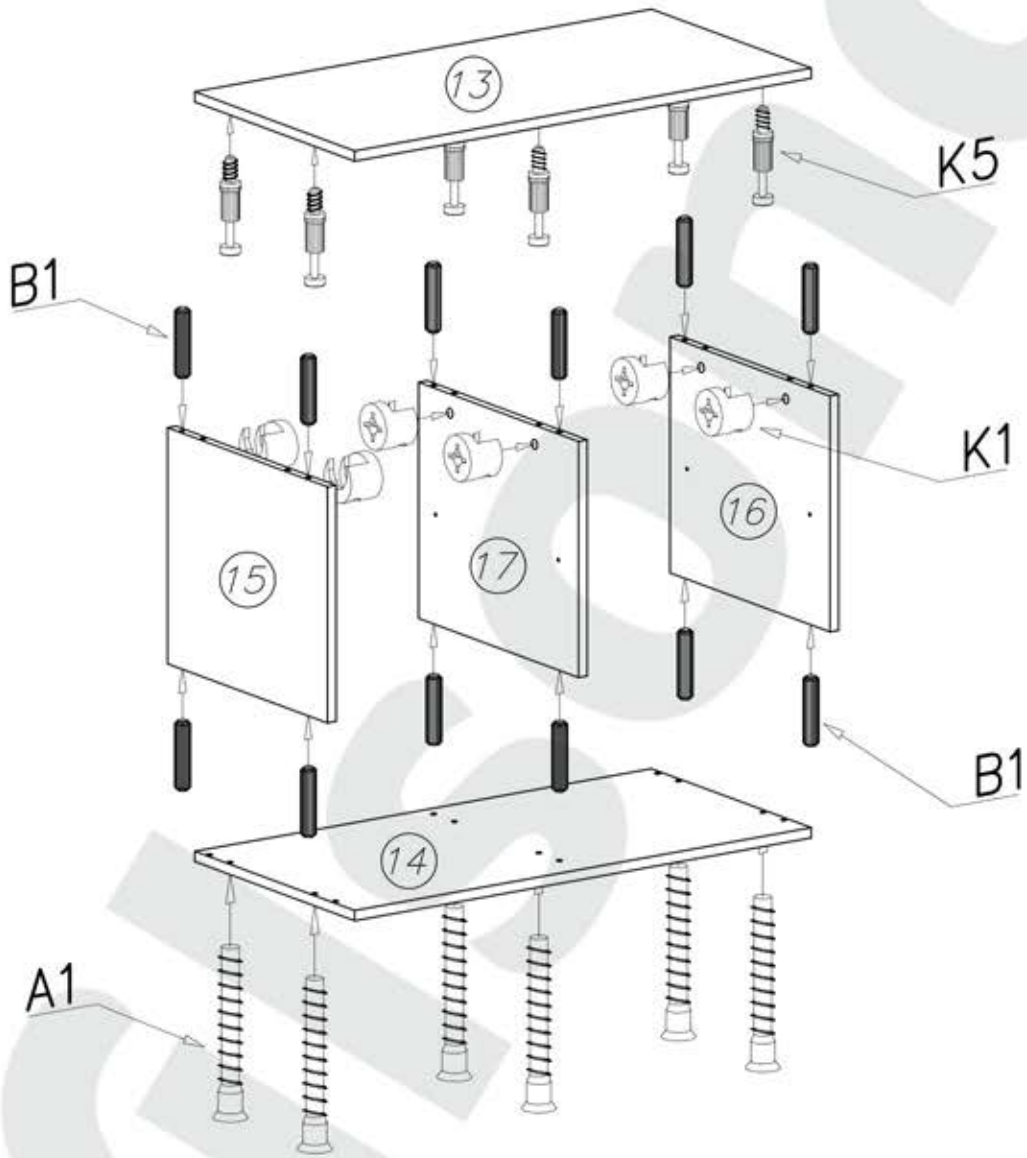
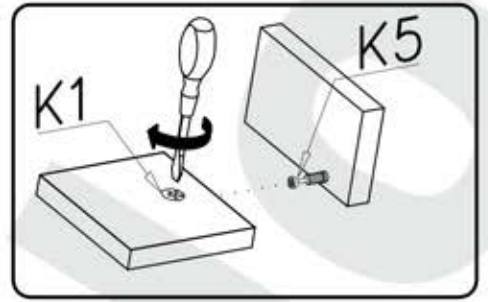
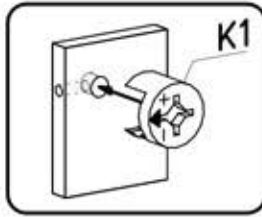
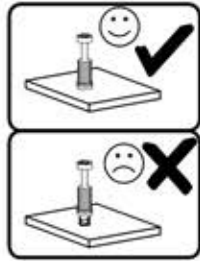
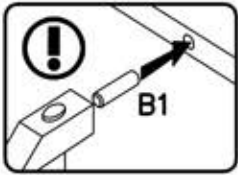


MIRO



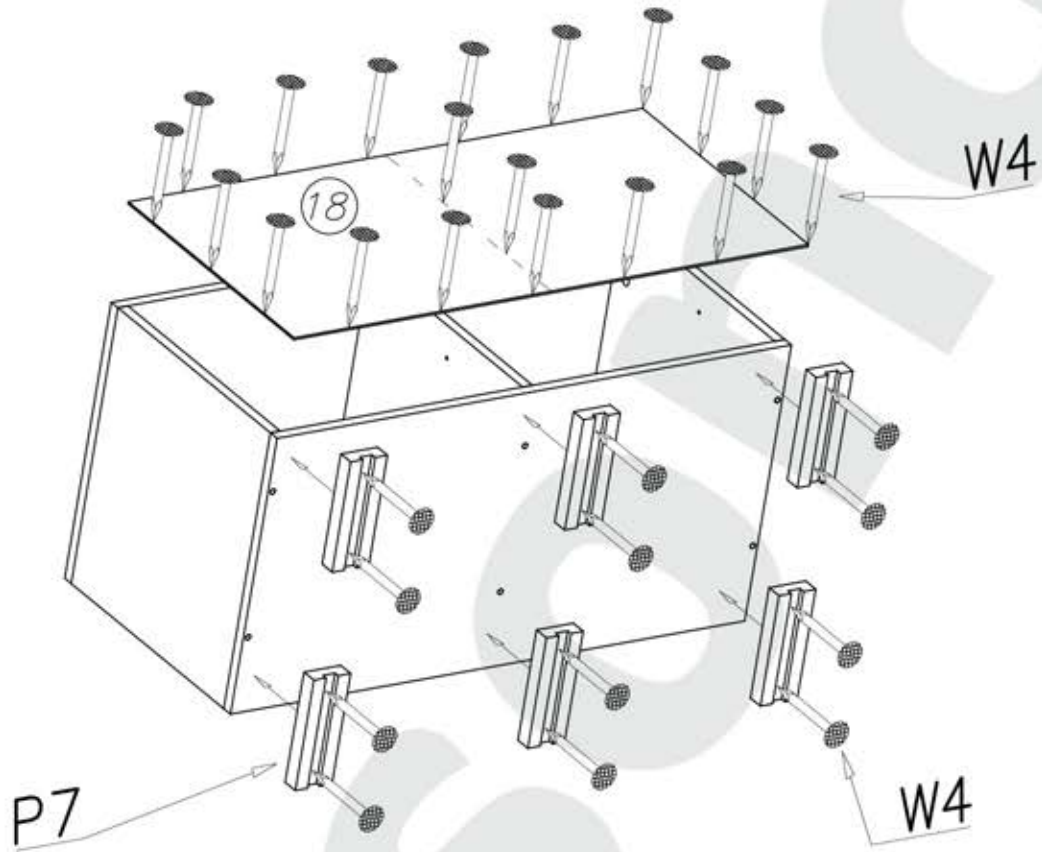
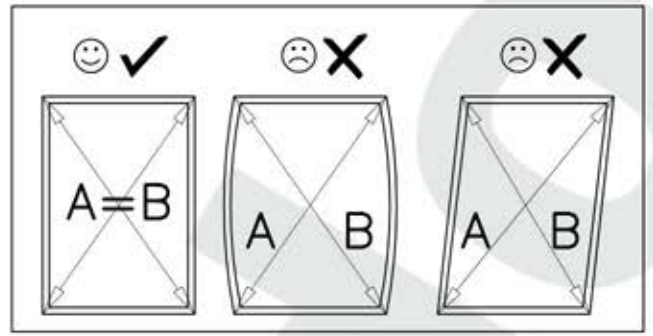
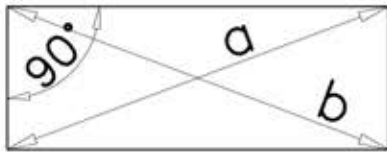
		A1  $\varnothing 7 \times 50$ x6	Q3  x4	N15  $M4 \times 22$ x4
W2  4mm x1	I8  $\varnothing 20$ x6	U1  x2	G20  5×13 x4	F2  x8
K1  $\varnothing 15 \times 12$ x6	P7  x6	K5  x6	W4  x25	B1  $\varnothing 8 \times 35$ x12

1



②

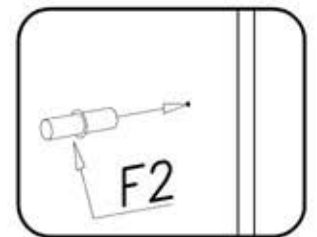
$$a = b$$



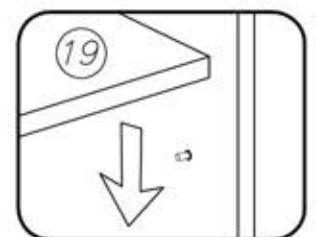
③



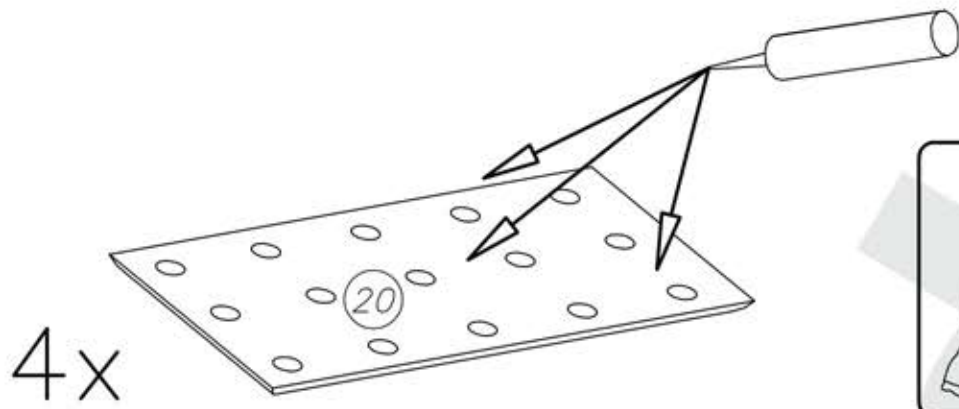
1



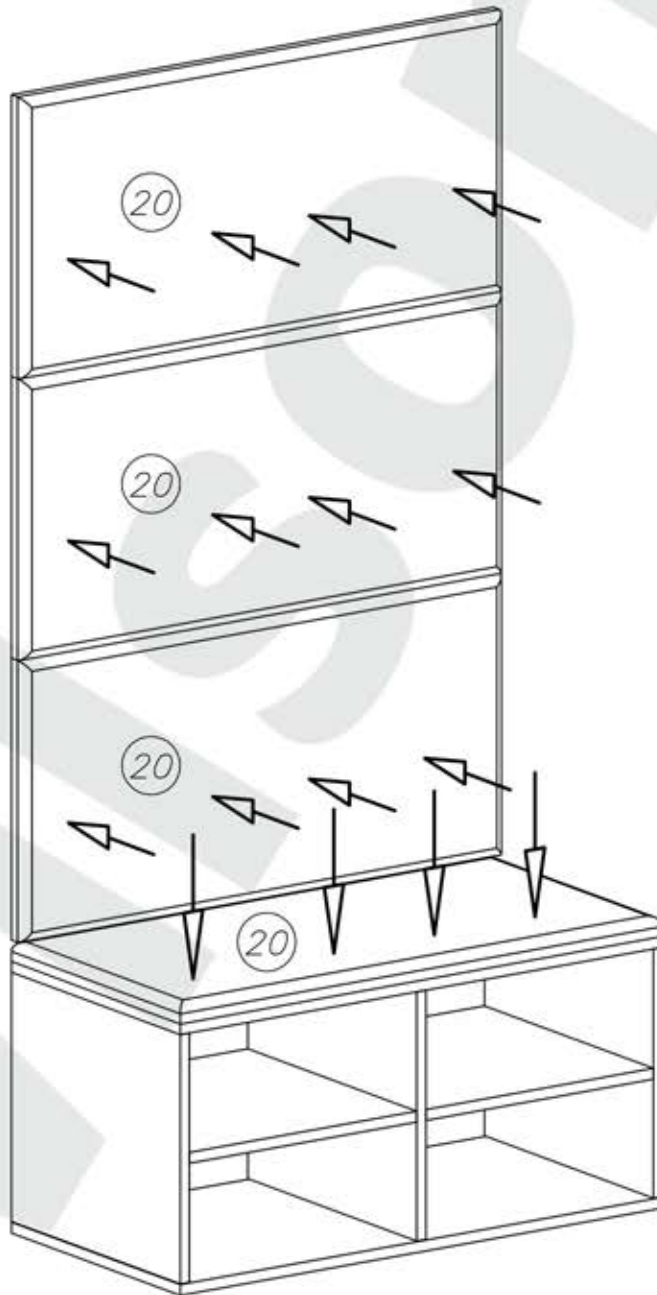
2



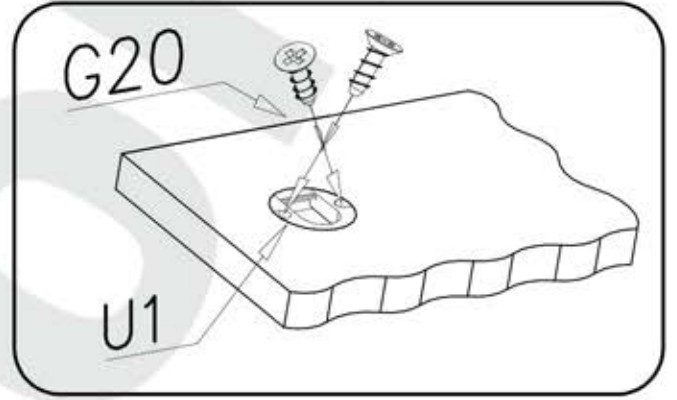
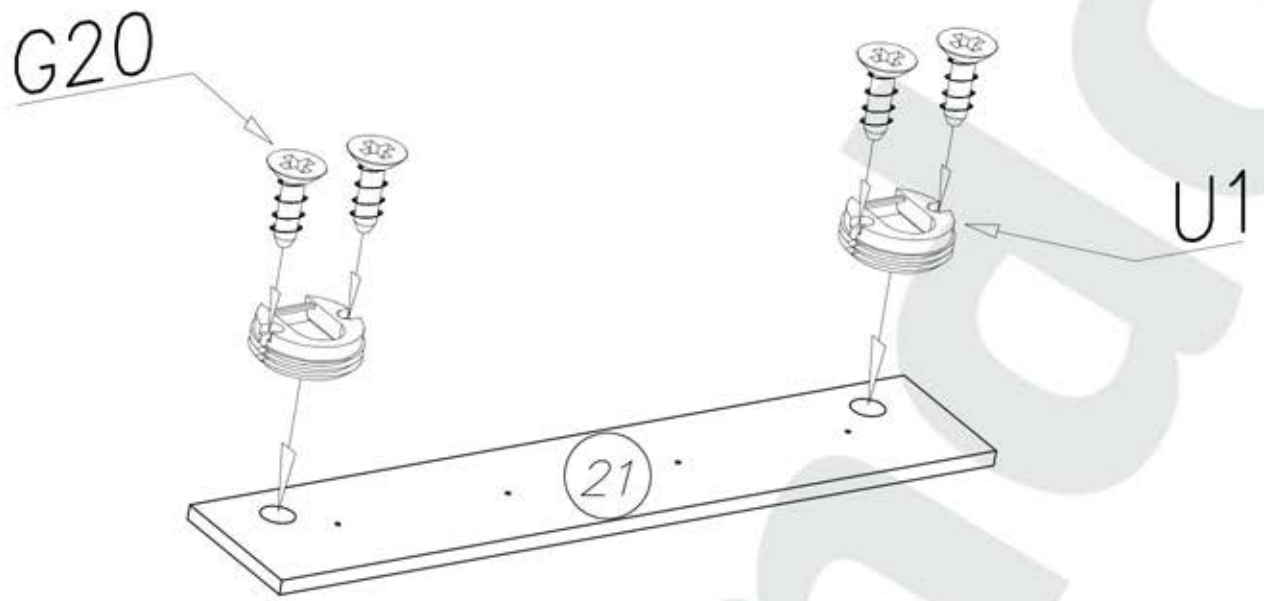
④



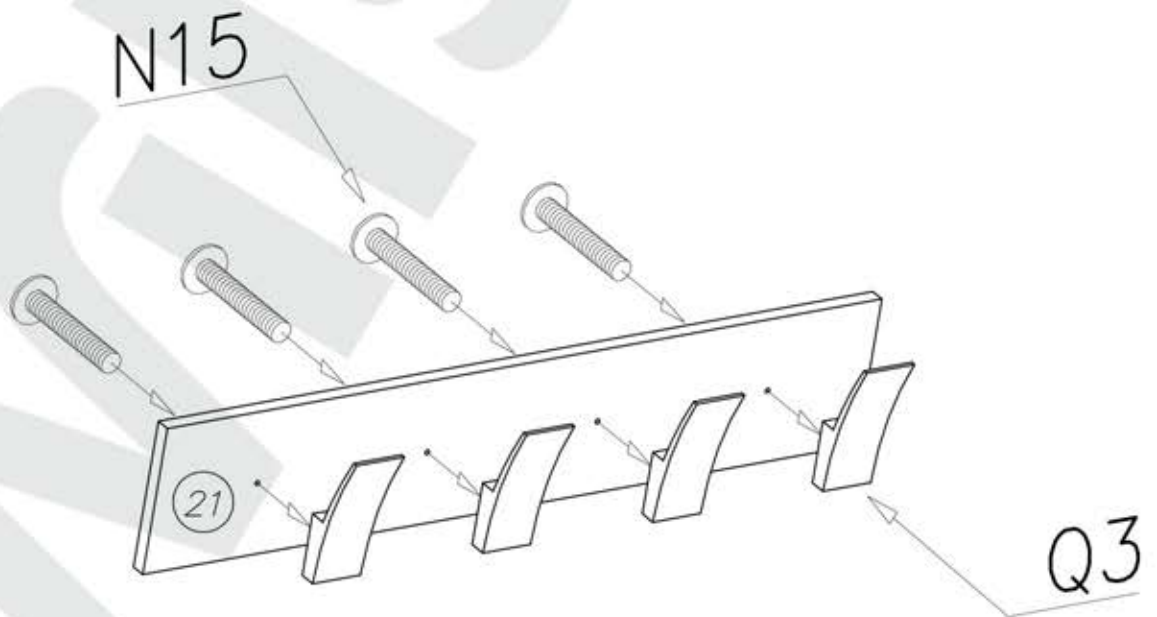
⑤



⑥



⑦



8

