
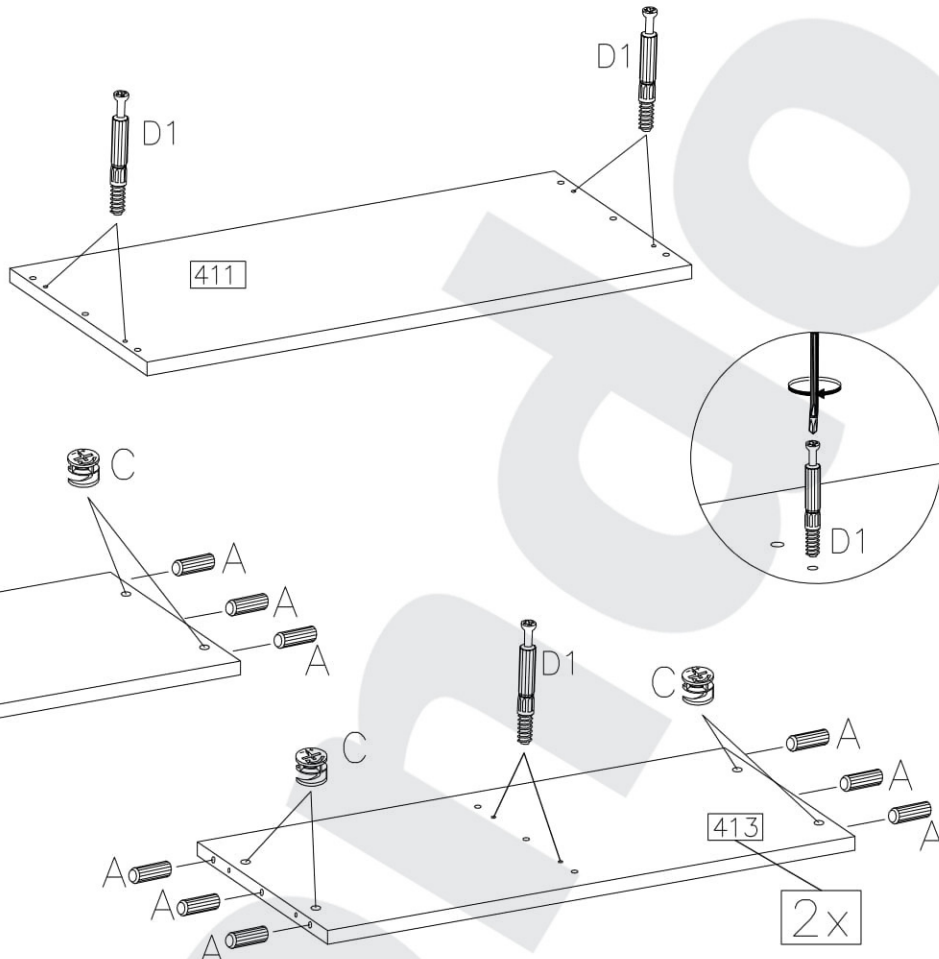






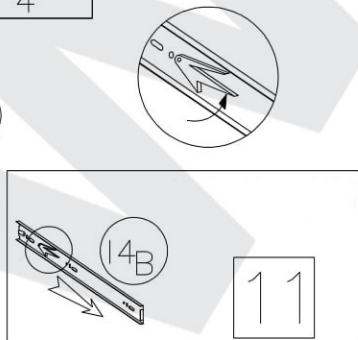
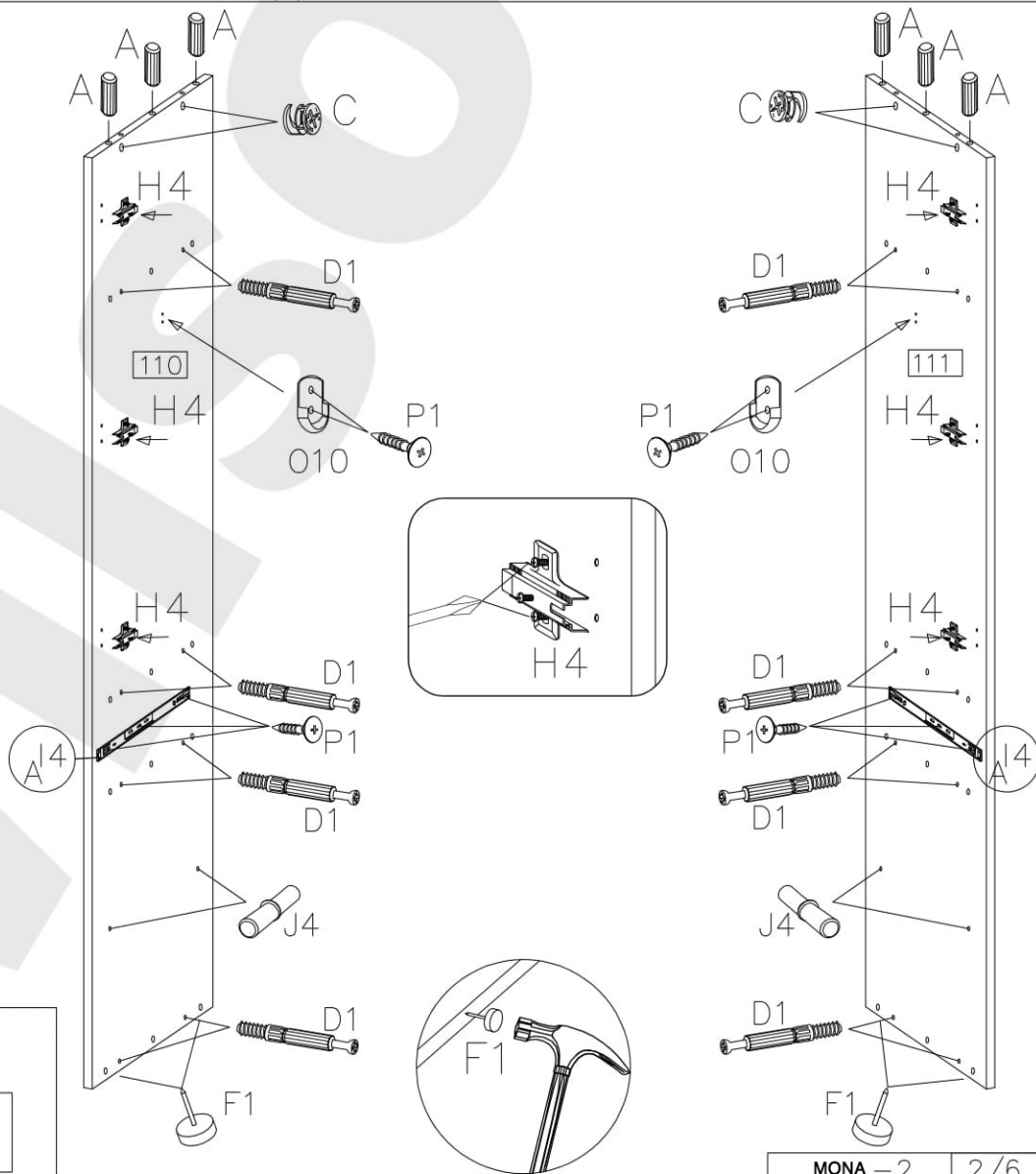
1

	$\varnothing 15/12\text{mm}$	$\varnothing 8 \times 30\text{mm}$
D1	C	A
8	16	24






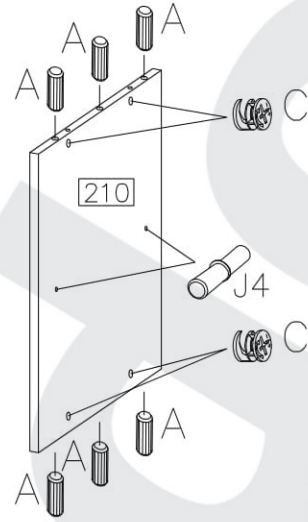
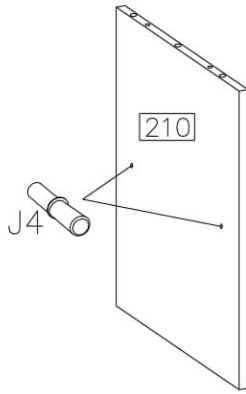
2

	$\varnothing 8 \times 30\text{mm}$
D1	A
16	6
$\varnothing 15/12\text{mm}$	L-350
C	I4
4	1SET
$\varnothing 4.0 \times 16\text{mm}$	
P1	O10
10	2
H=0	
H4	F1
6	4
	
J4	
4	

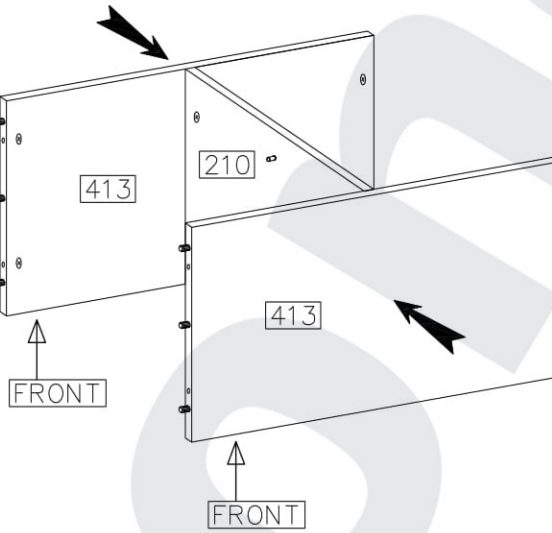
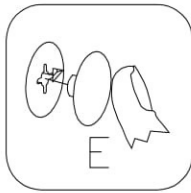
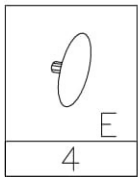


3



<p>ø15/12mm</p>  <p>C</p> <p>4</p>	<p>ø8x30mm</p>  <p>A</p> <p>6</p>
 <p>J4</p> <p>4</p>	

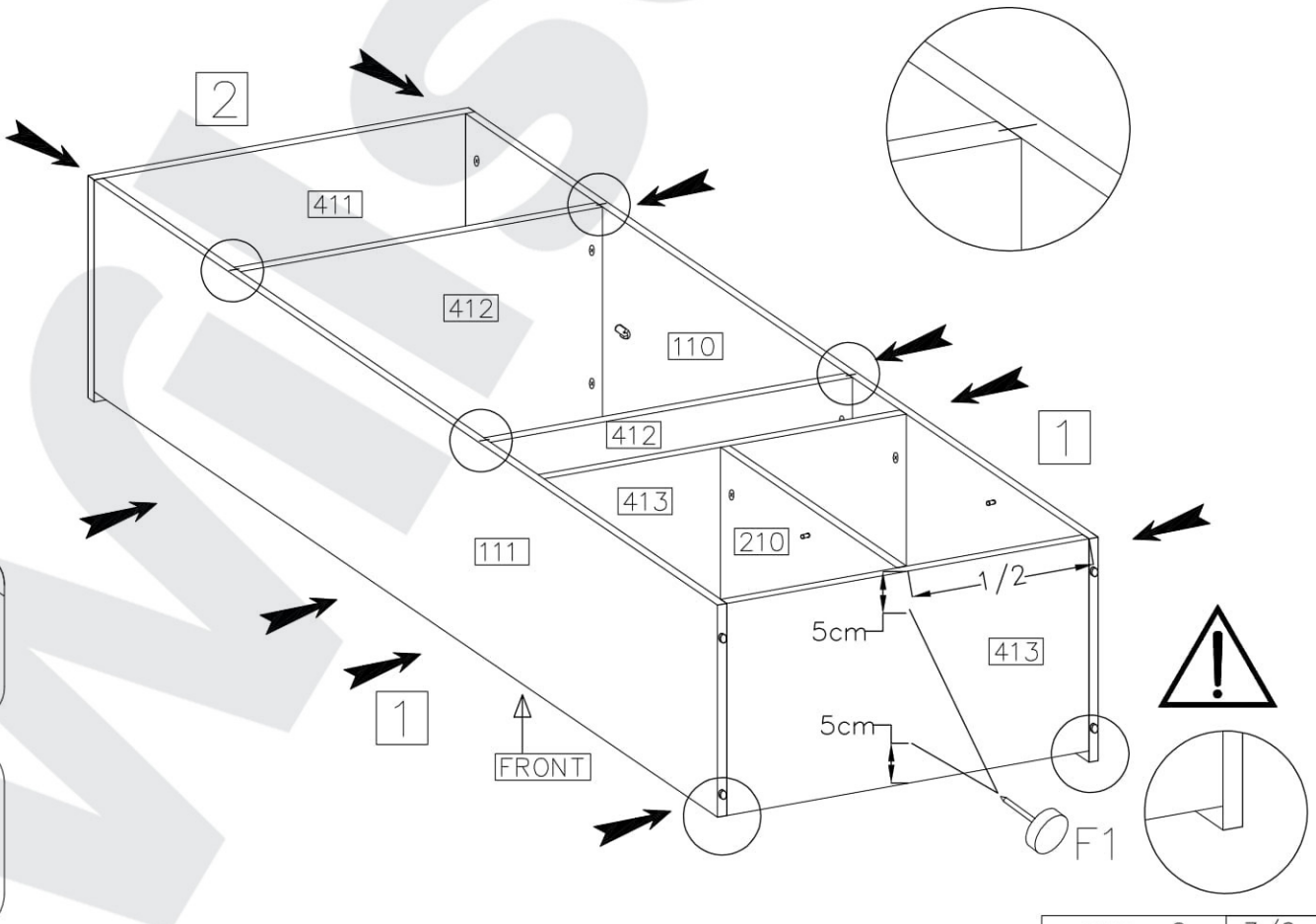


4

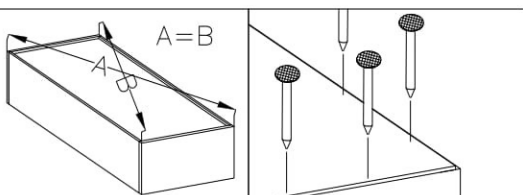
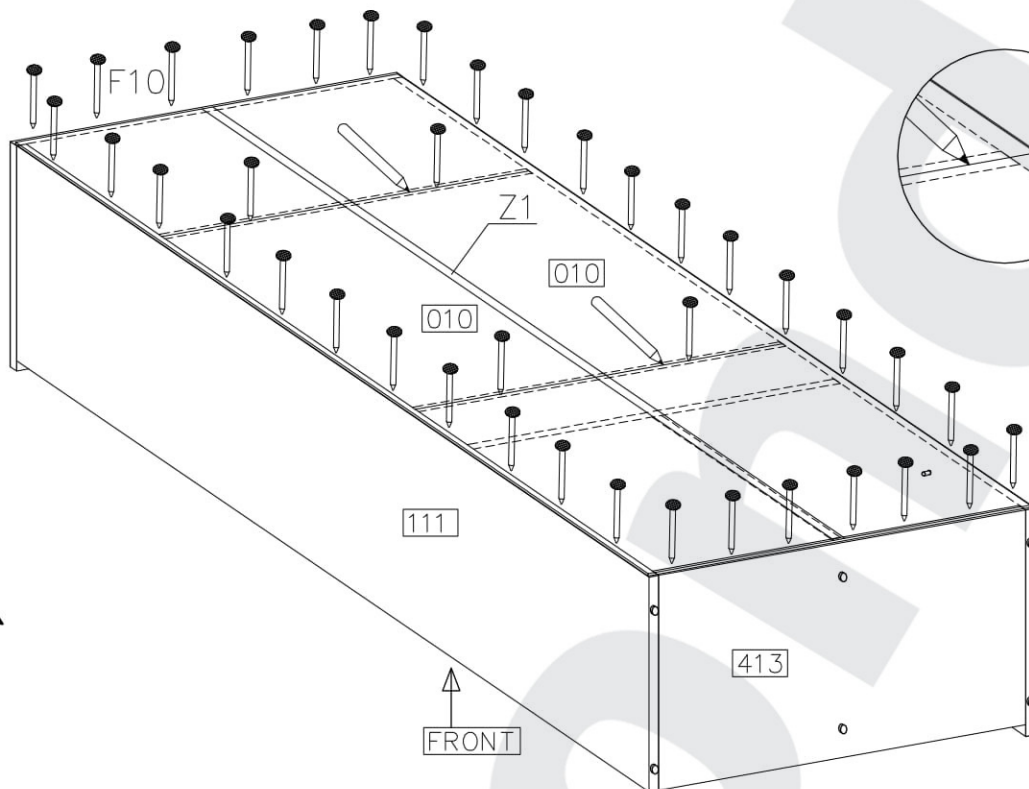
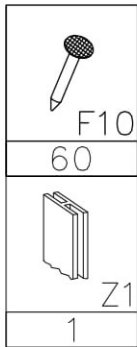
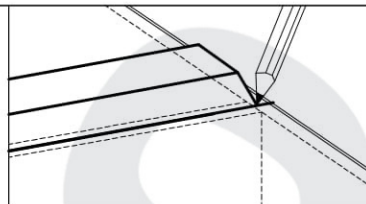
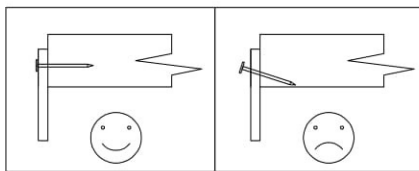


5

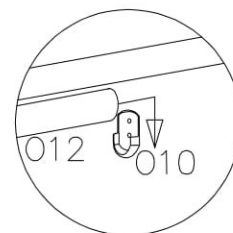
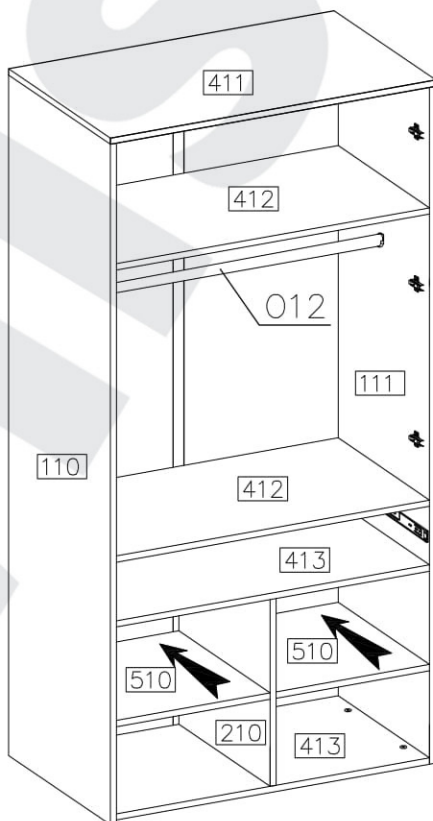
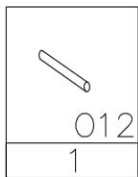
 <p>E</p> <p>20</p>
 <p>F1</p> <p>2</p>



6



7





8

∅8x30mm



A

8

∅15/12mm



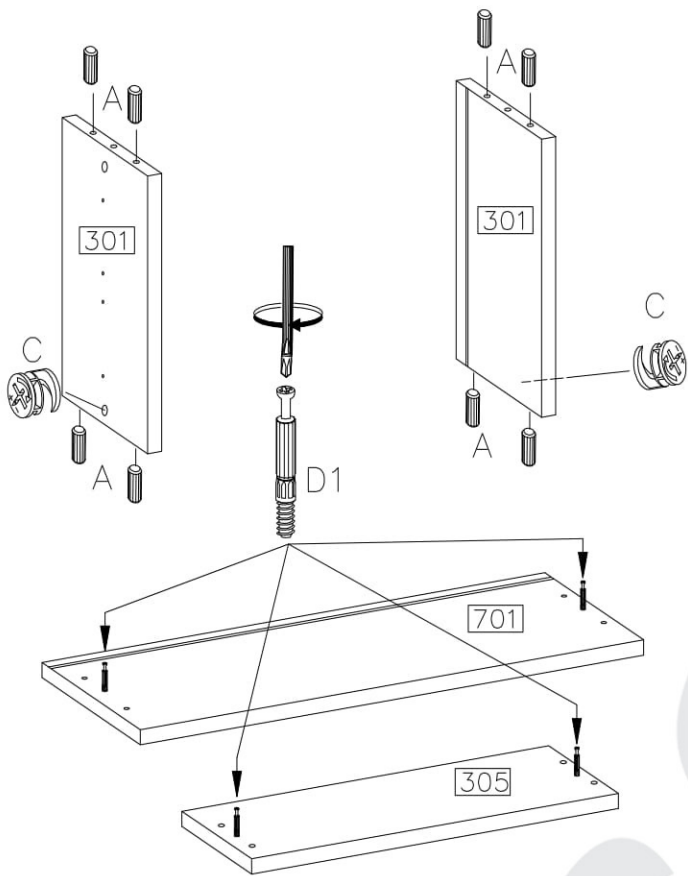
C

2



D1

4



9



F10

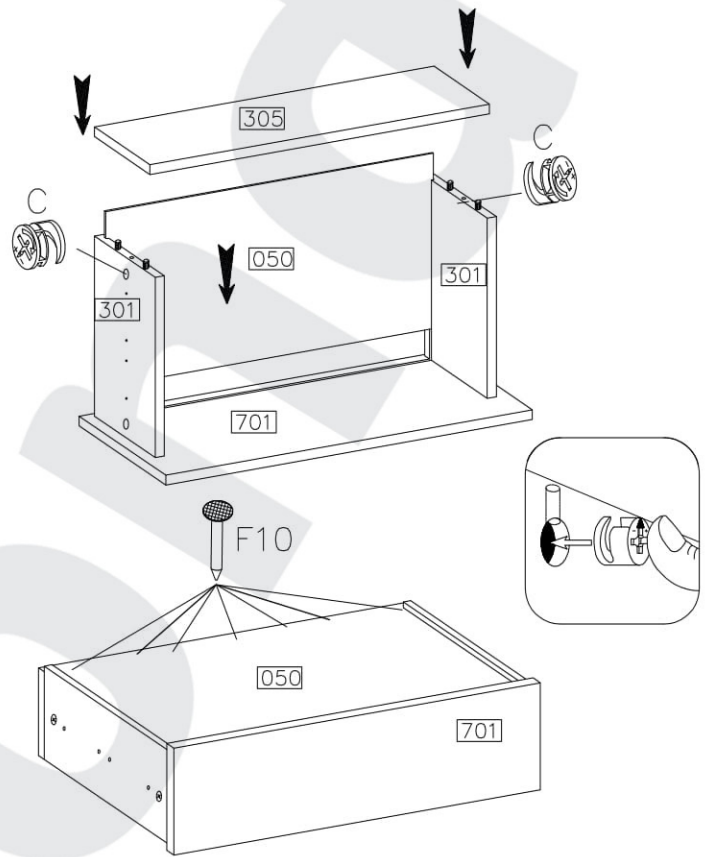
10

∅15/12mm



C

2



10

L-350



14

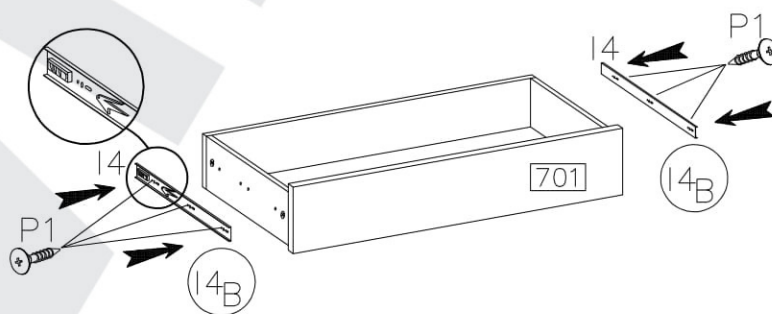
1SET

∅4.0x16mm

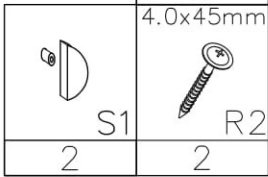
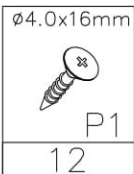
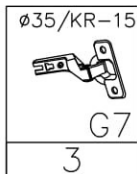
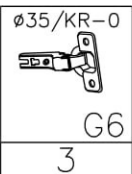


P1

6



1 1



2

