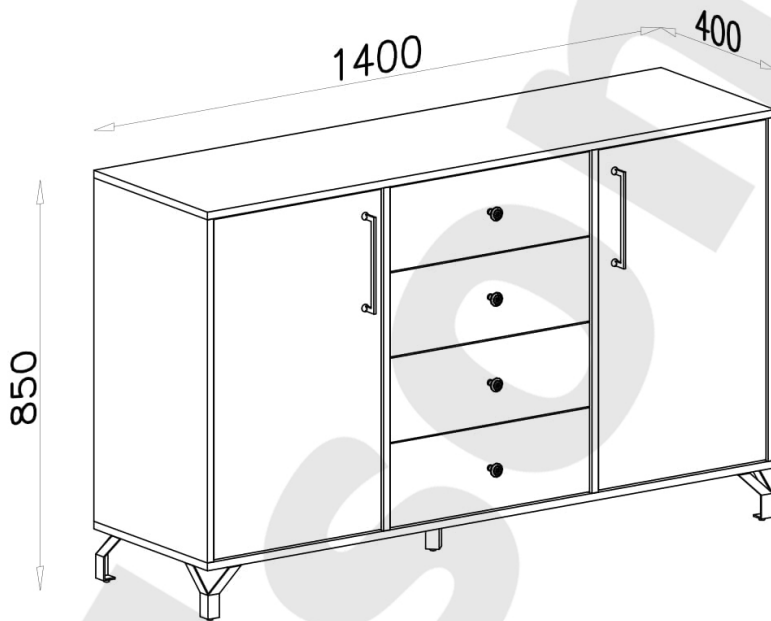
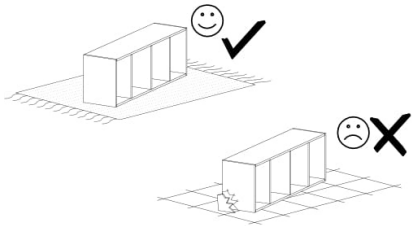
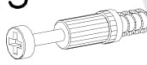

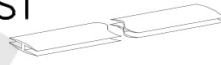




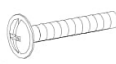

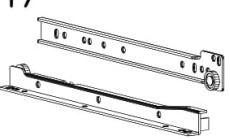



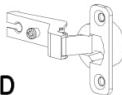


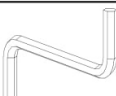


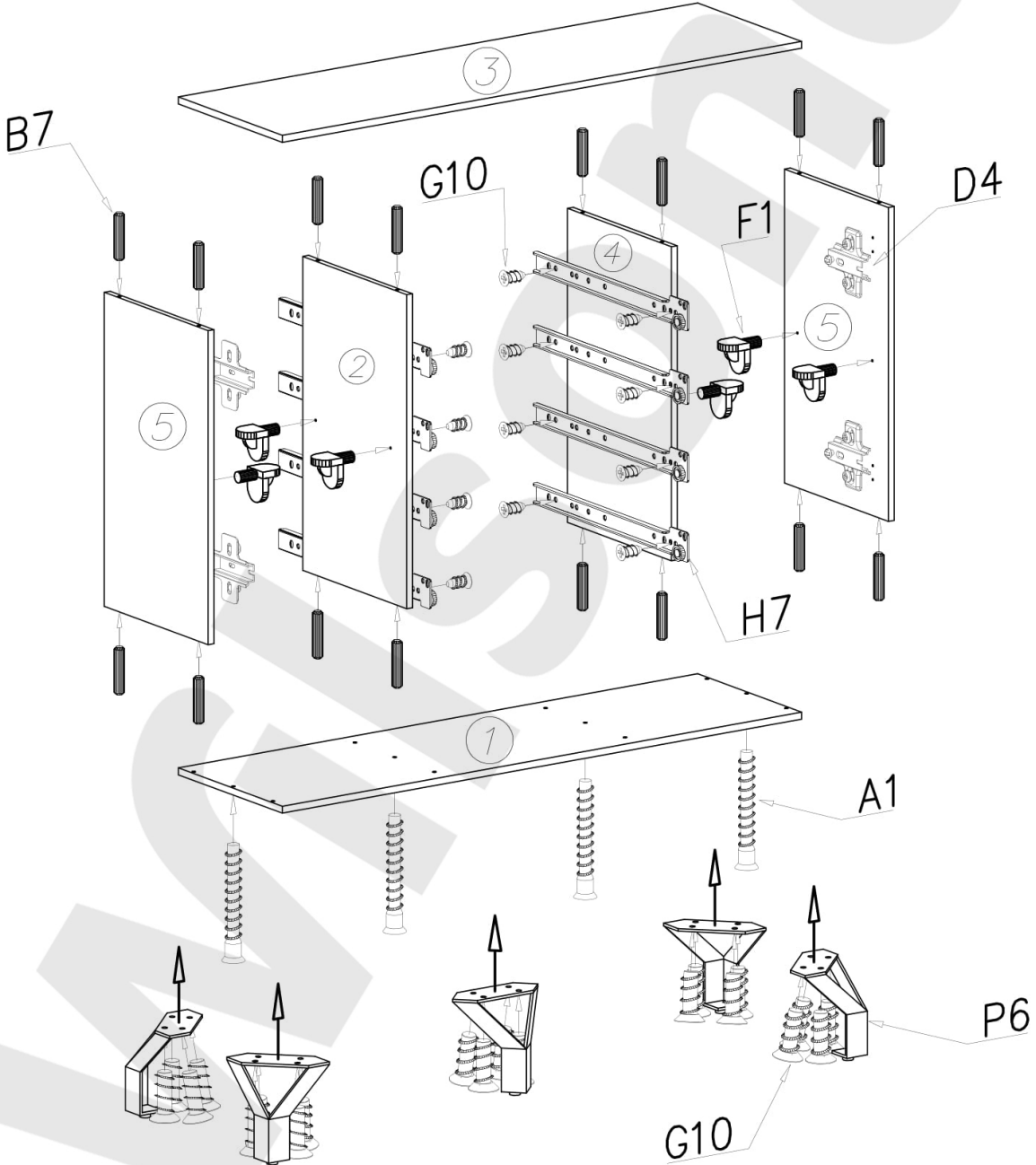
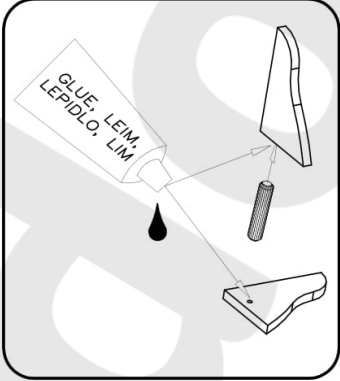


MILANO S6

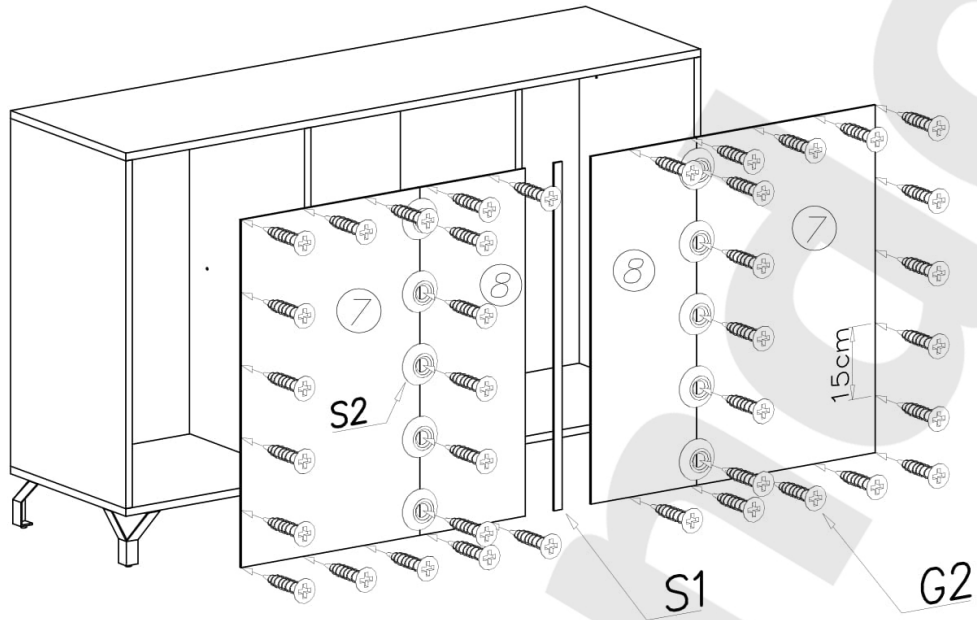


K15  x8	S2  x10	S1  716mm x1	E4  x2	E3  x4
P6  x5	W1  GLUE, LEIM, LEPIDLO, LIM x3	N13  M4x22 x8	D4  PZ350D x4	H7  350mm x4
K1  ø15x12 x8	G4  4x16 x32	G2  3x20 x55	C4  Z350D x4	350mm x4
A1  ø7x50 x4	B7  ø8x30 x48	W2  x1	F1  x8	G10  6x13 x36

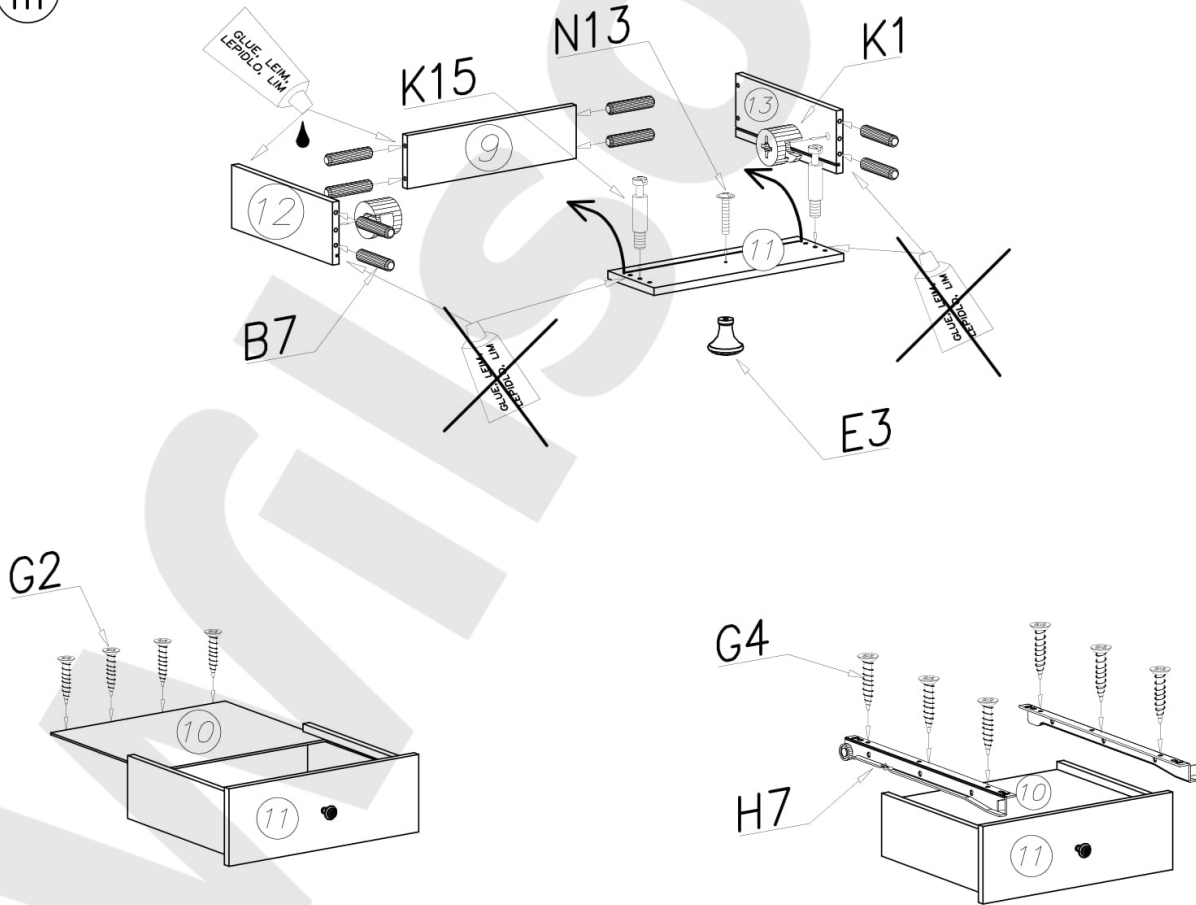
1



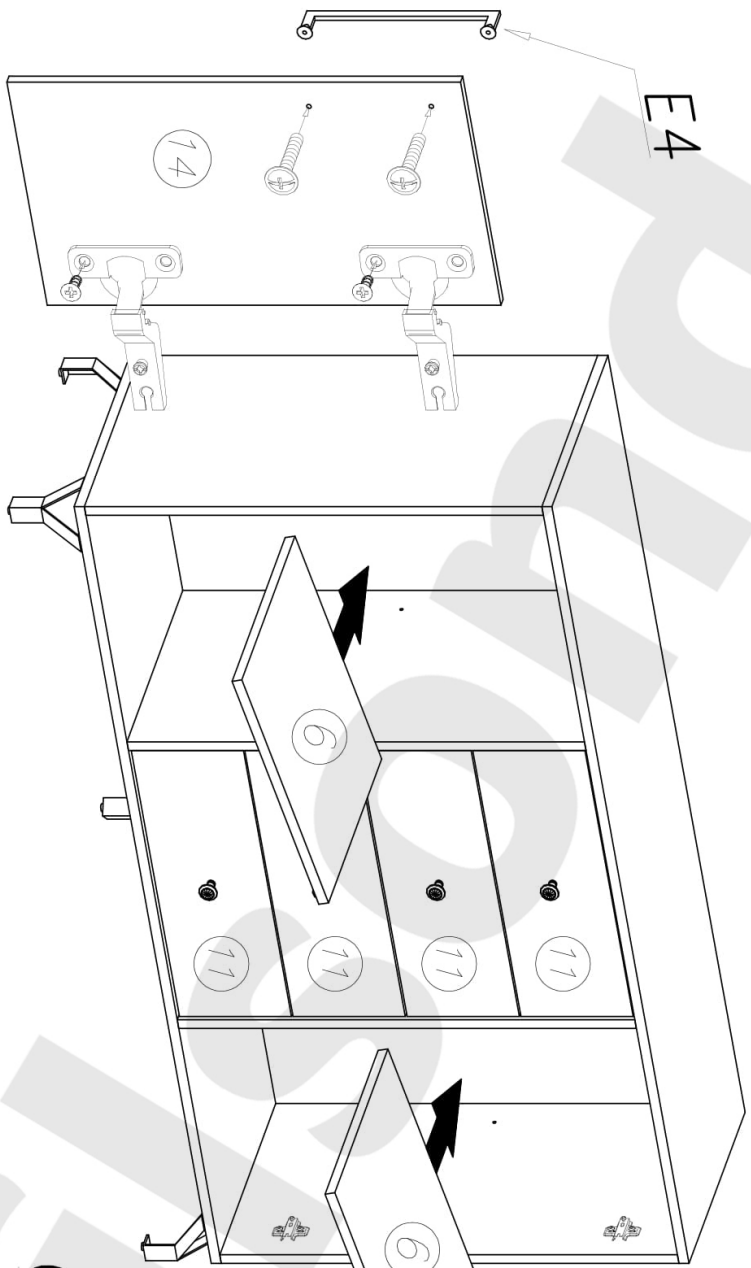
II



III



IV



E4

14

6

11

11

11

11

6

G4

C4

15

N13

