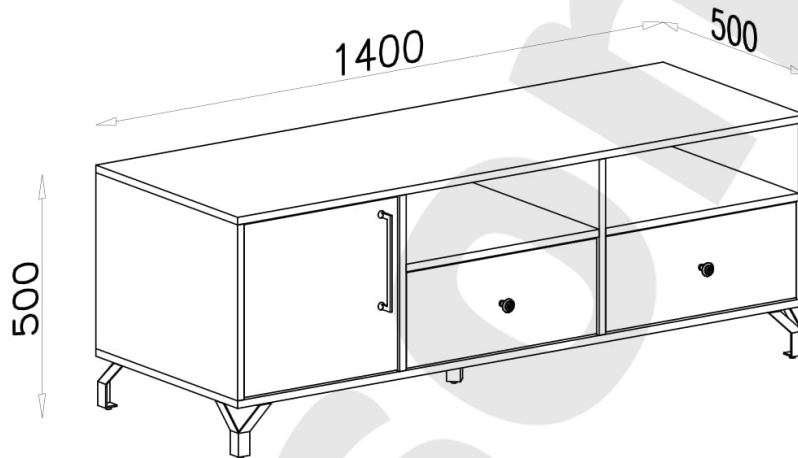
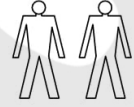
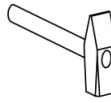
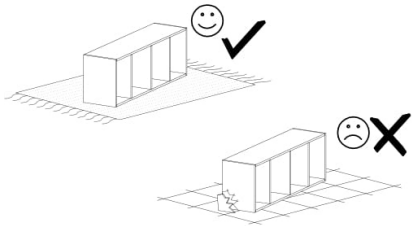
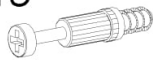




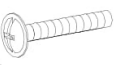

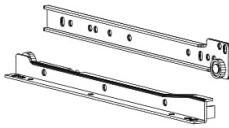


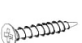
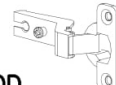





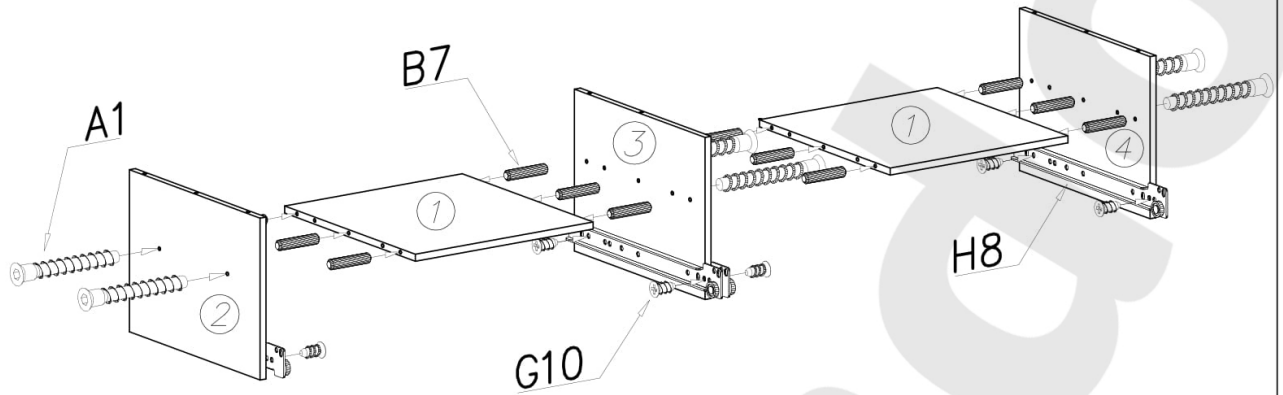


# MILANO S8

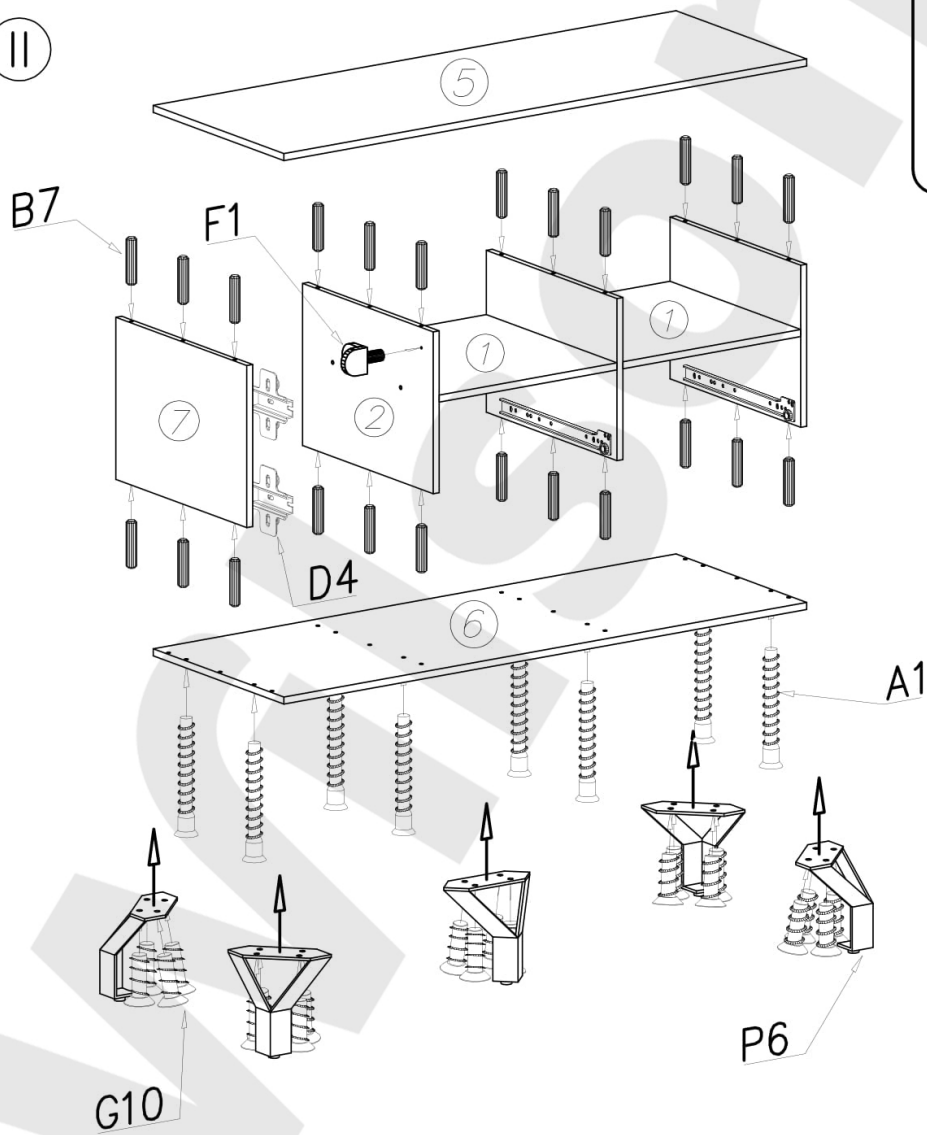


		K15  x4	E4  x1	E3  x2
K1  ø15x12 x4	W1  GLUE, LEIM, LEPIDLO, LIM x3	N13  M4x22 x4	D4  PZ350D x2	H8  400mm x2
P6  x5	G4  4x16 x16	G2  3x20 x40	C4  Z350D x2	
A1  ø7x50 x14	B7  ø8x30 x52	W2  x1	F1  x1	G10  6x13 x28

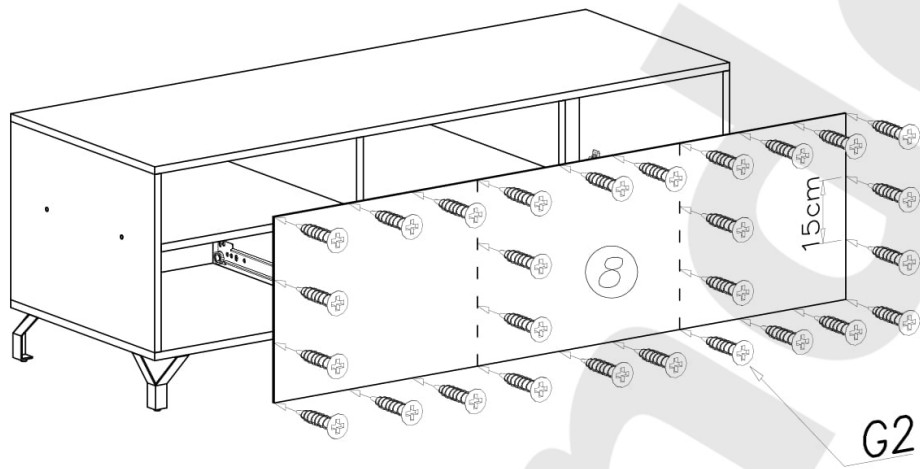
I



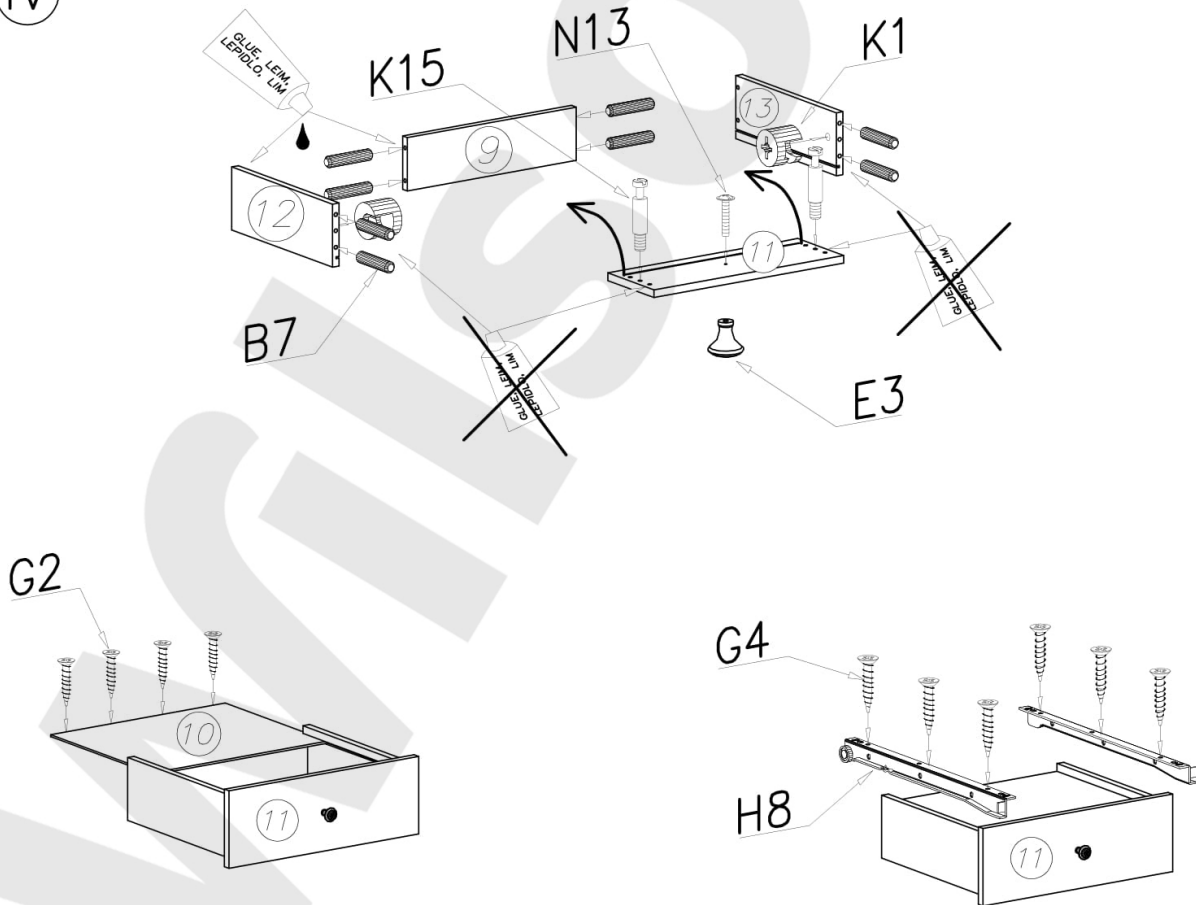
II



III



IV



V

