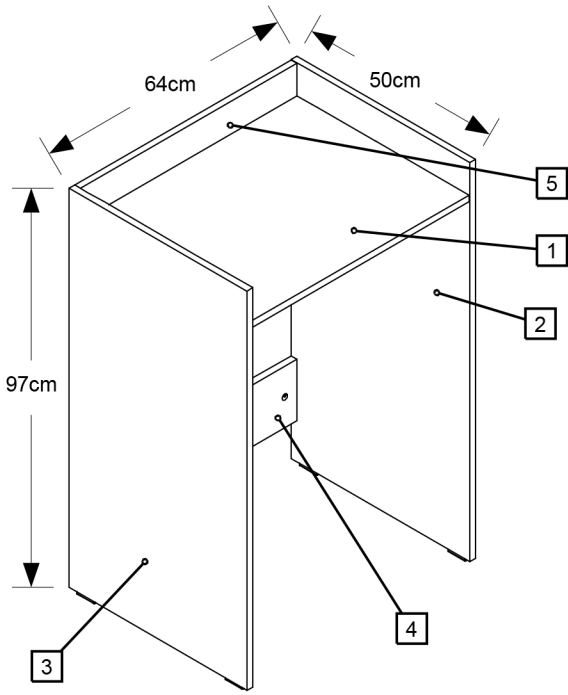
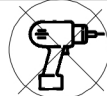
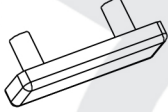

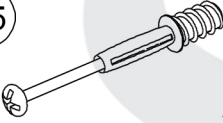

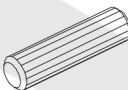

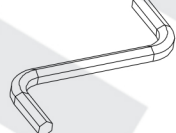

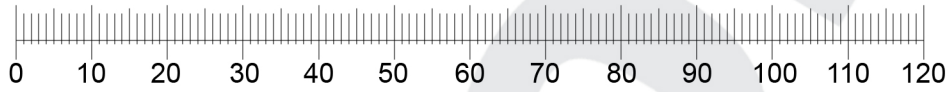


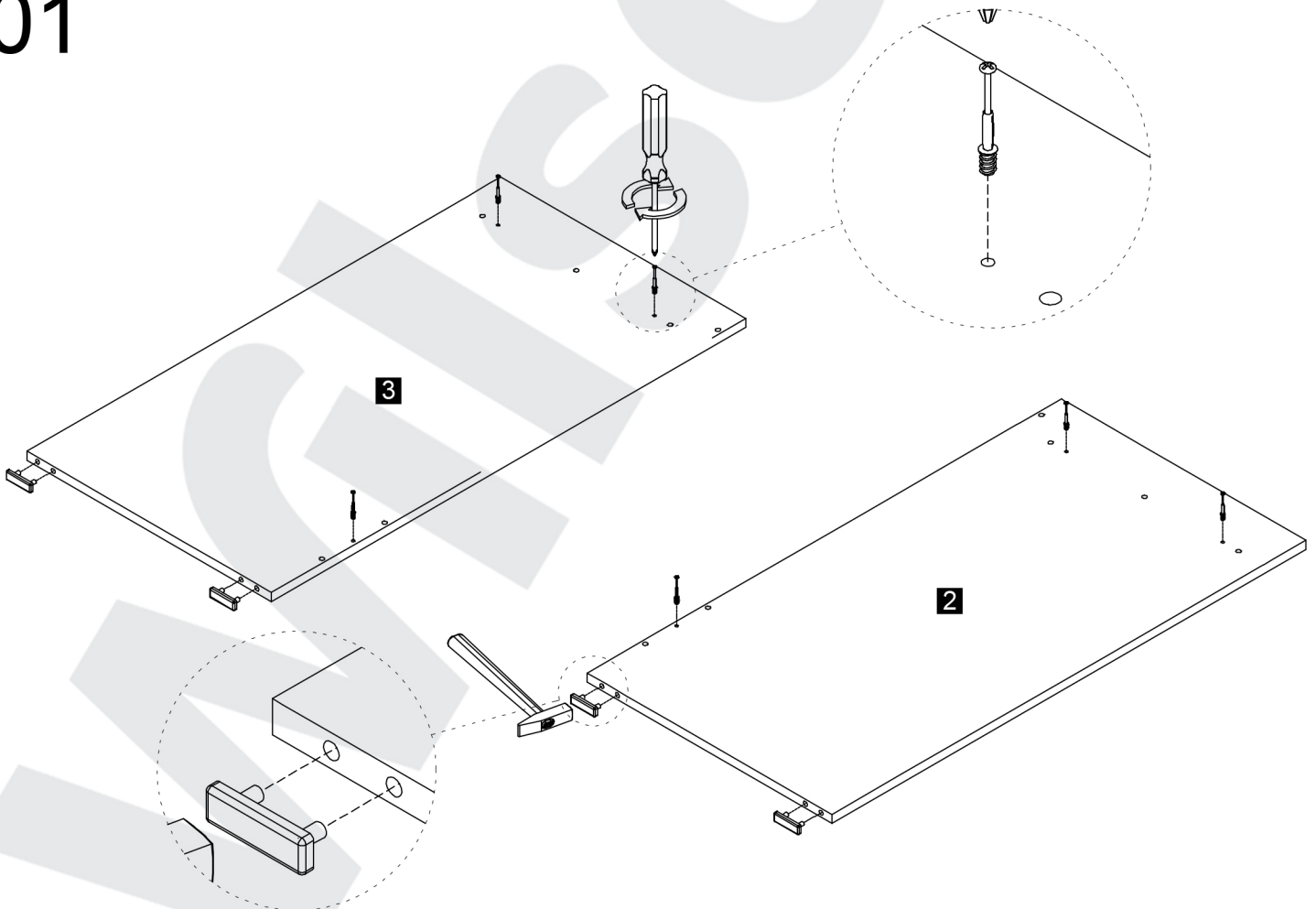
OTIS



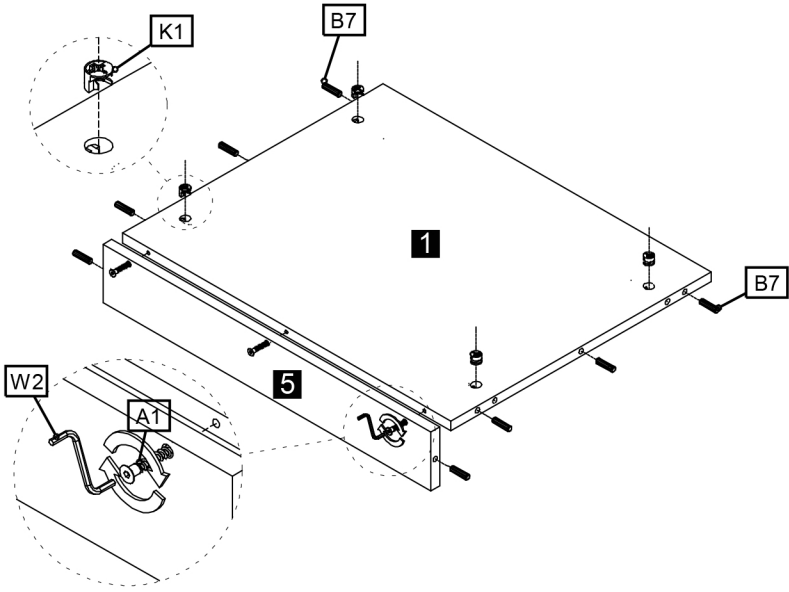
P3  x4	K1 Ø15X12  x6
K5  x6	A1  x3
B7 Ø8X30  x12	K1z  x6
W2  x1	A1z  x3



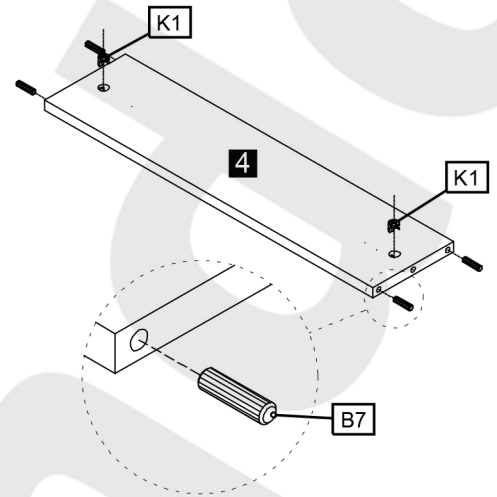
01



02



03



04

