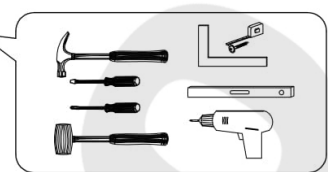
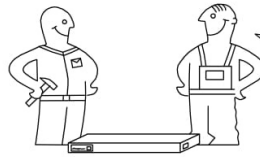
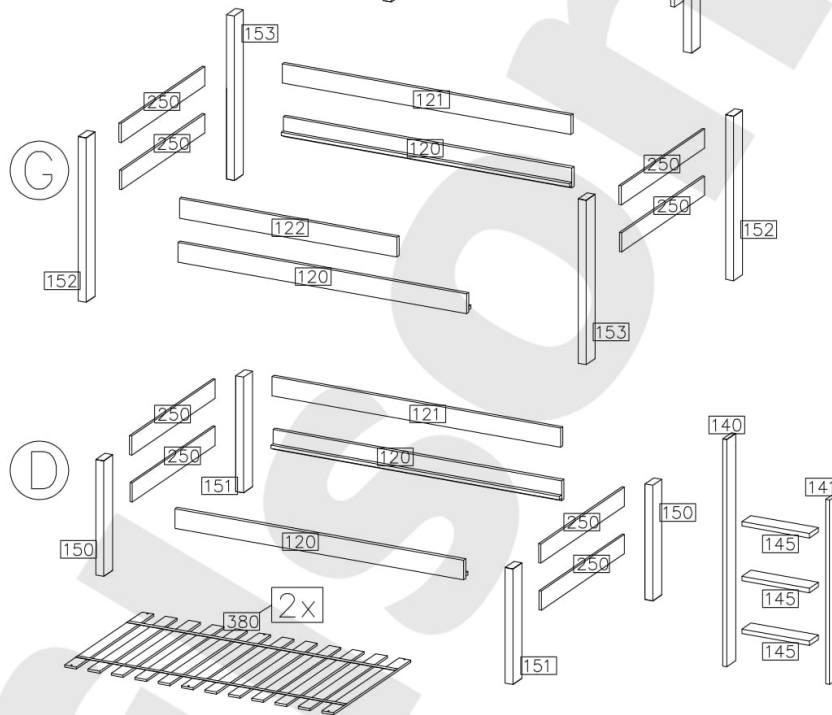
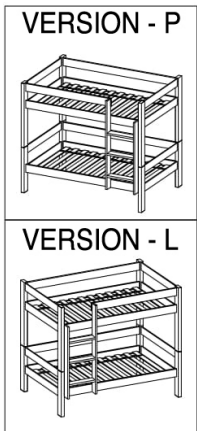
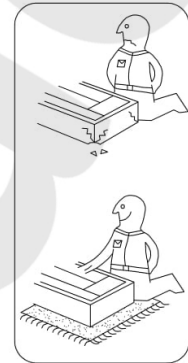
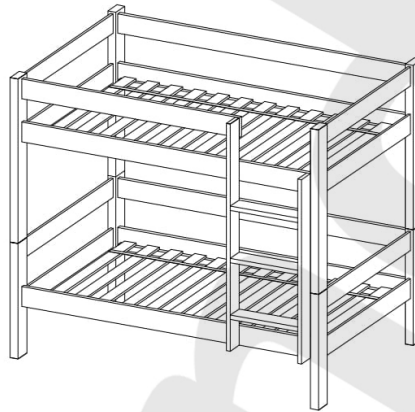


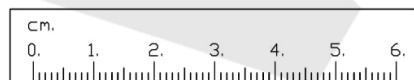
PAULÍNA / PAULA 2



No	Art. No	X
1	120	4
2	121	2
3	122	1
4	260	8
5	150	2
6	151	2
7	152	2
8	153	2
9	140	1
10	141	1
11	145	3
12	380	2





$\varnothing 10 \times 40 \text{mm}$	$6,3 \times 50 \text{mm}$	$6,3 \times 70 \text{mm}$		$M6.0 \times 100 \text{mm}$	$M6.0 \times 80 \text{mm}$	4mm	$3.5 \times 40 \text{mm}$	$5.0 \times 50 \text{mm}$
A2	B	B1	E1	K	K1	O	R3	R4
62	12	5	25	16	8	1	12	6

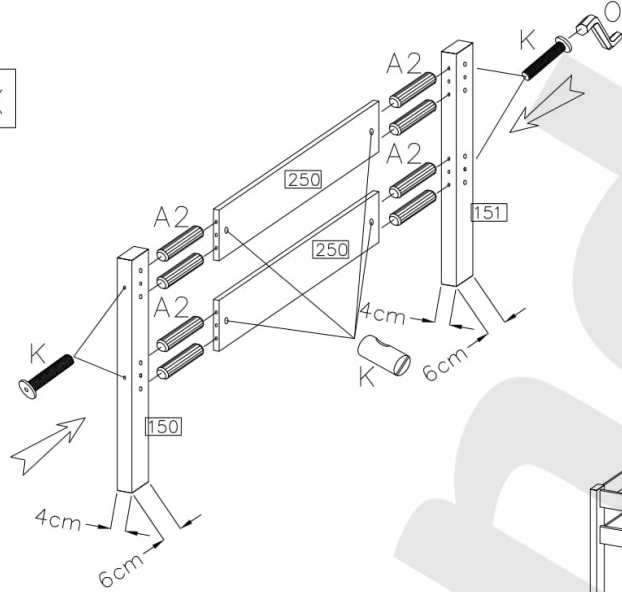
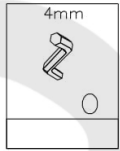


1

(D)



M6.0x100mm

K
8
ø10x40mm

A2
16

2x

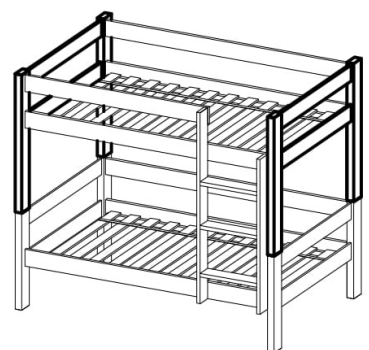
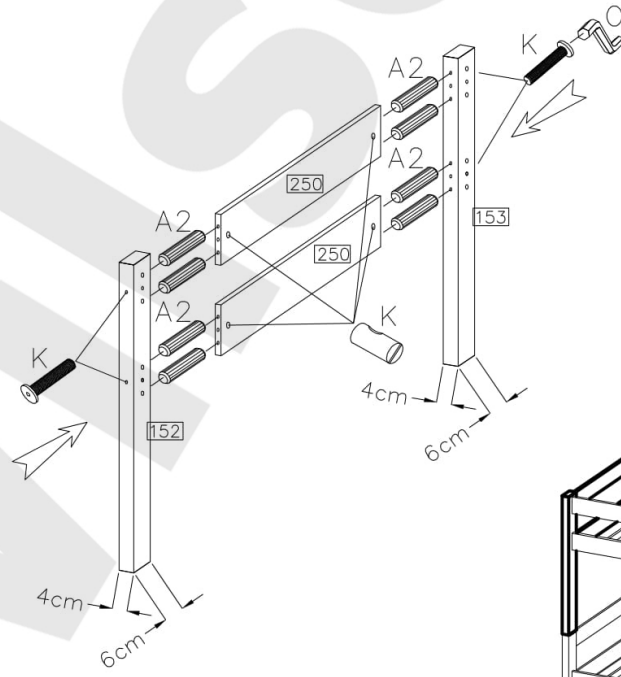
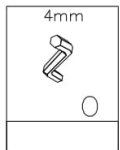


2

(G)





M6.0x100mm

K
8
ø10x40mm

A2
16


2x

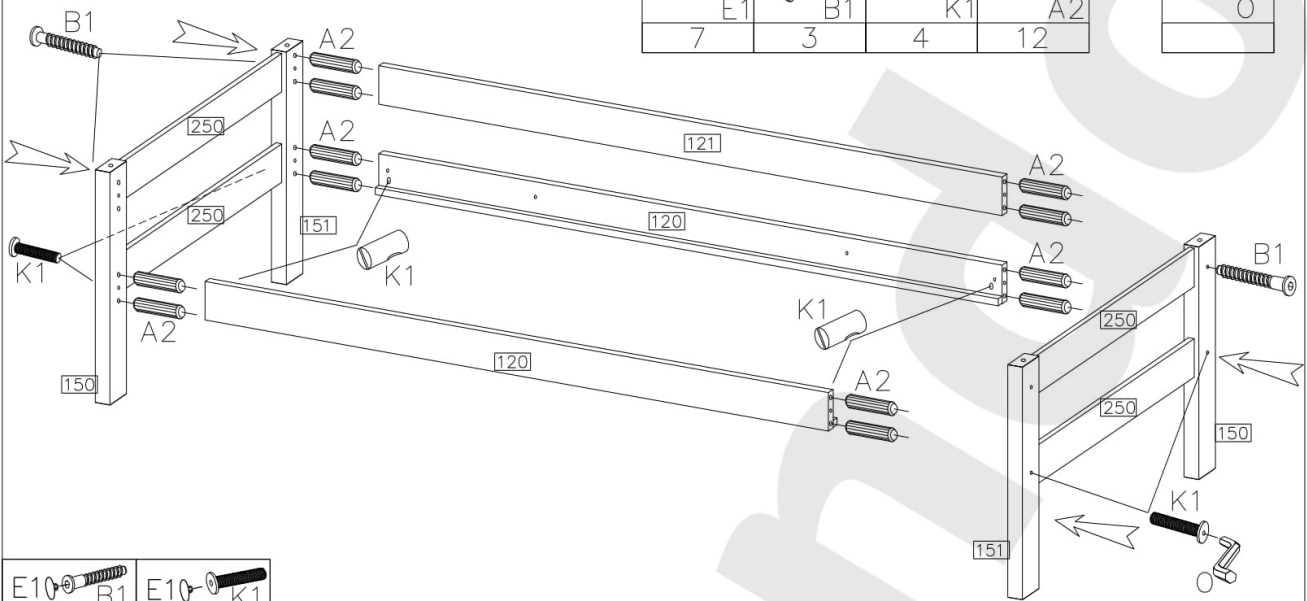


3

ⓓ

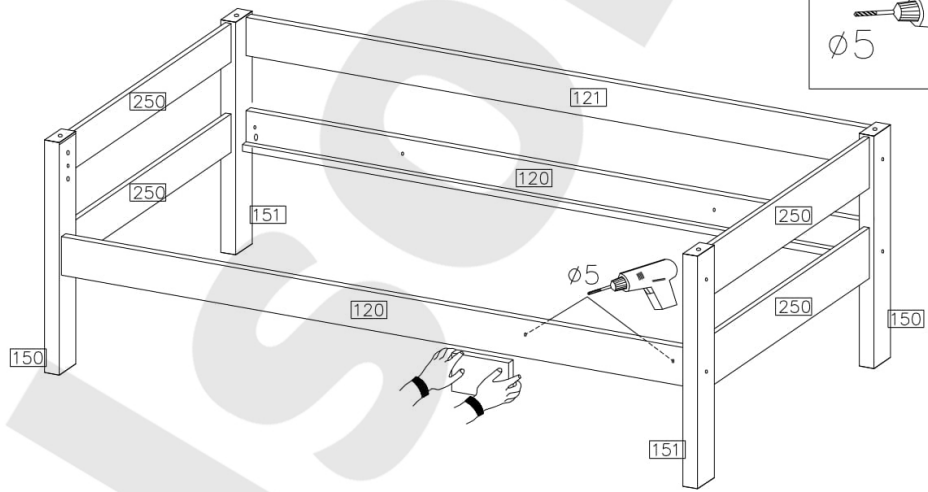
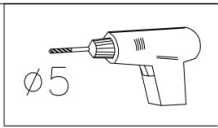
	6,3x70mm 	M6.0x80mm 	ø10x40mm 
E1	B1	K1	A2
7	3	4	12

4mm 
O



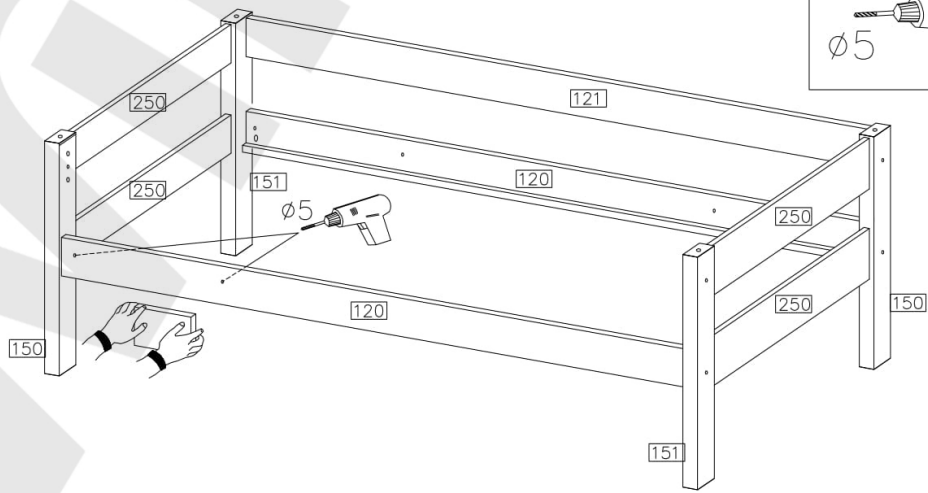
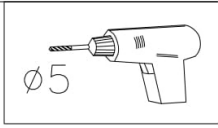
4

P ⓓ





4

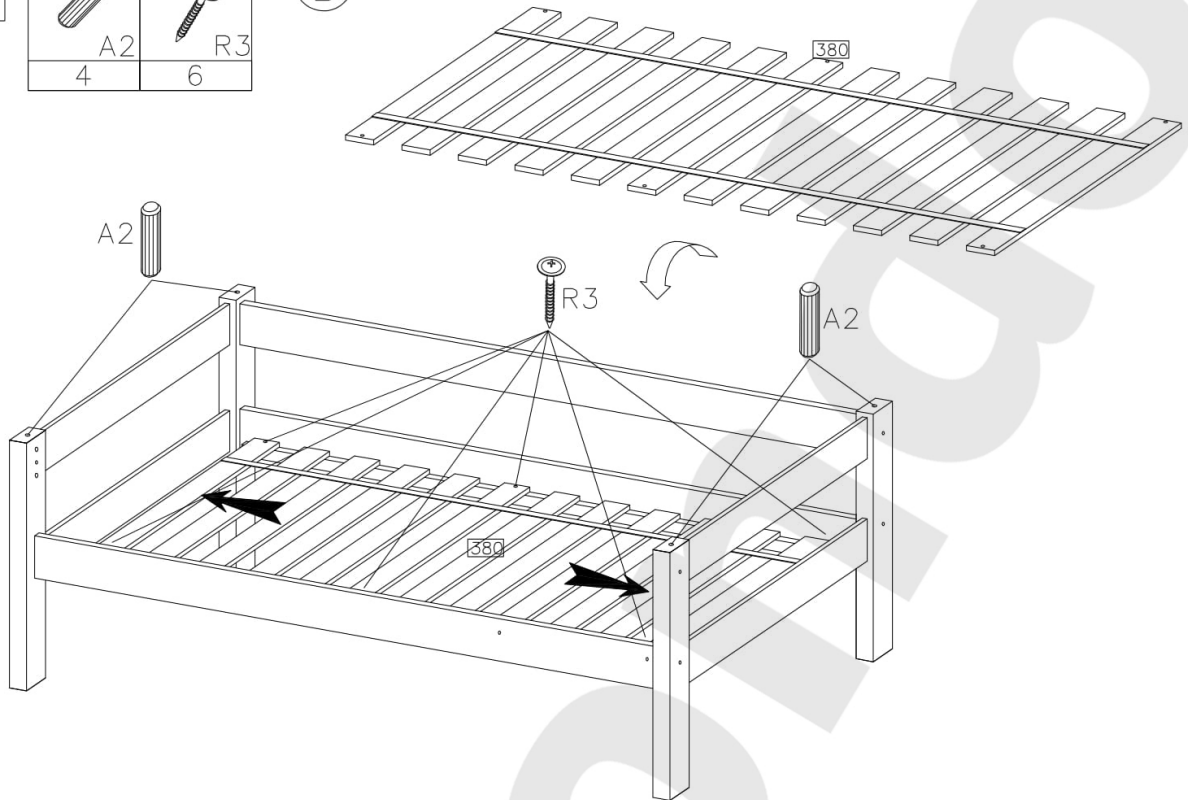
L ⓓ



5





 A2	 R3
4	6


(D)

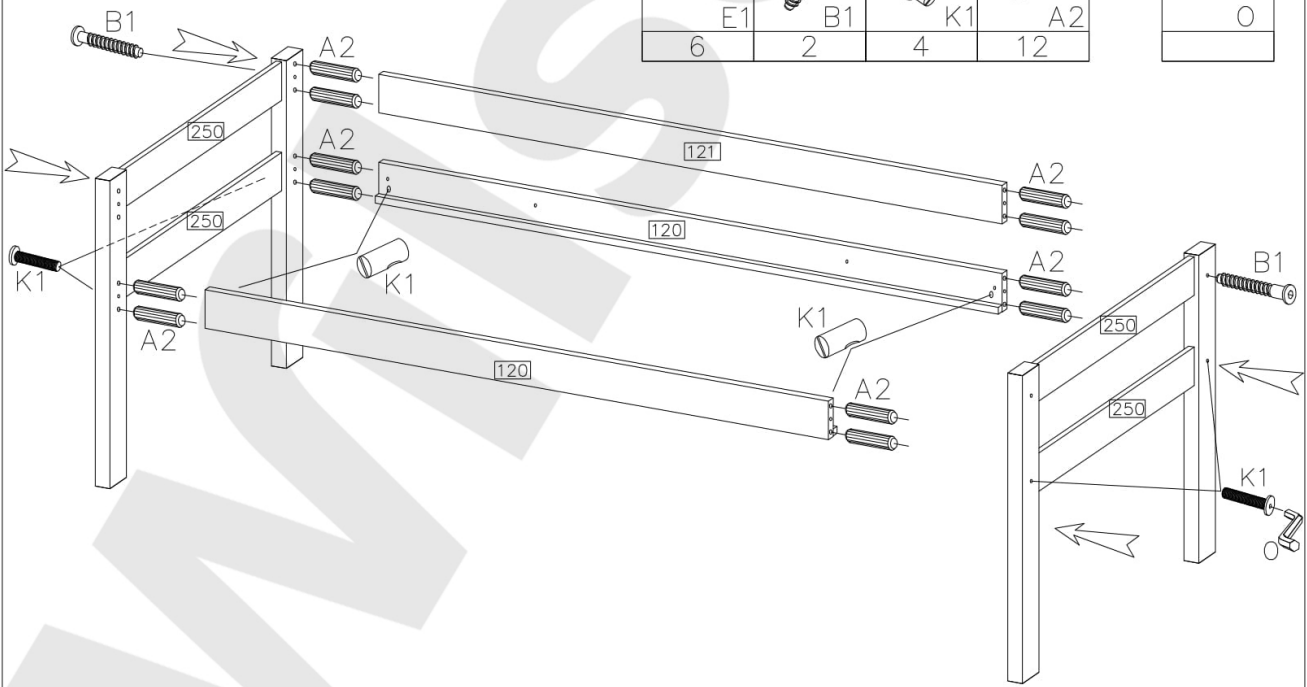


6

(G)

 E1	 B1	 K1	 A2
6	2	4	12

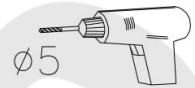
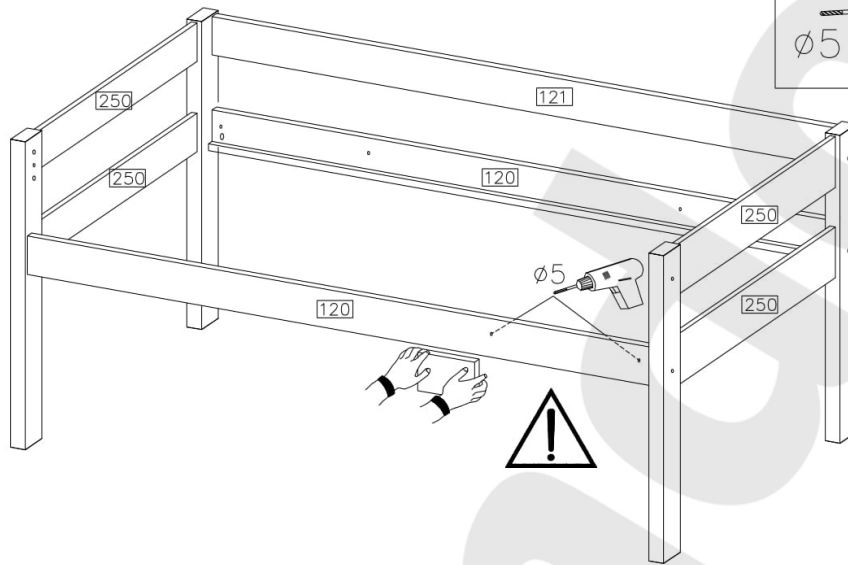
 O
4mm



 B1	 K1
---	---

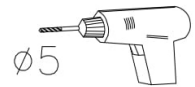
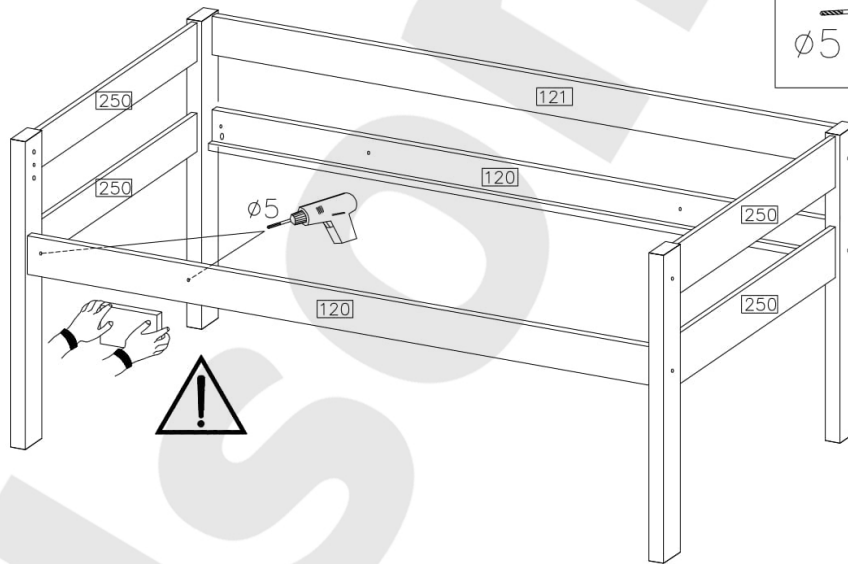
7 P G

VERSION - P



7 L G

VERSION - L



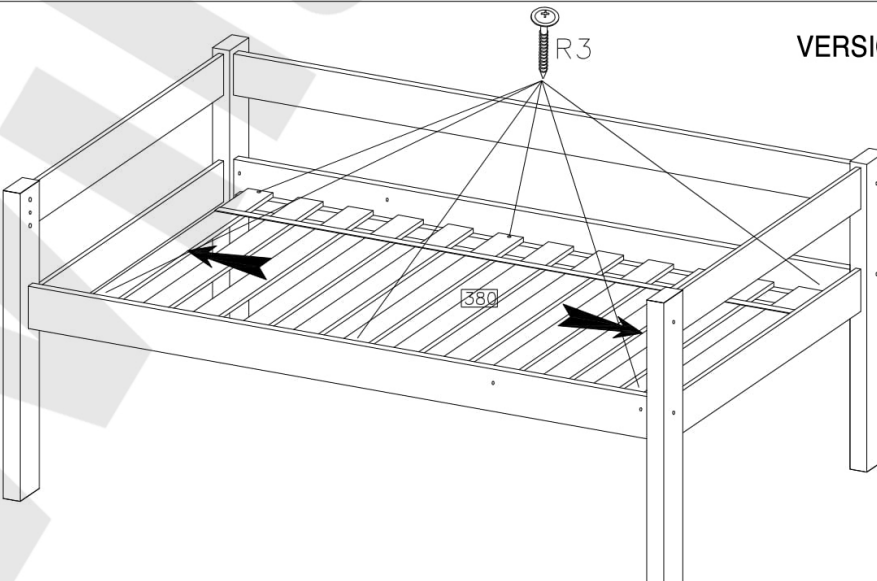
8 G

VERSION - P

3.5x40mm

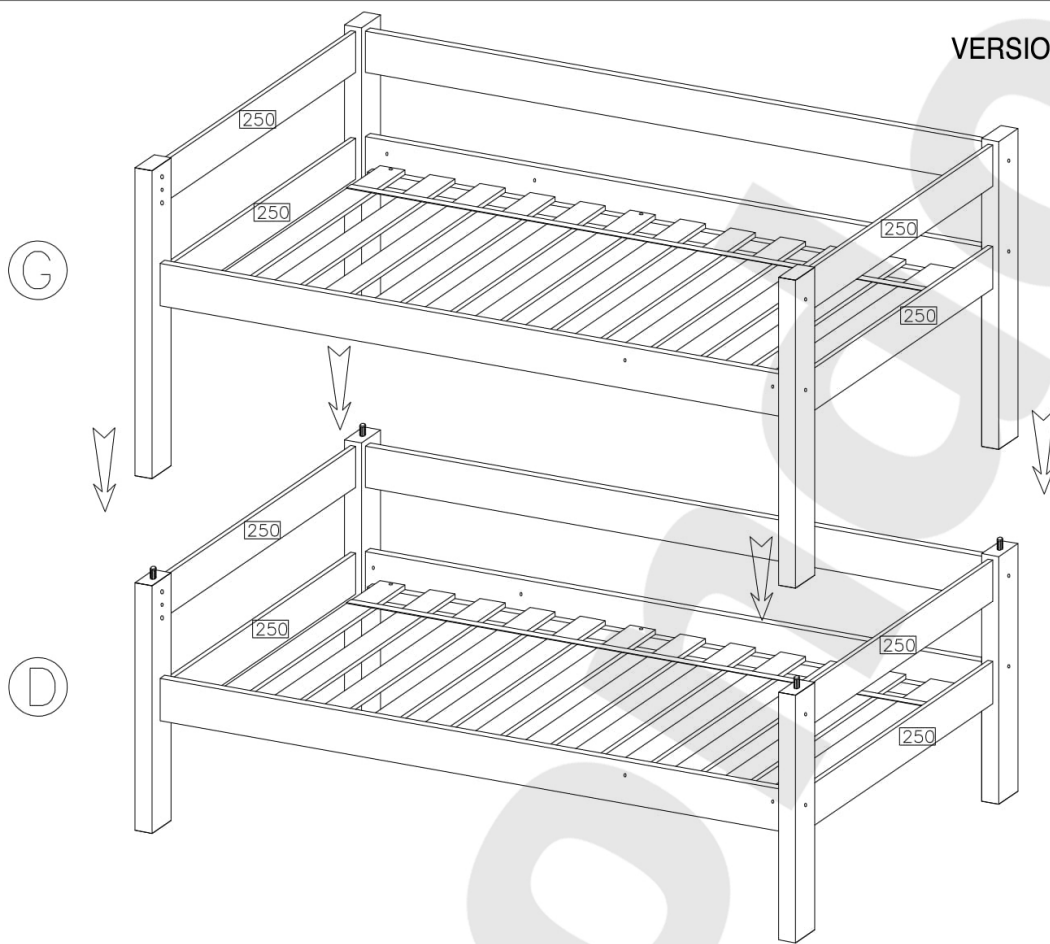


R3
6



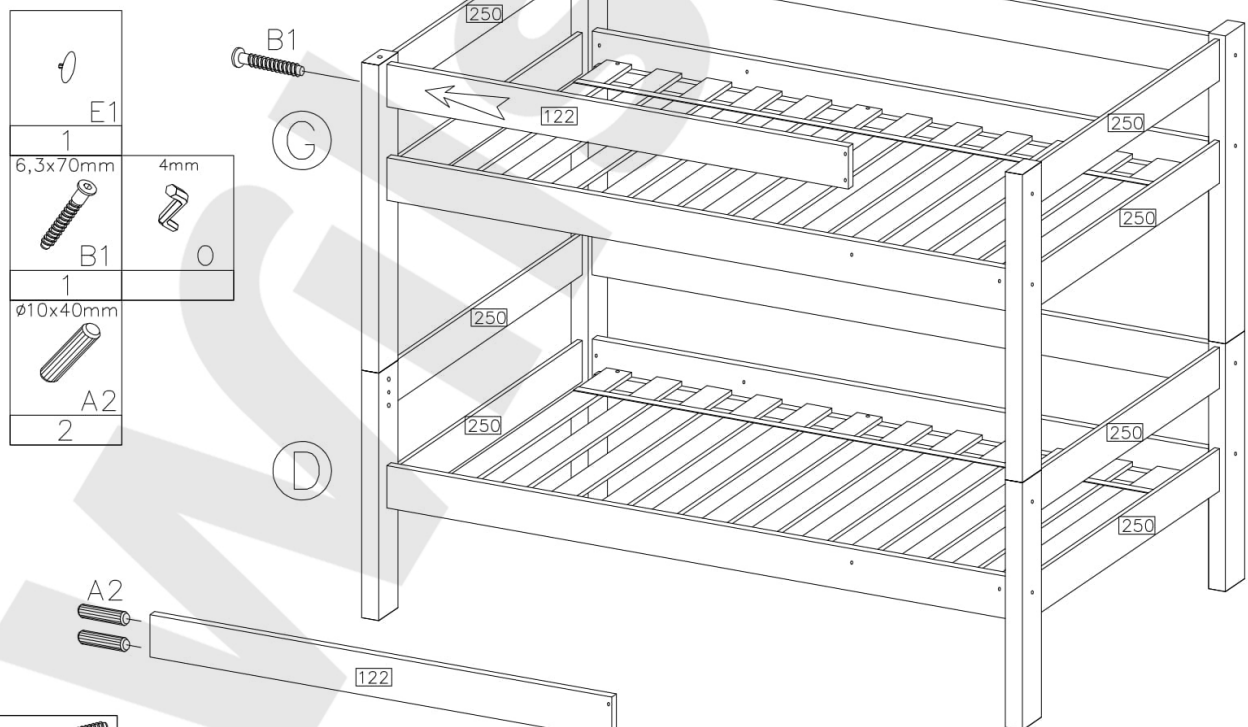
9

VERSION - P




10

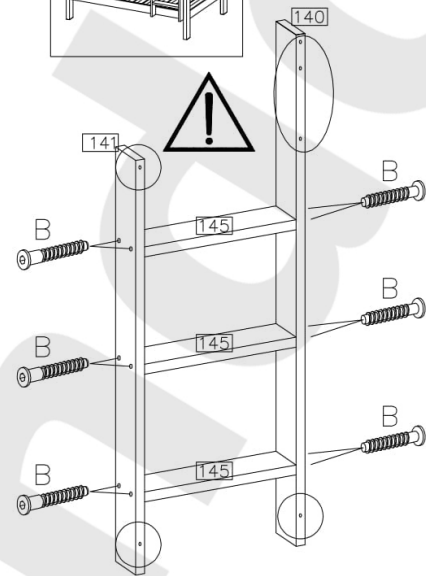
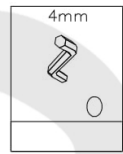
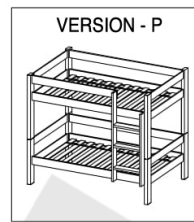
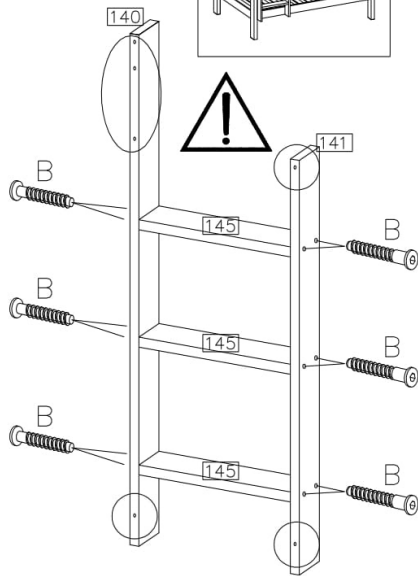
VERSION - P



E1 B1


11

	6,3x50mm
E1	B
12	12



12

VERSION - P

	5.0x50mm
R4	
6	

