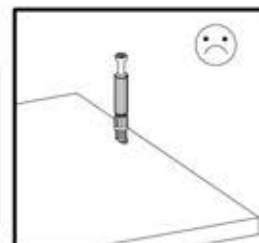
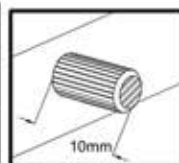
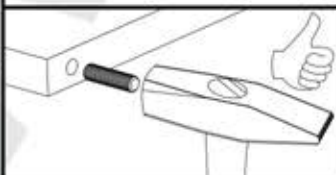
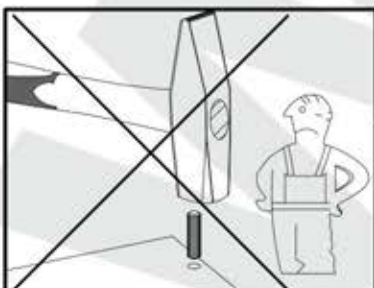
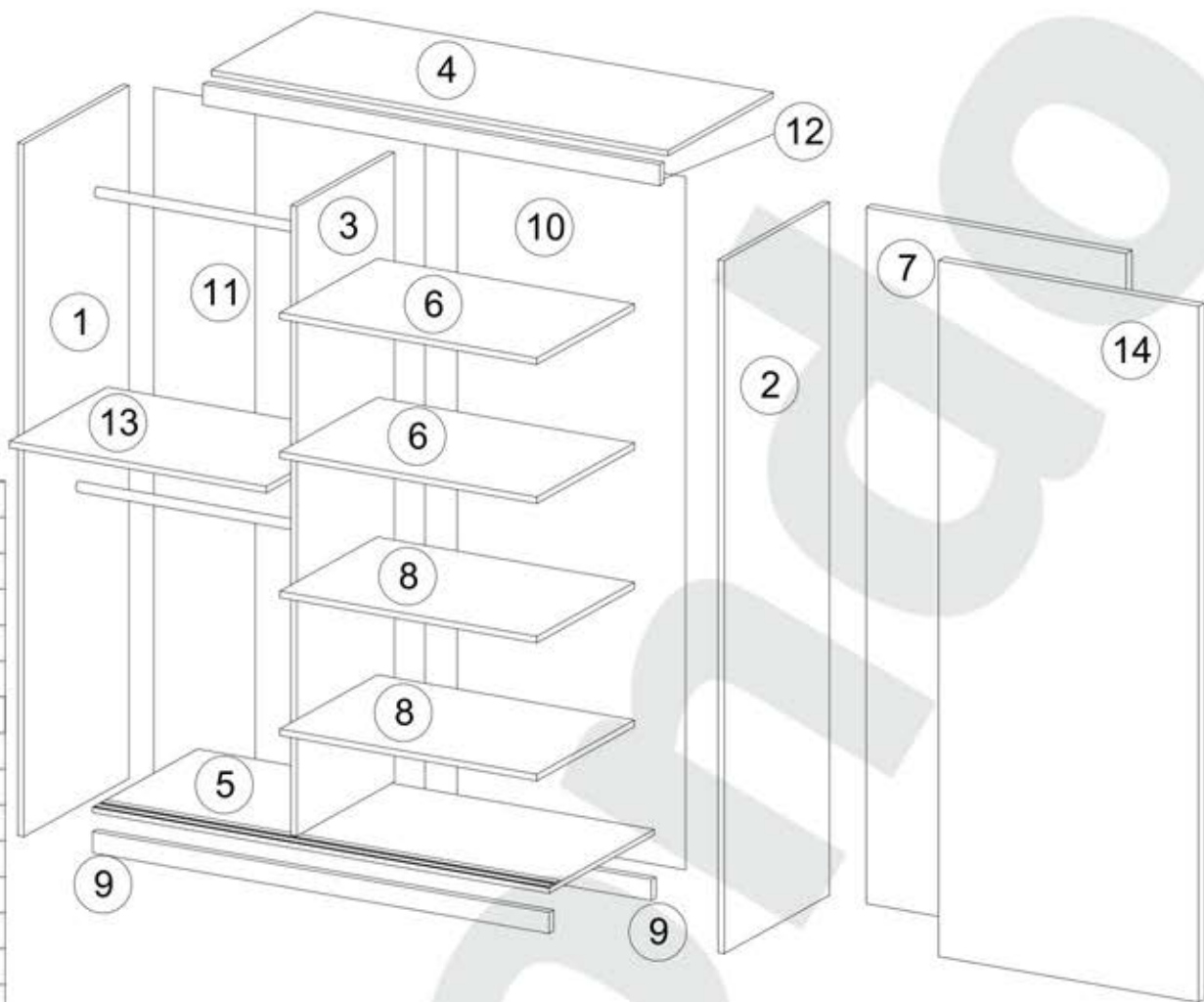


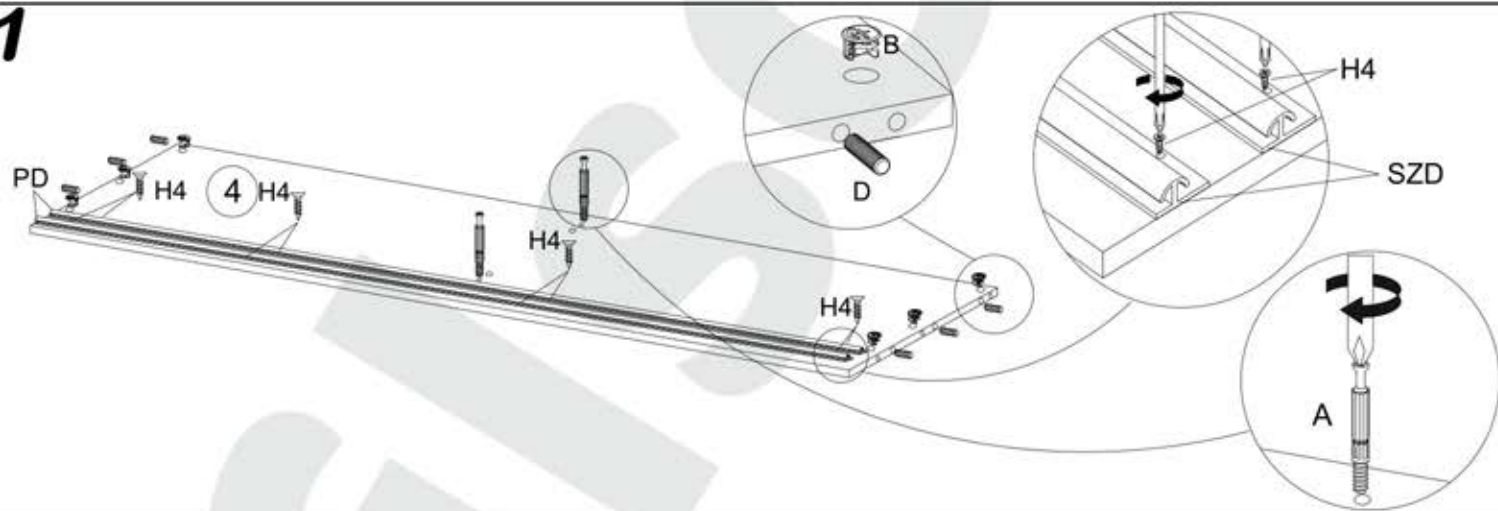
| | | | | | | | | | | |
|-----------------------|----------------------|-------------|--------------|-------------|-----------------------|----------------------|----------------------|-------------|-------------|------------------------|
| 8.0x35 D 16 | 4.0x25 G 4 | Y 12 | A 28 | B 28 | 3.5x16 H 24 | V 12 | N 4 | K2 4 | K1 4 | S3 8 |
| X 20 | F 2 | S 19 | S1 40 | I 30 | L-465 V1 2 | L-1850 L 1 | 6.3x13 Q 8 | J 8 | PD 4 | 3.0x13 H4 16 |



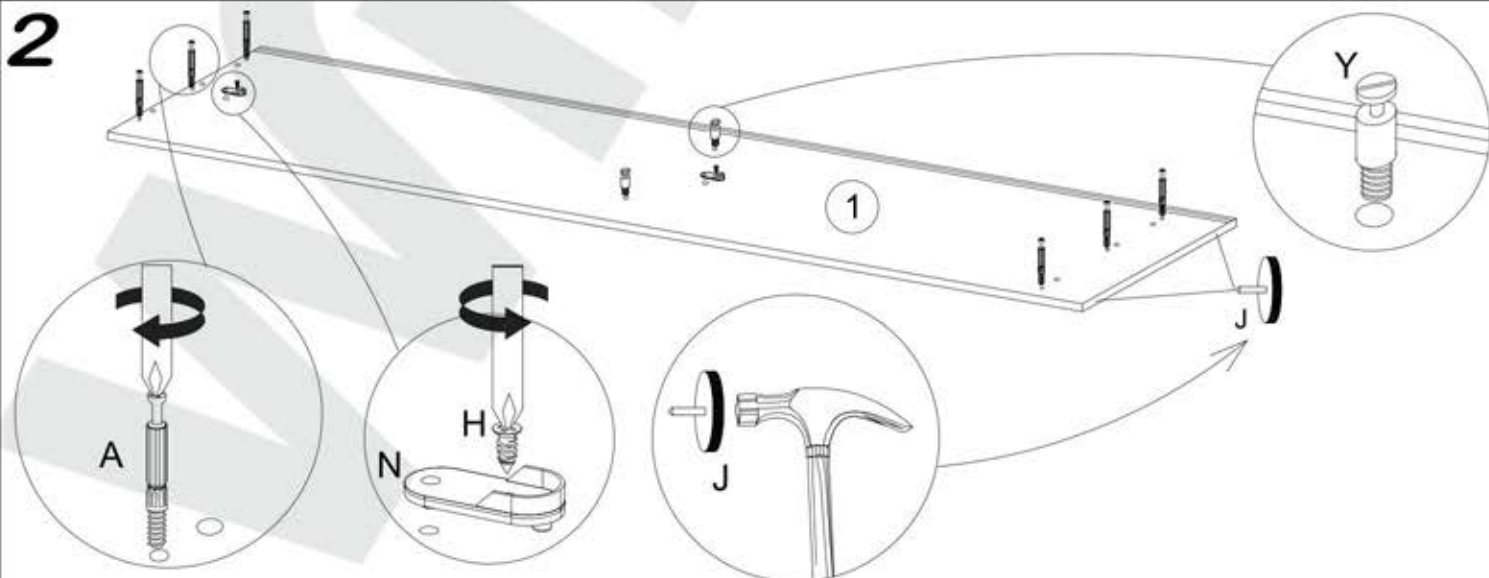


| No. | Pcs. | L | W | D |
|-----|------|------|-----|----|
| 1. | 1 | 2000 | 620 | 16 |
| 2. | 1 | 2000 | 620 | 16 |
| 3. | 1 | 1888 | 480 | 16 |
| 4. | 1 | 1468 | 582 | 16 |
| 5. | 1 | 1468 | 600 | 16 |
| 6. | 2 | 475 | 480 | 16 |
| 7. | 1 | 1873 | 750 | 16 |
| 8. | 2 | 475 | 480 | 16 |
| 9. | 2 | 1468 | 80 | 16 |
| 10. | 1 | 1918 | 492 | 3 |
| 11. | 2 | 1918 | 496 | 3 |
| 12. | 1 | 1468 | 70 | 16 |
| 13. | 1 | 976 | 480 | 16 |
| 14. | 1 | 1873 | 750 | 16 |

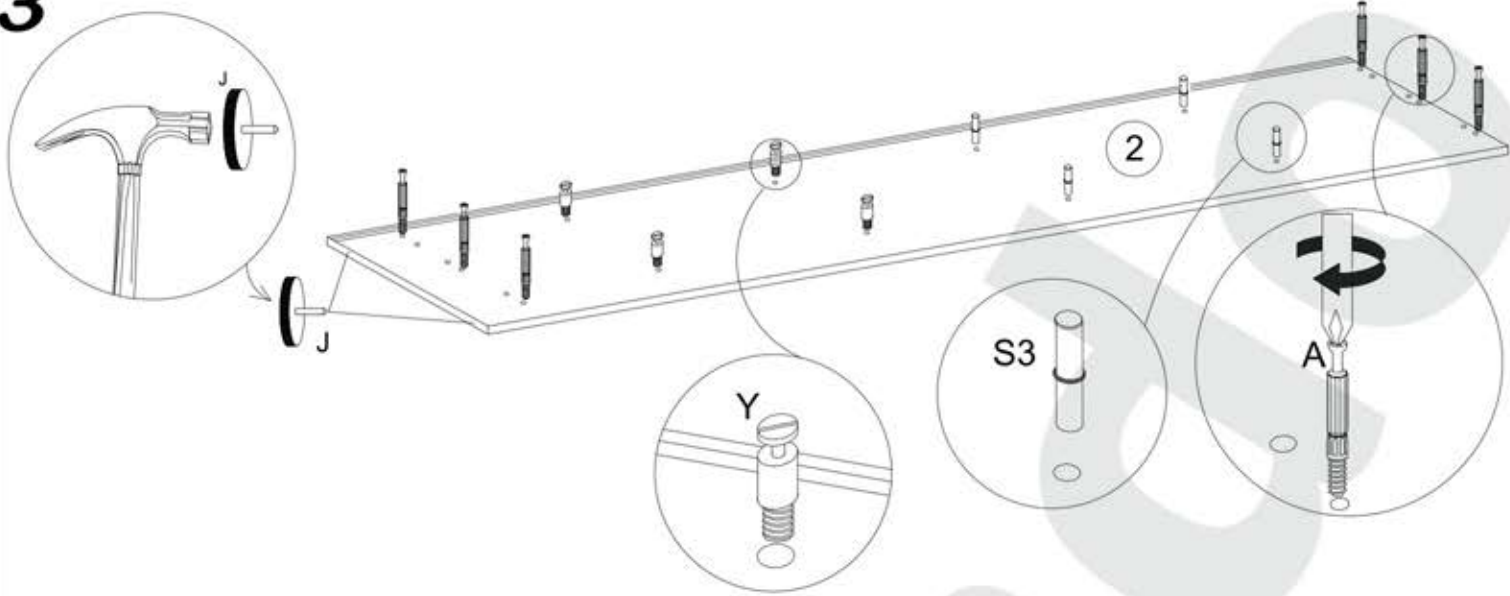
1



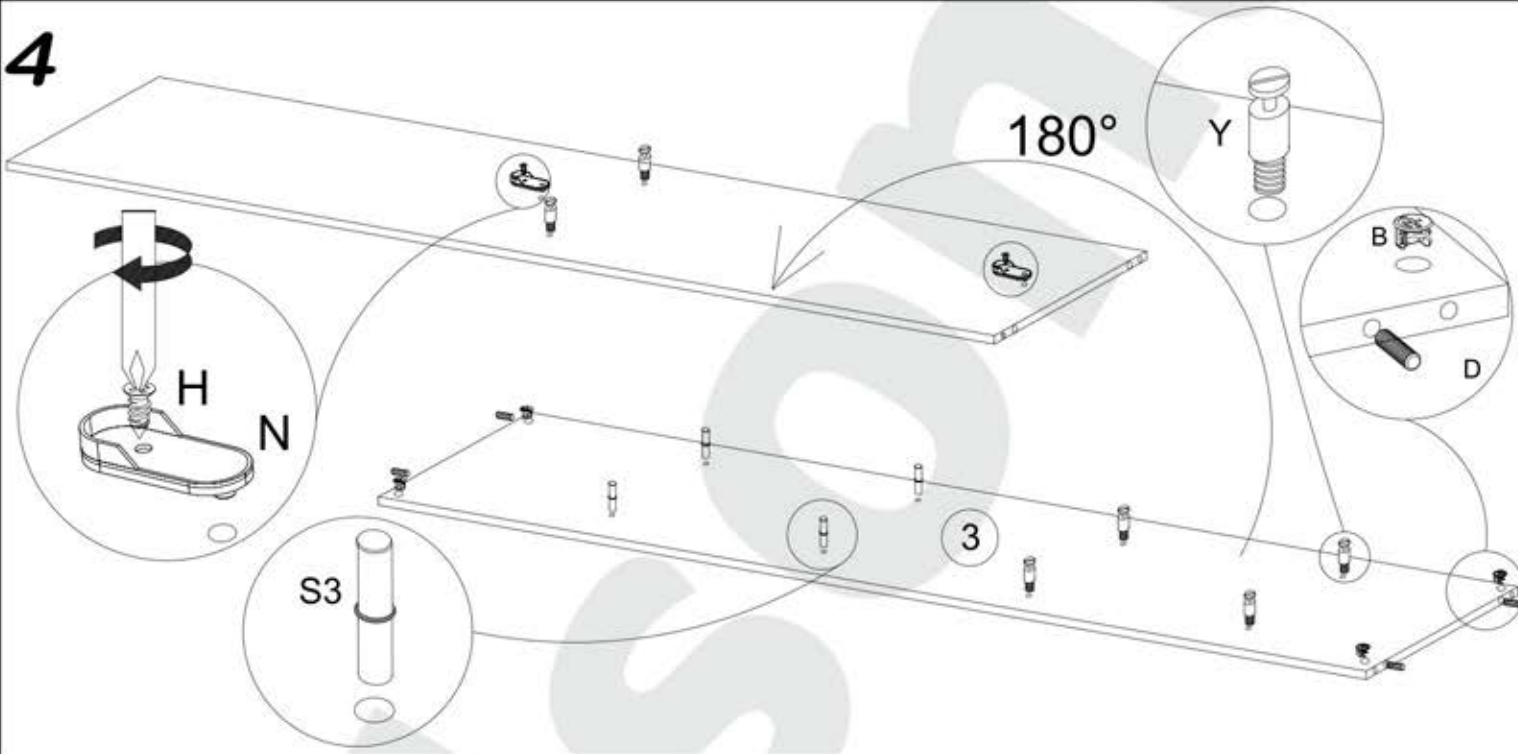
2



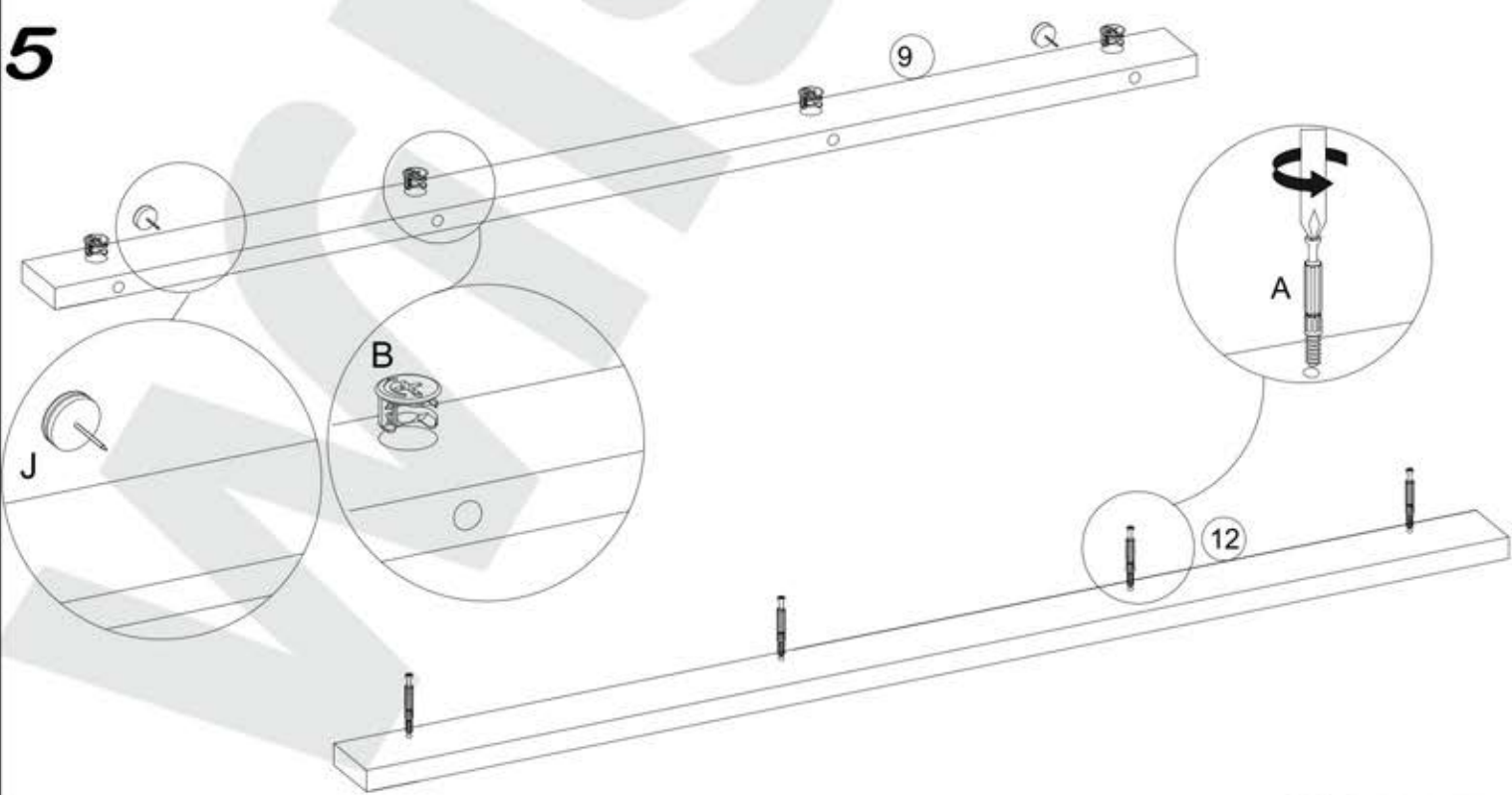
3

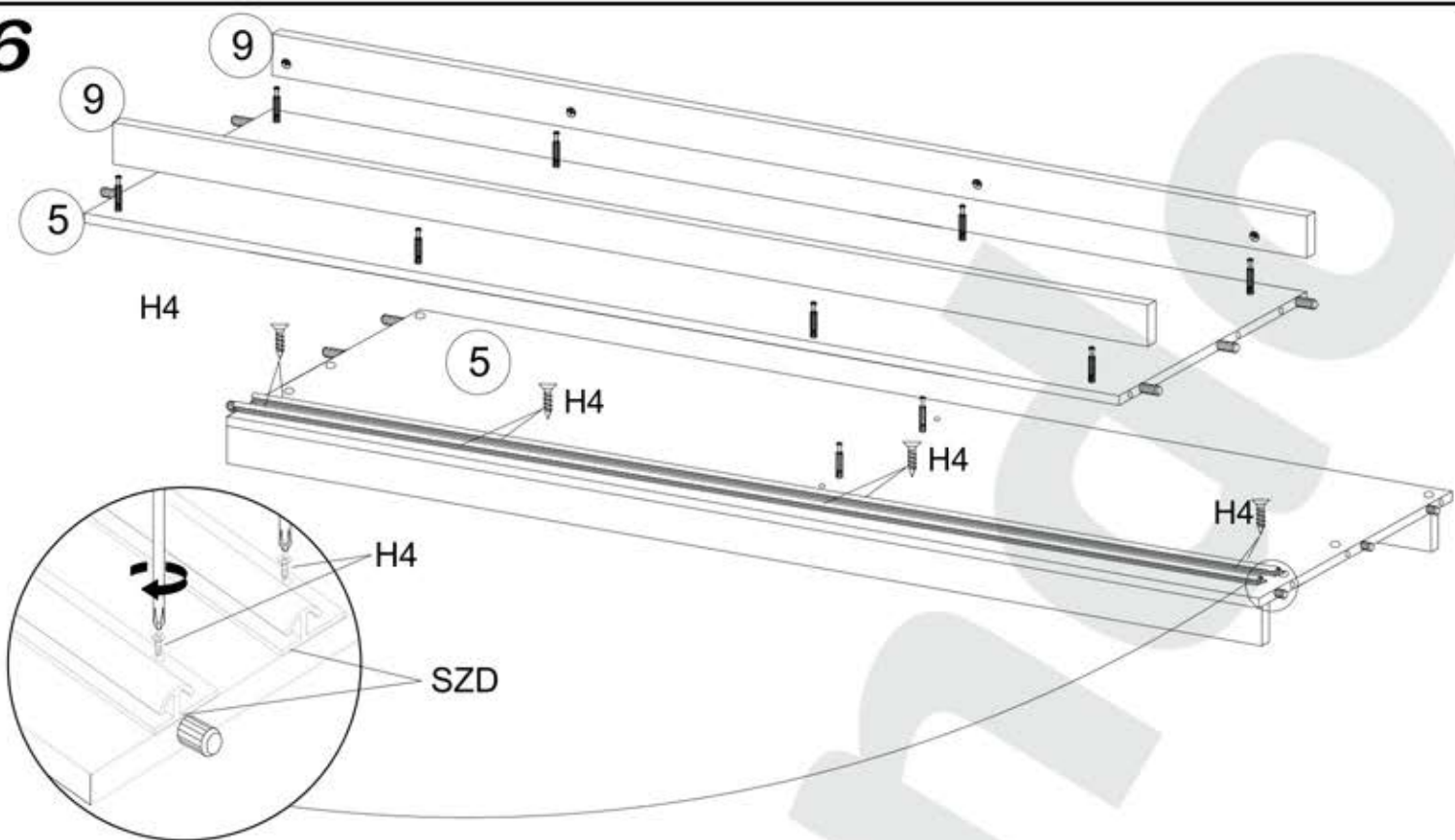
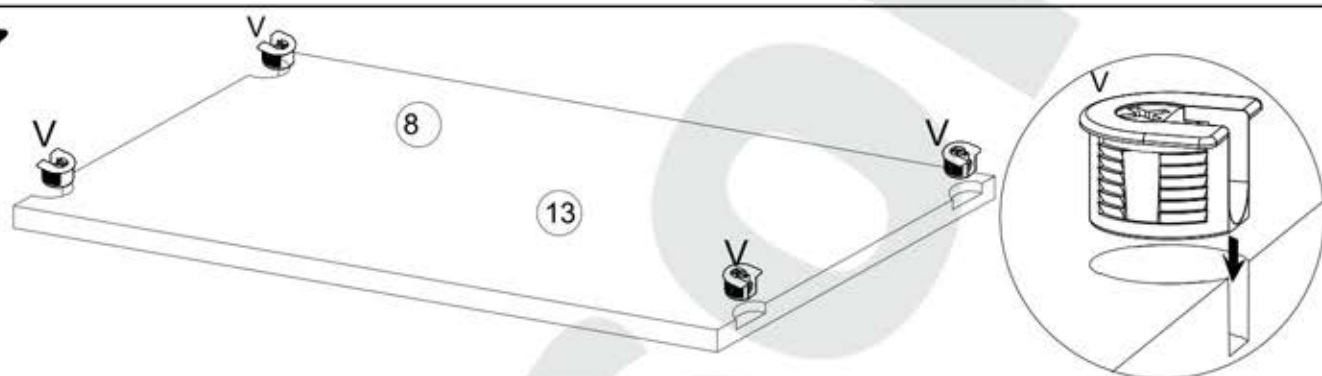
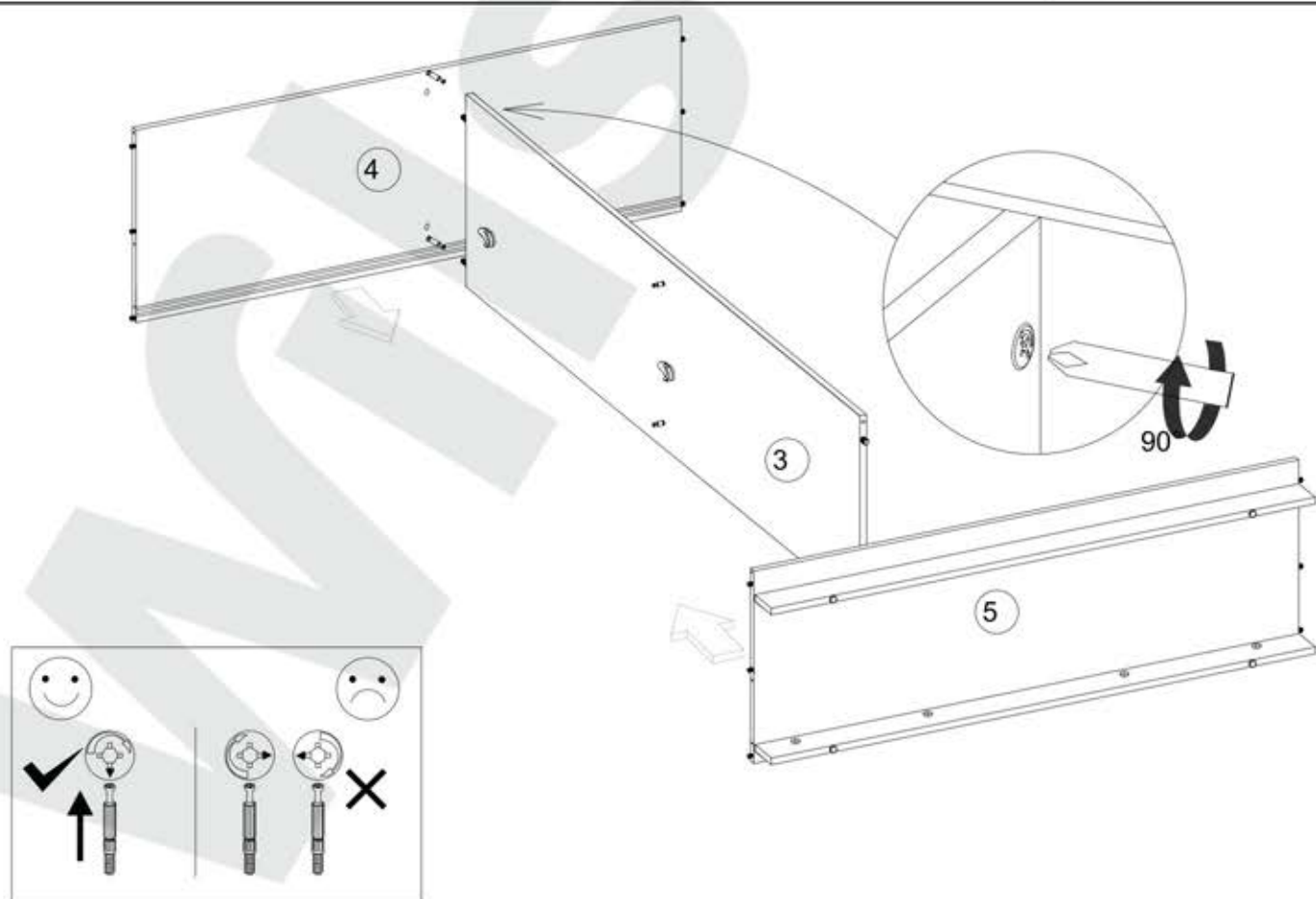


4



5

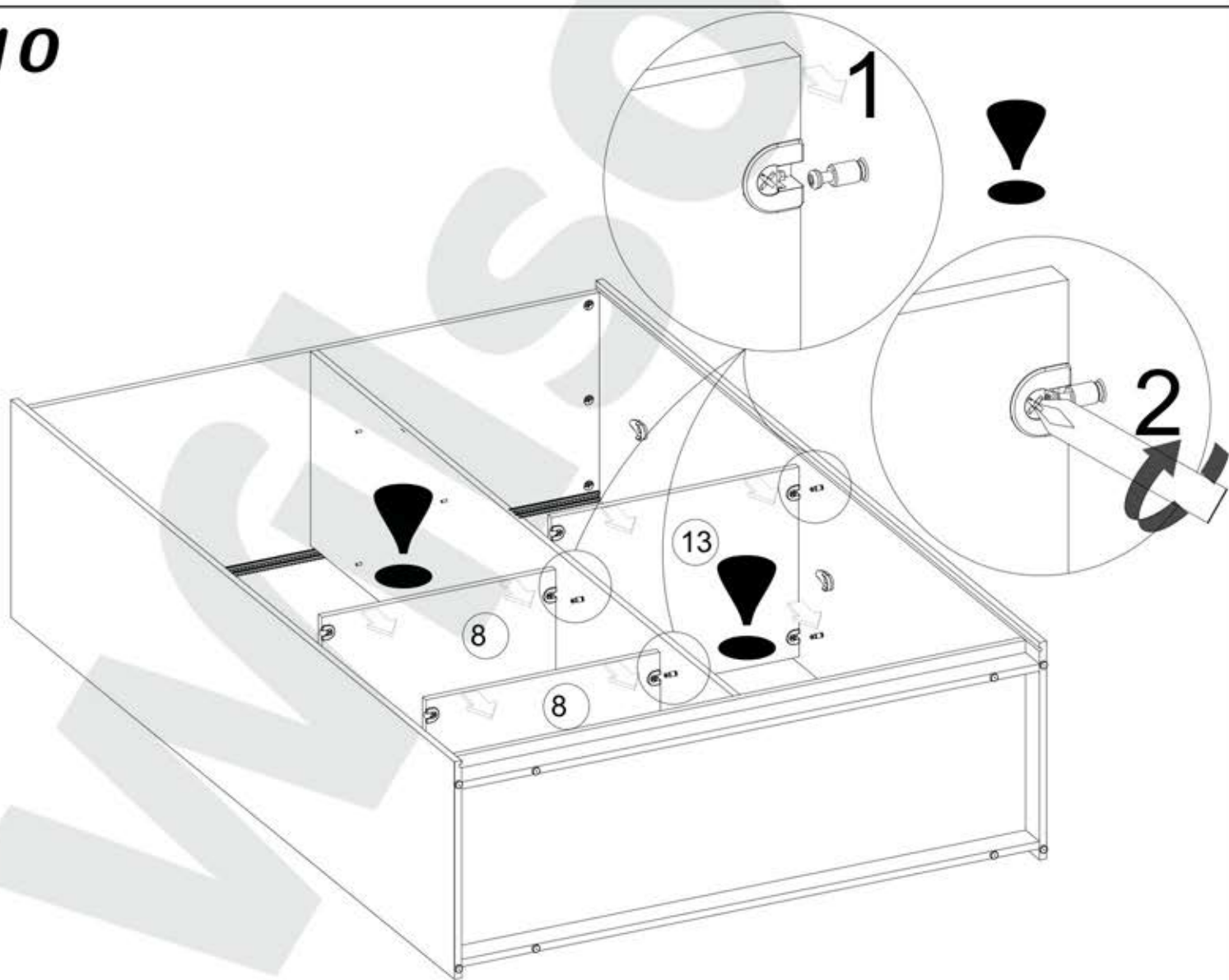


6**7****8**

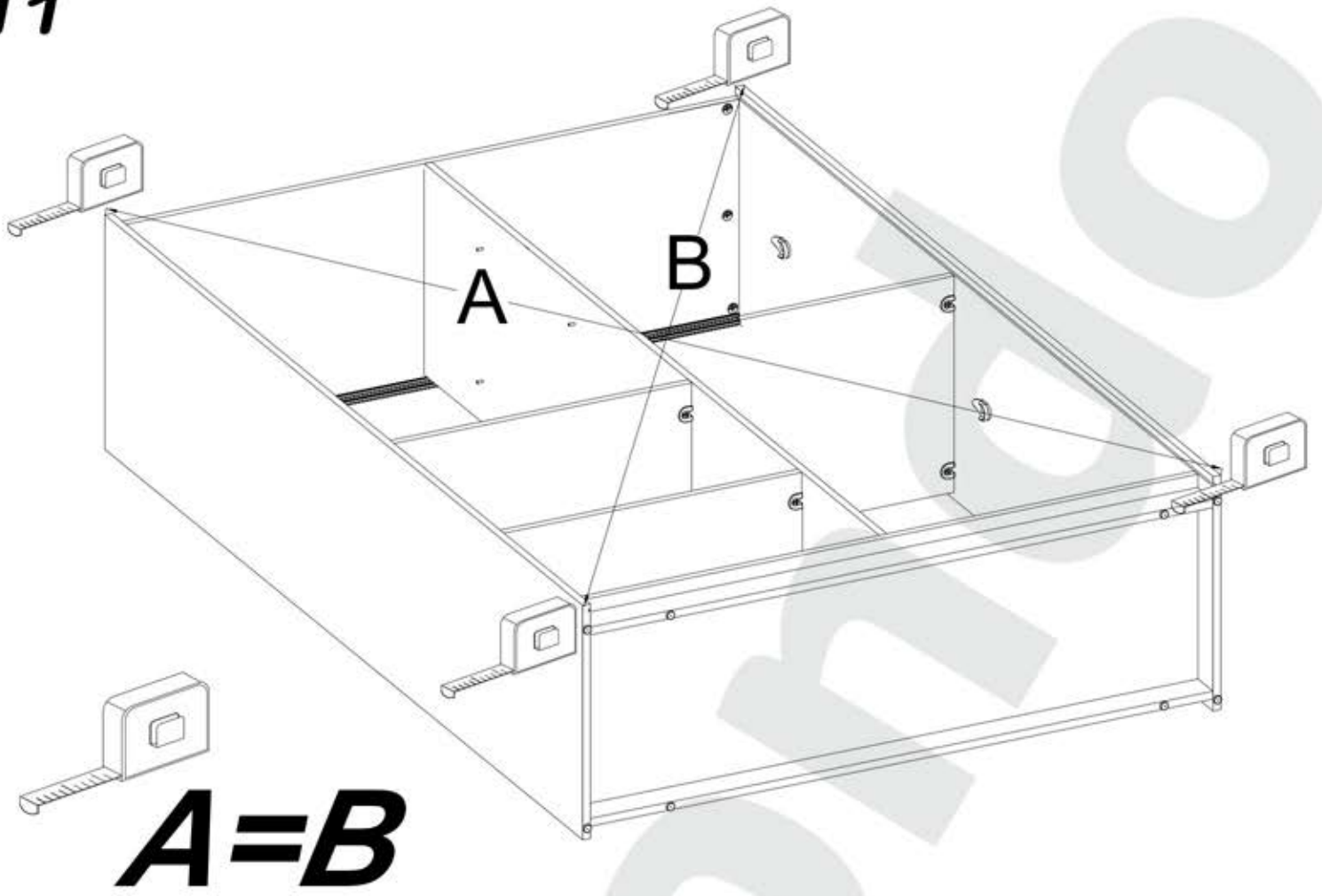
9



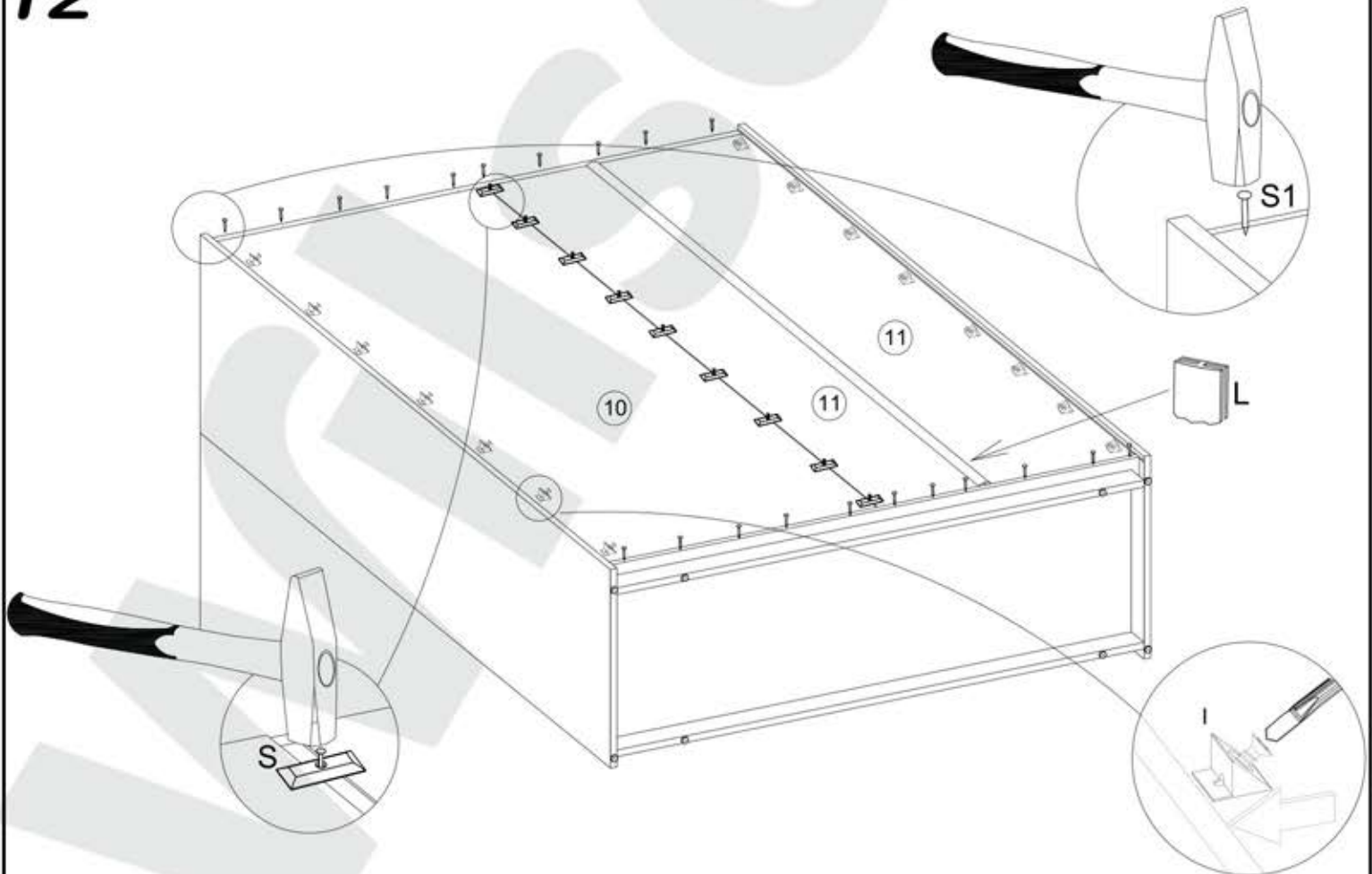
10



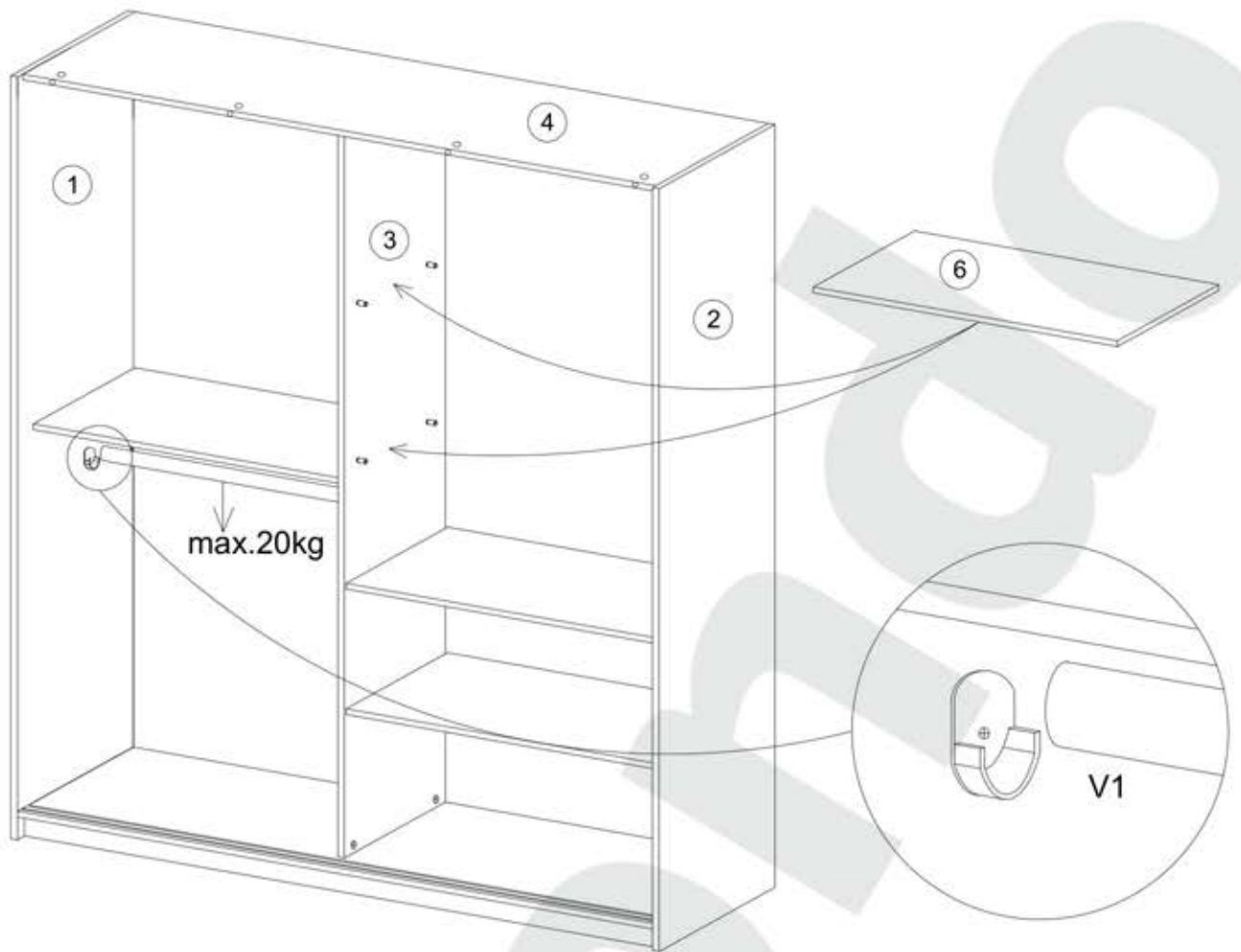
11



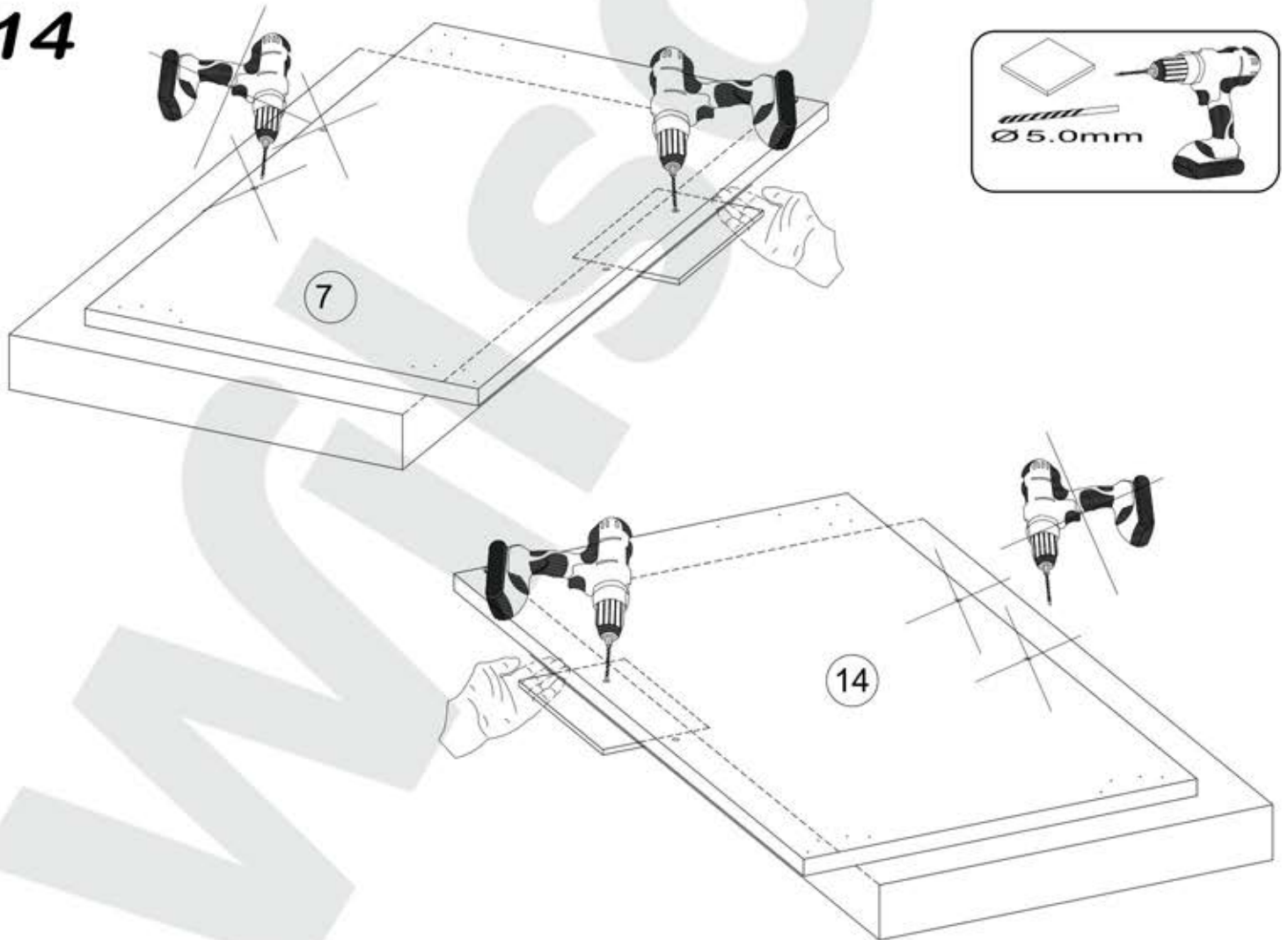
12



13

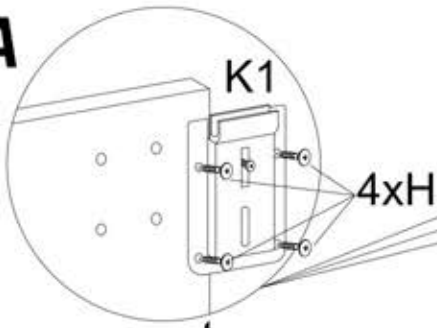


14

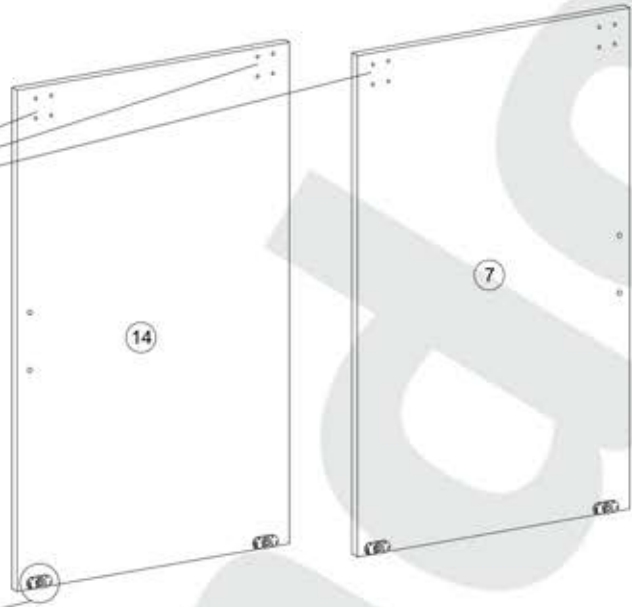
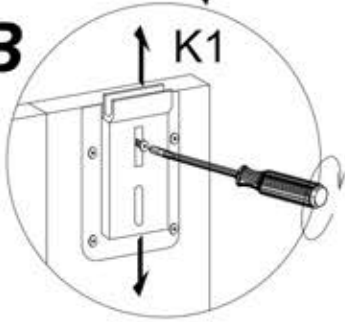


15

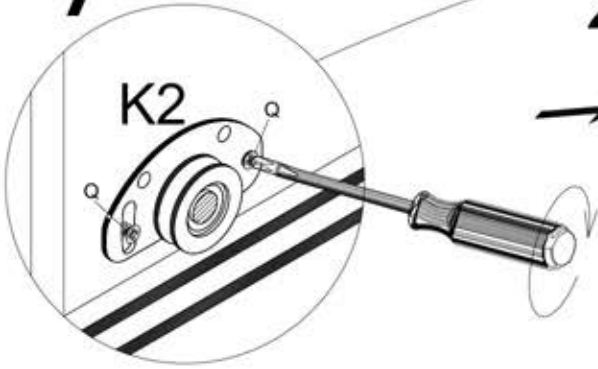
A



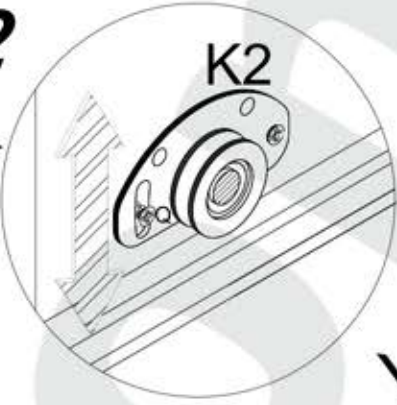
B



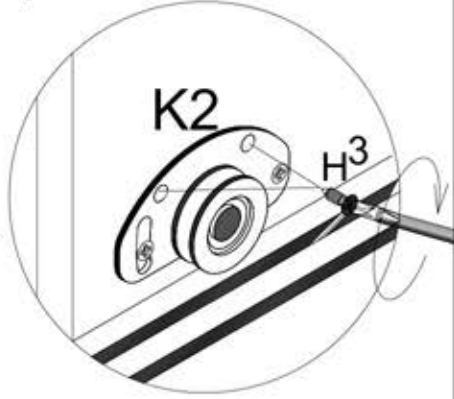
1



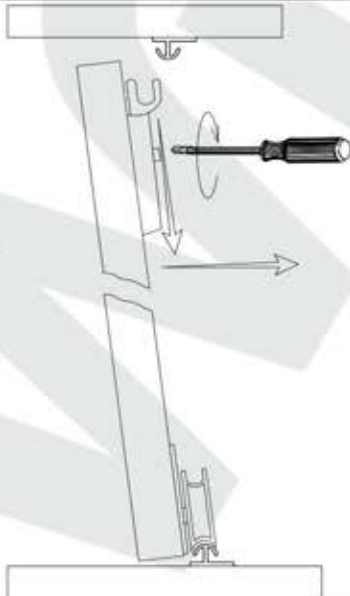
2



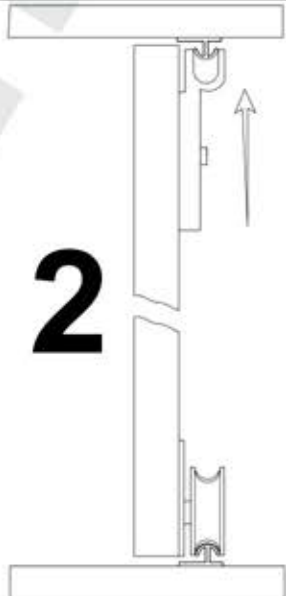
3



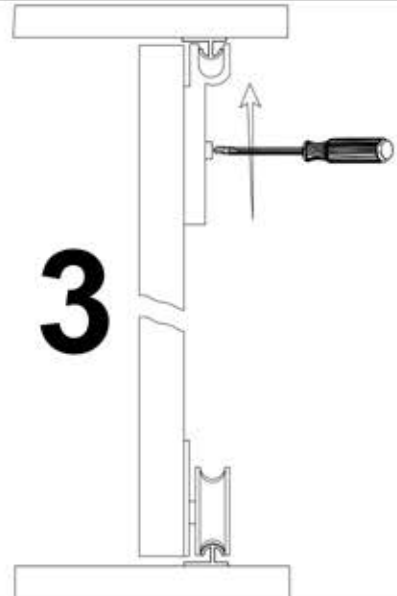
1



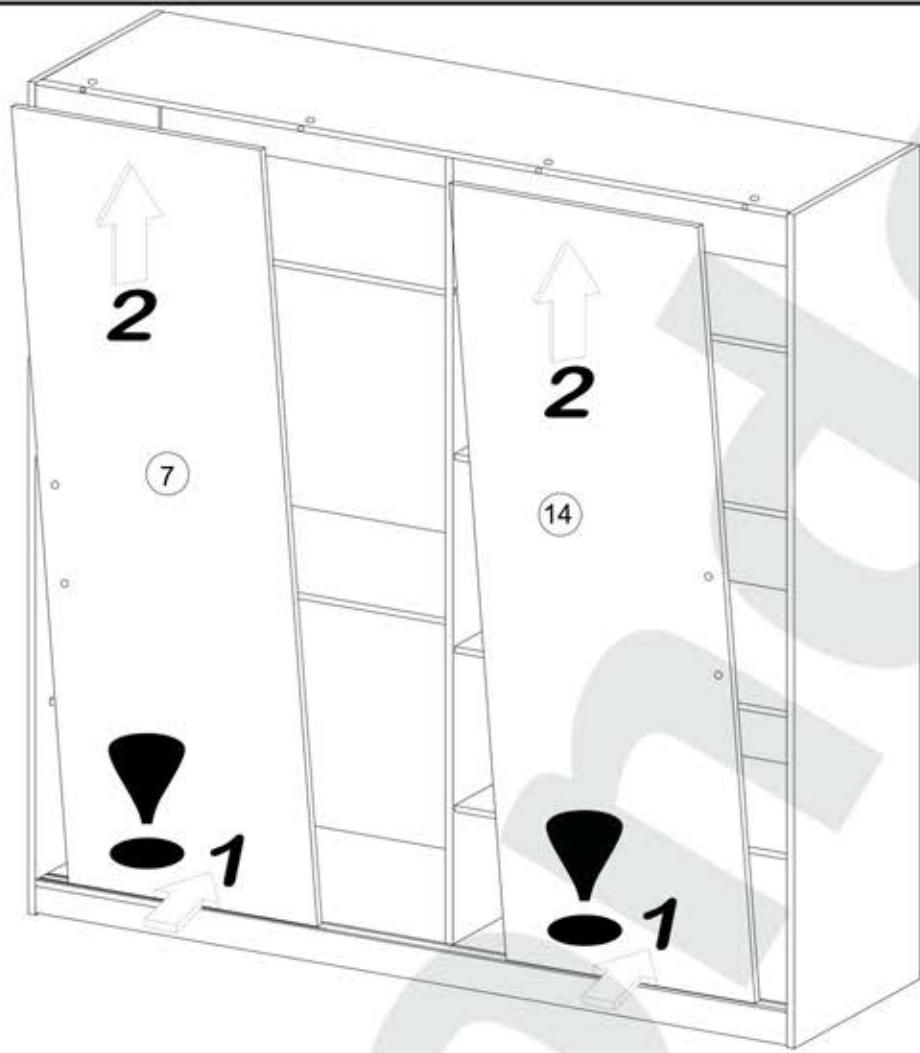
2



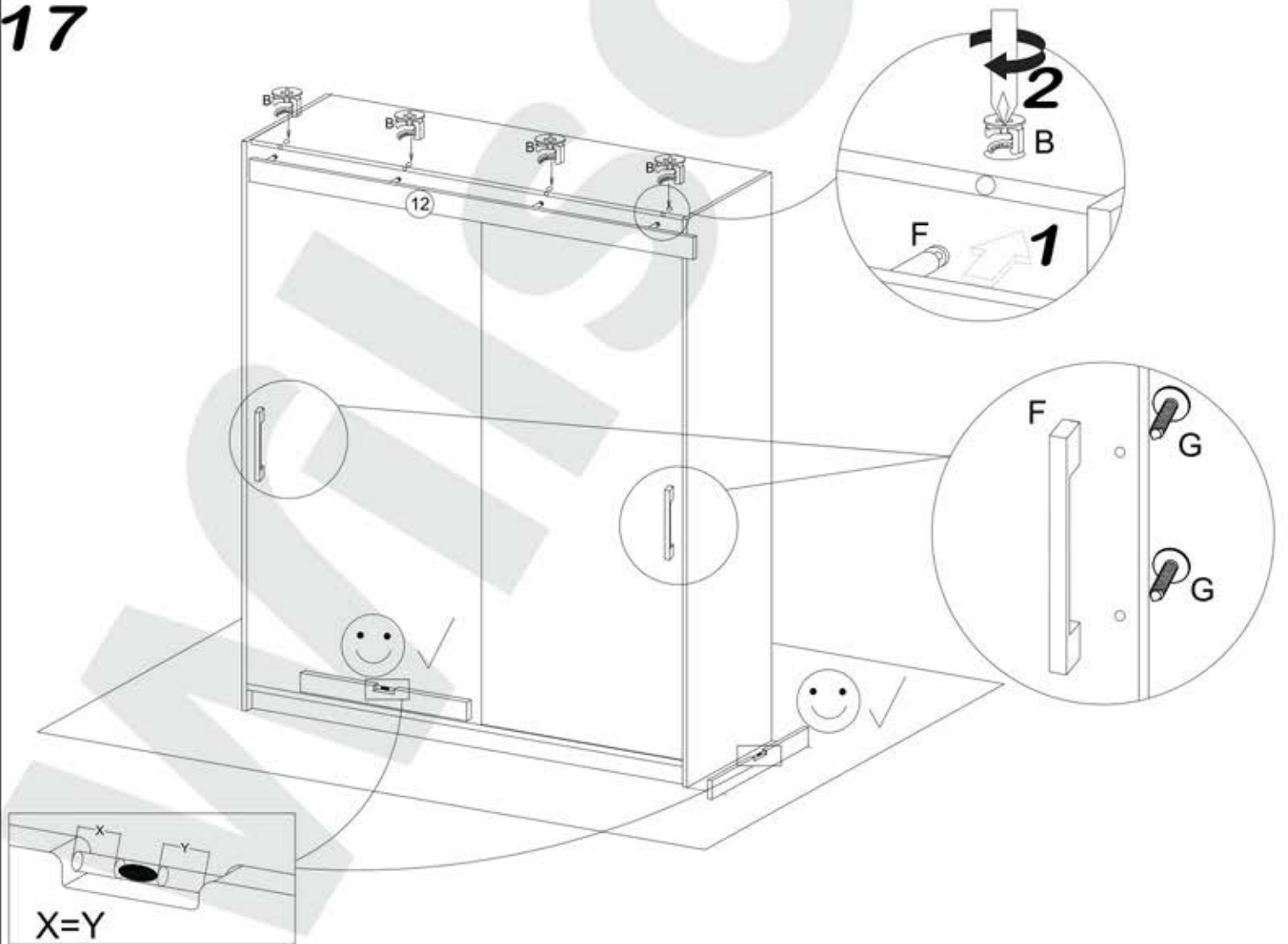
3



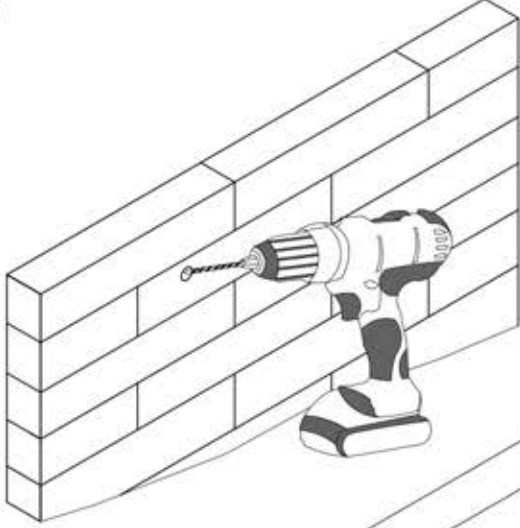
16



17

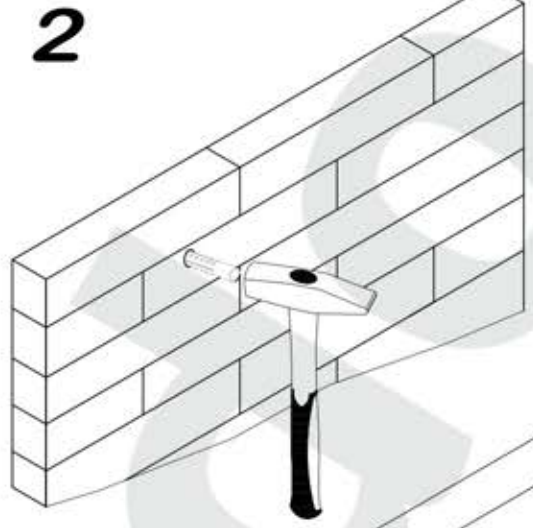


1

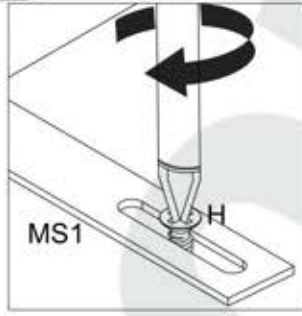
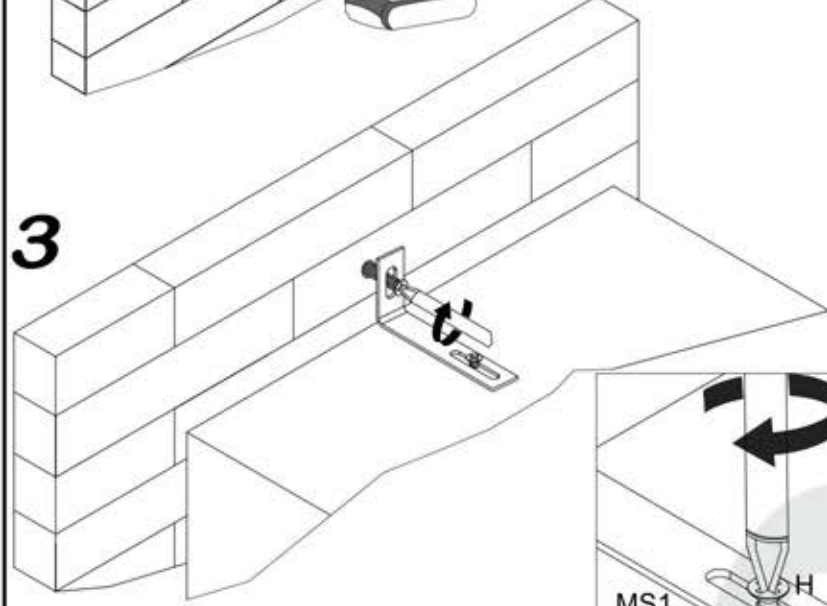


| | |
|--------|-----|
| 3.5x16 | |
| | |
| H | MS1 |
| 1 | 1 |

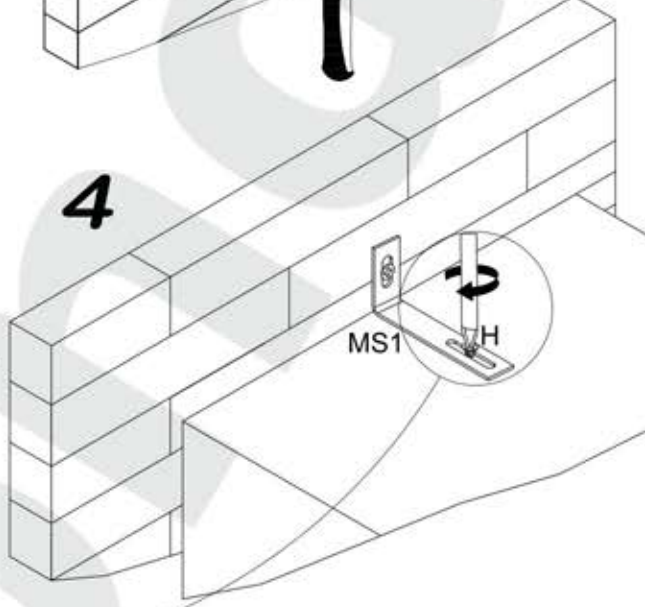
2



3



4



MS1