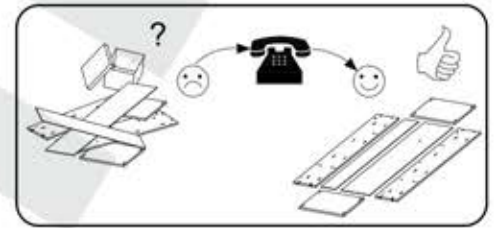
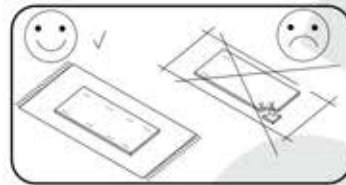
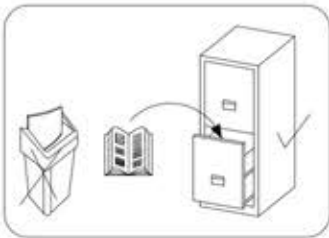
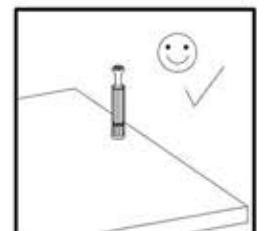
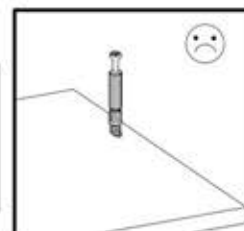
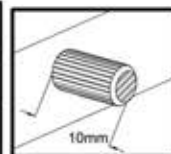
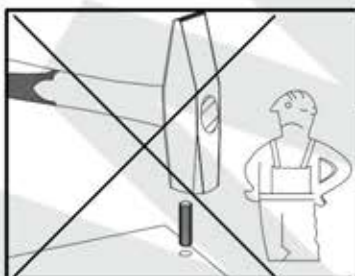




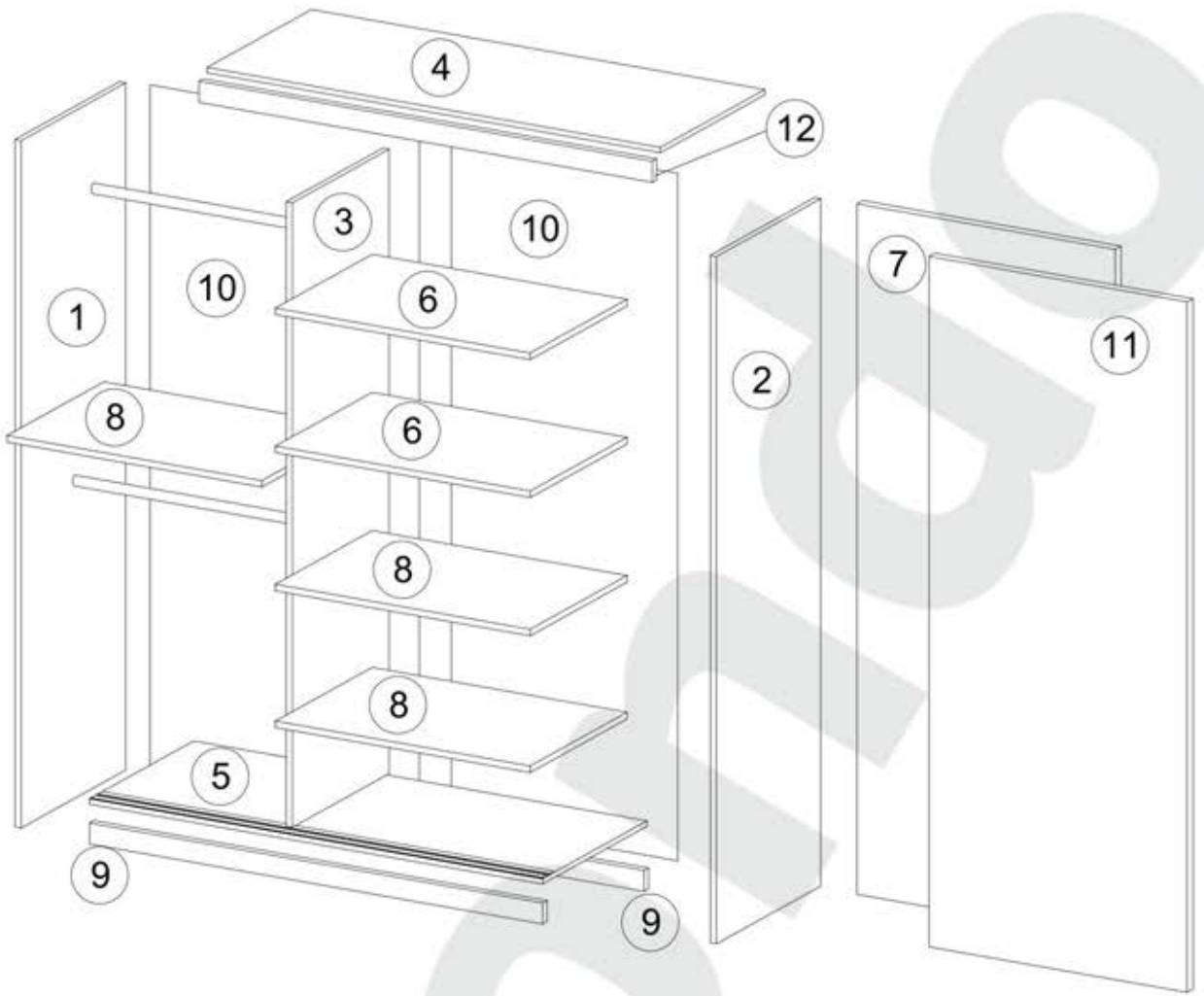
180 minut  
180 minuten  
180 minutes  
180 minuten  
180 minutes



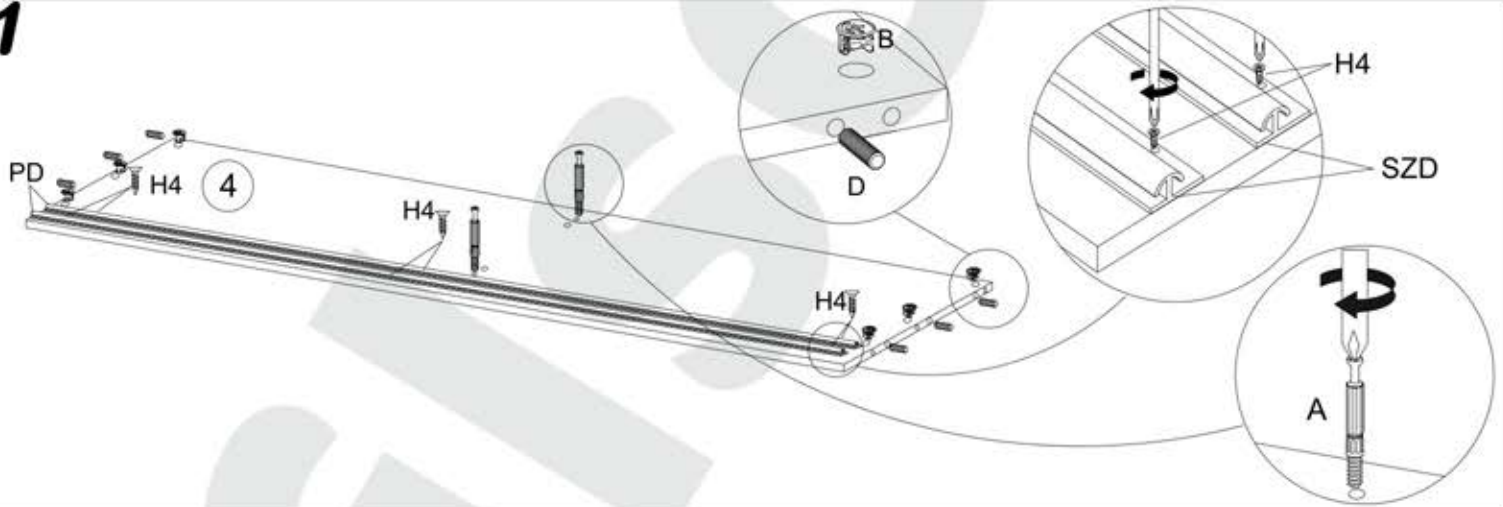
8.0x35  D 16	4.0x25  G 4	 Y 12	 A 28	 B 28	3.5x16  H 24	 V 12	 N 4	 K2 4	 K1 4	 S3 8
 X 20	 F 2	 S 19	 S1 40	 I 30	L-465  V1 2	6.3x13  Q 8	 J 8	 PD 4	3.0x13  H4 12	



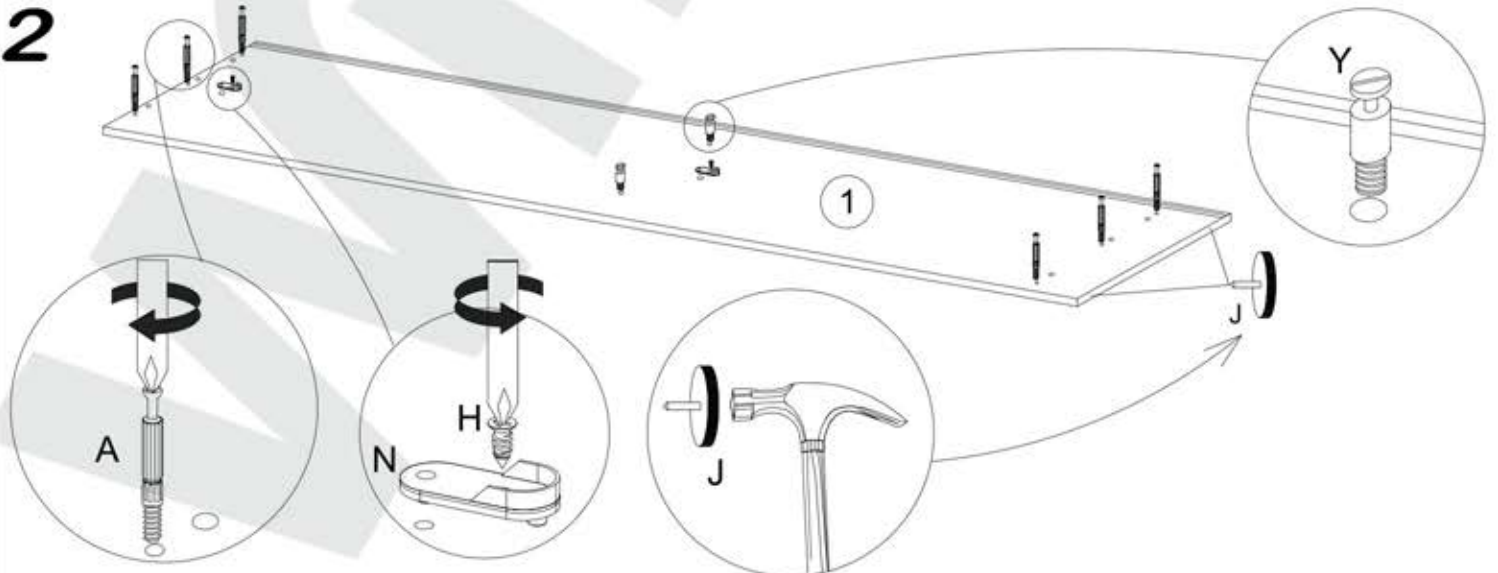
No.	Pcs.	L	W	D
1.	1	2000	620	16
2.	1	2000	620	16
3.	1	1888	480	16
4.	1	968	582	16
5.	1	968	600	16
6.	2	475	480	16
7.	1	1873	500	16
8.	3	475	480	16
9.	2	968	80	16
10.	2	1918	492	3
11.	1	1873	500	16
12.	1	968	70	16



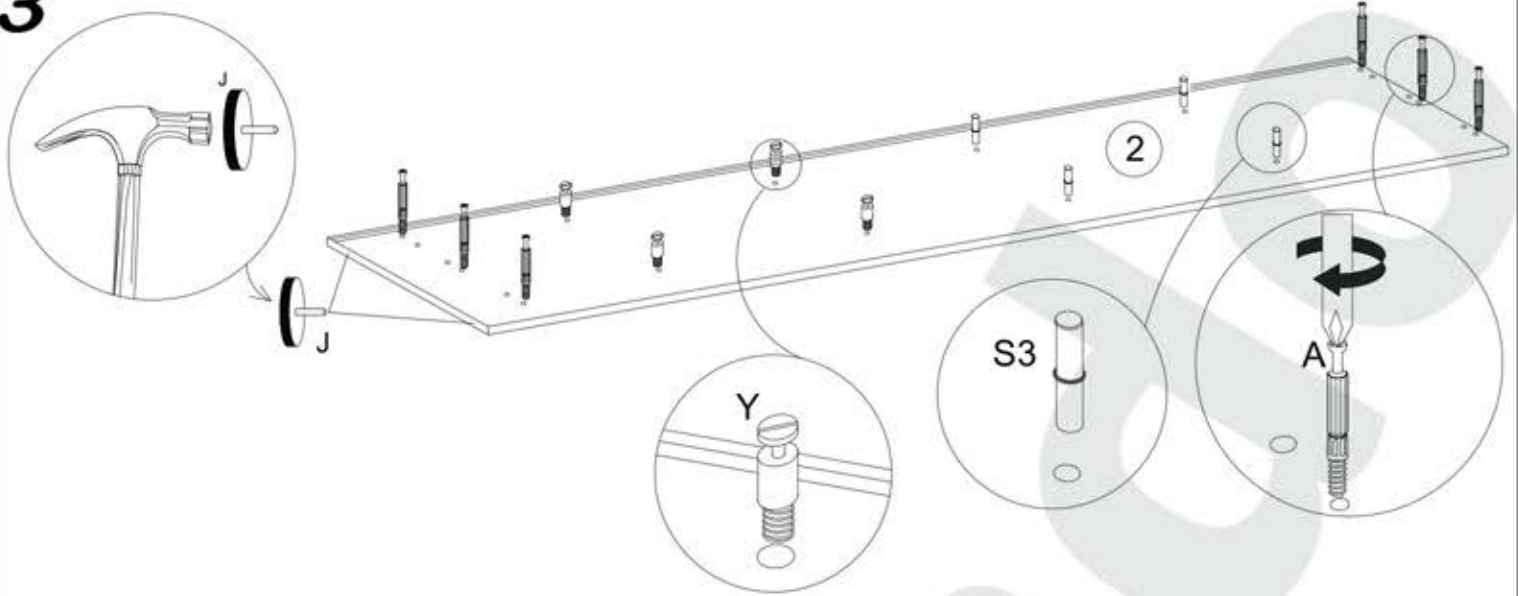
1



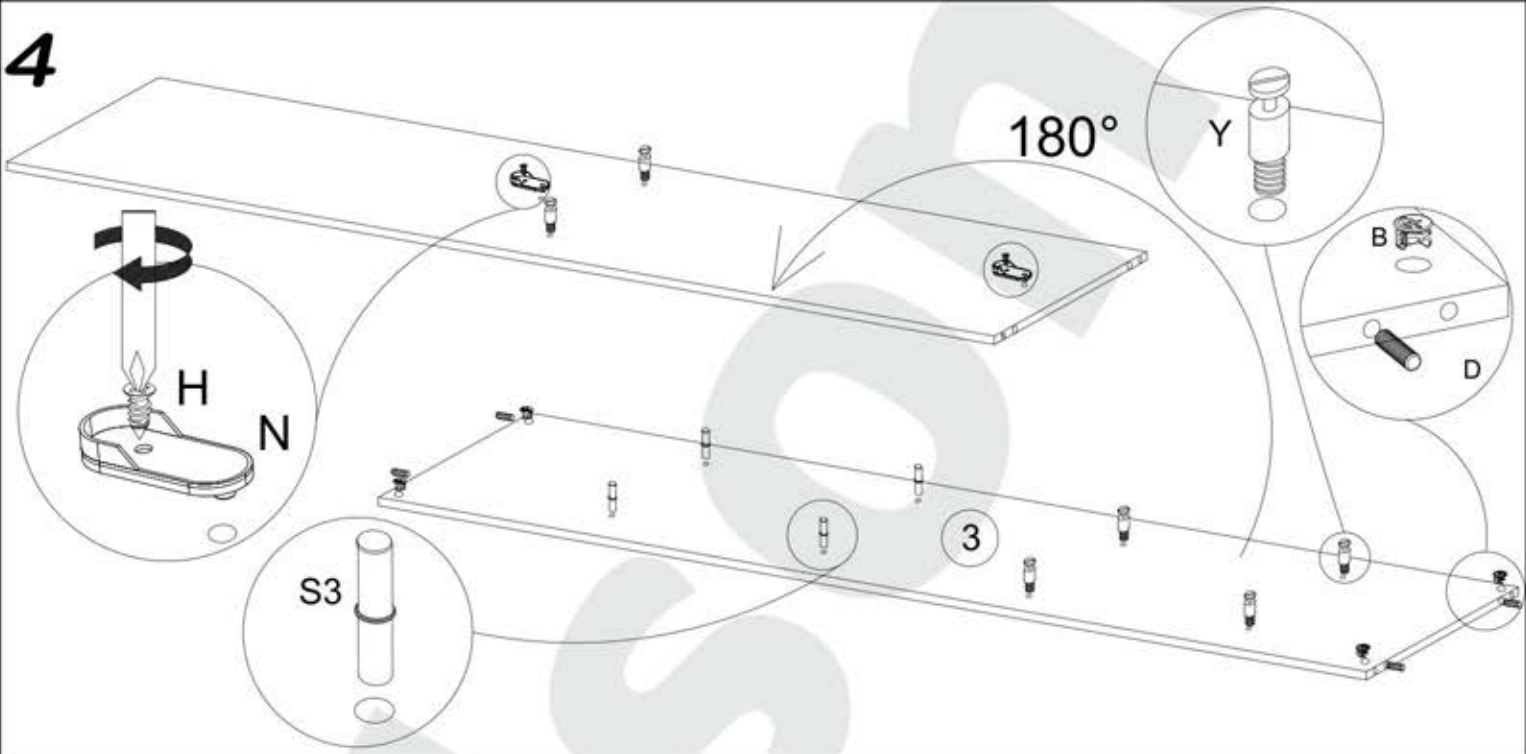
2



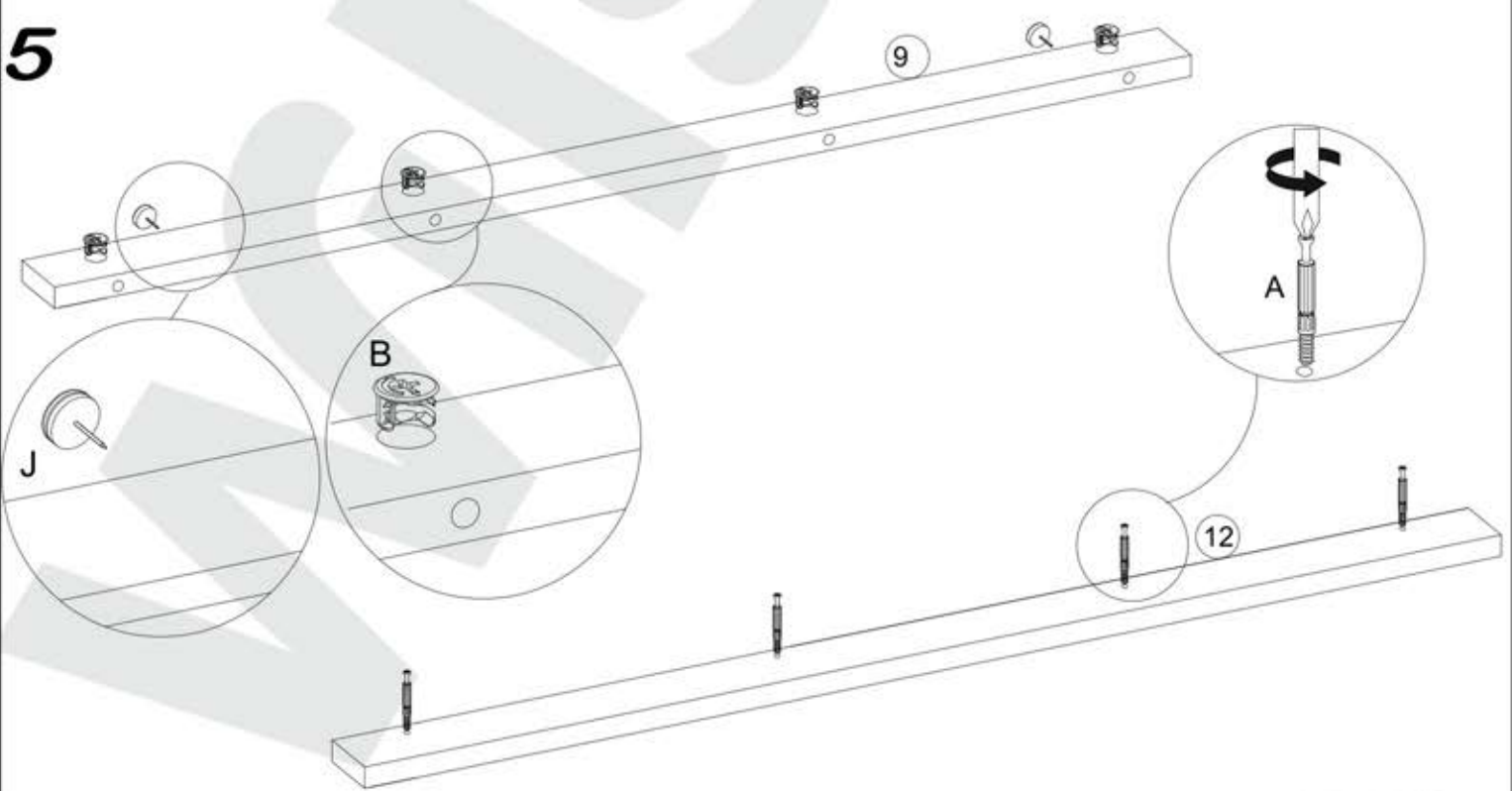
3

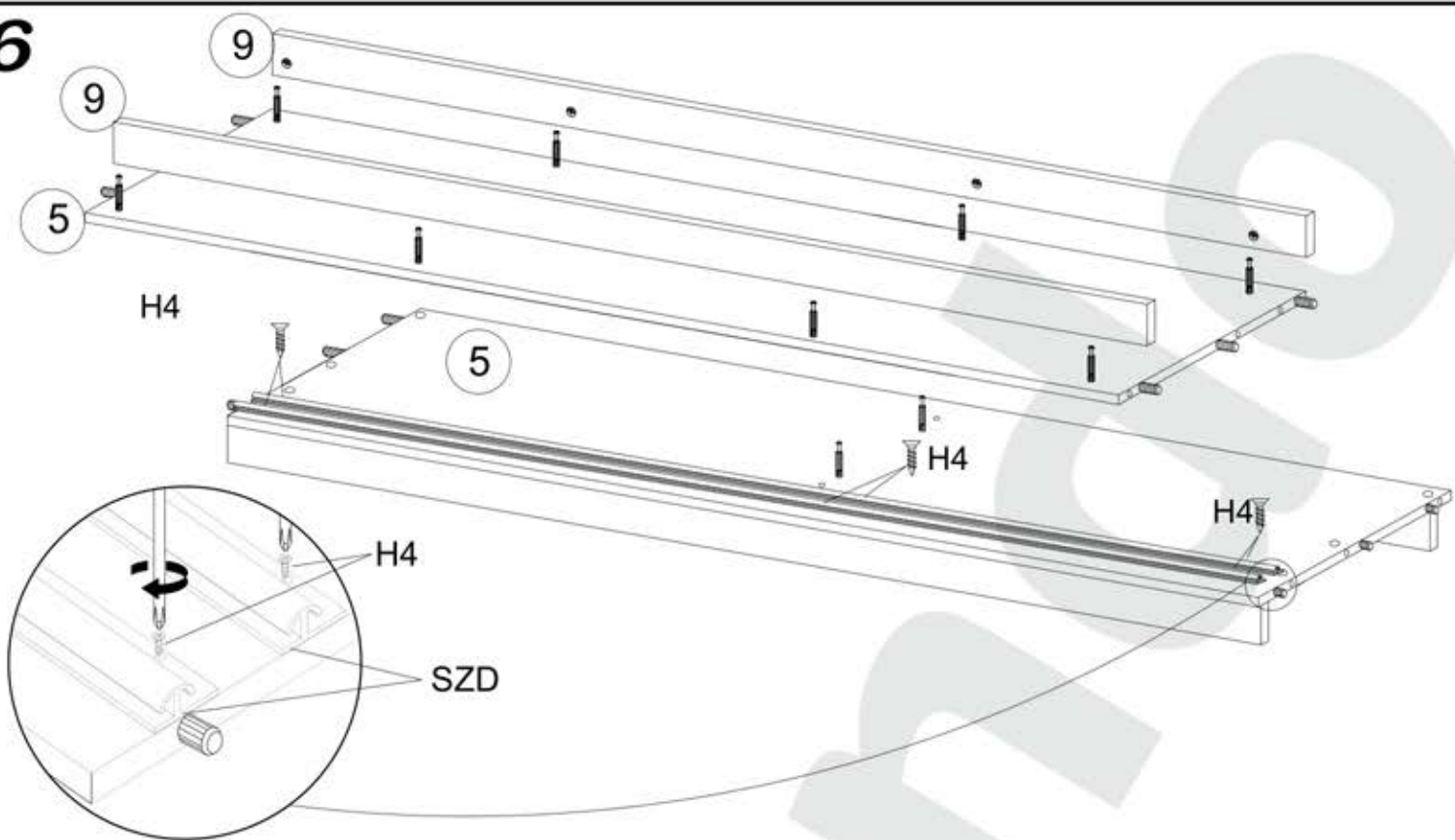
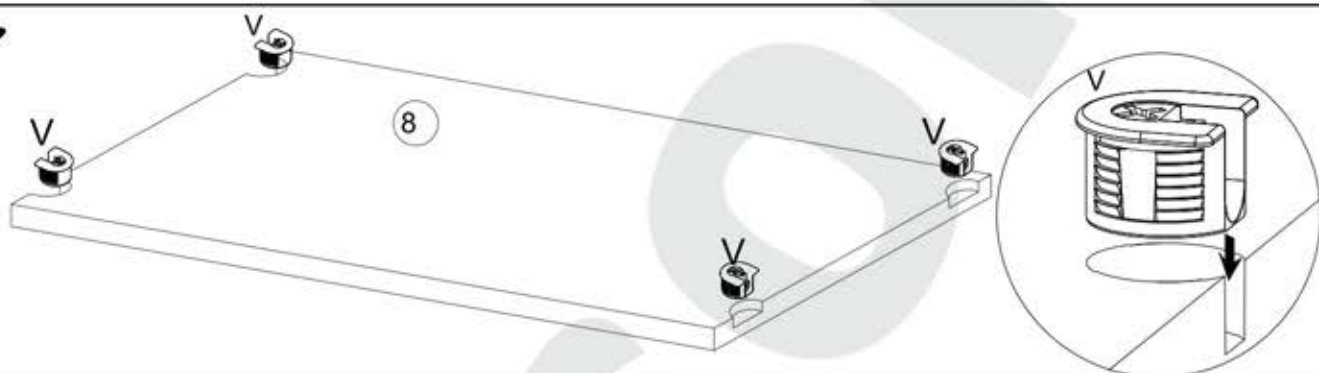
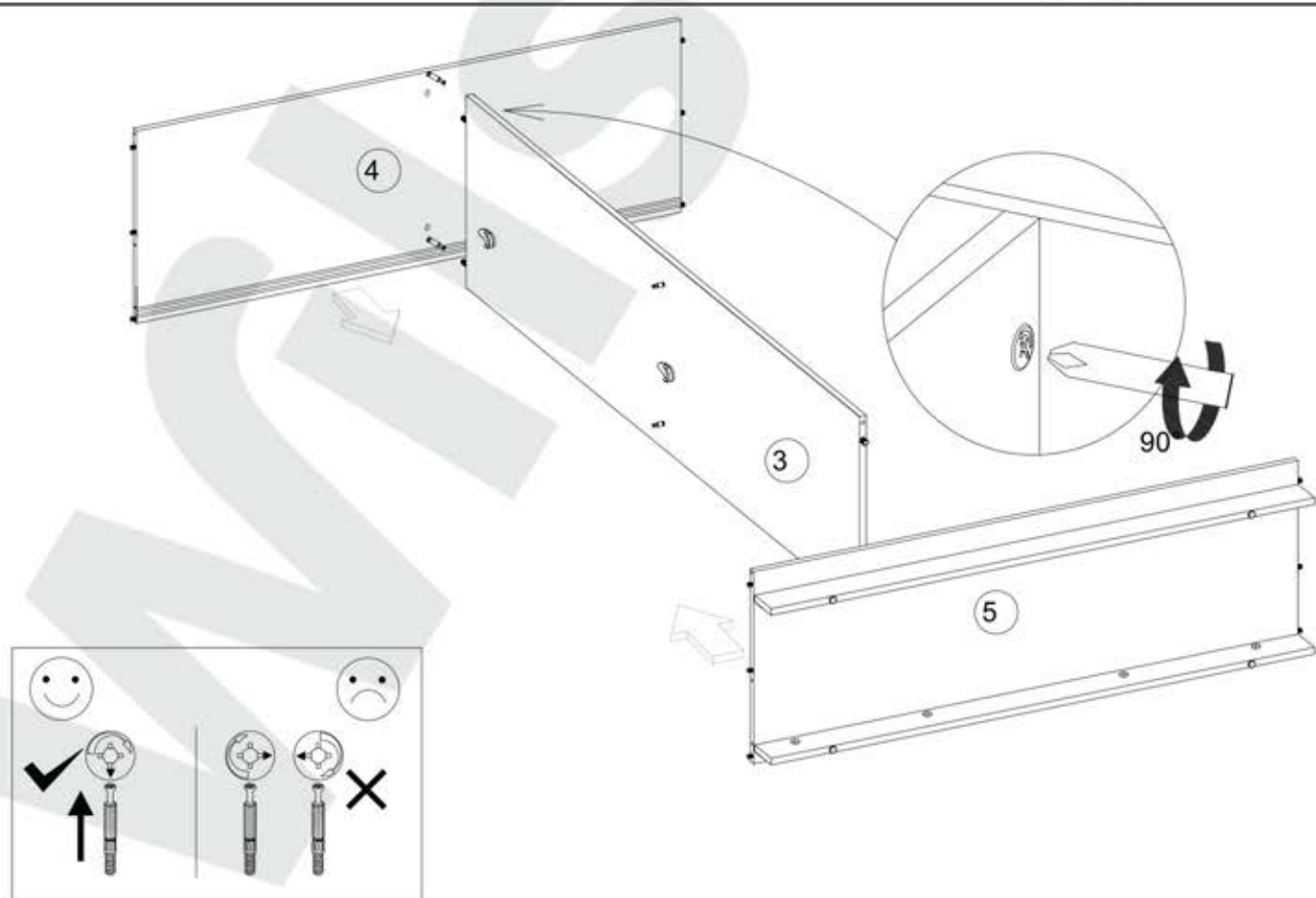


4



5



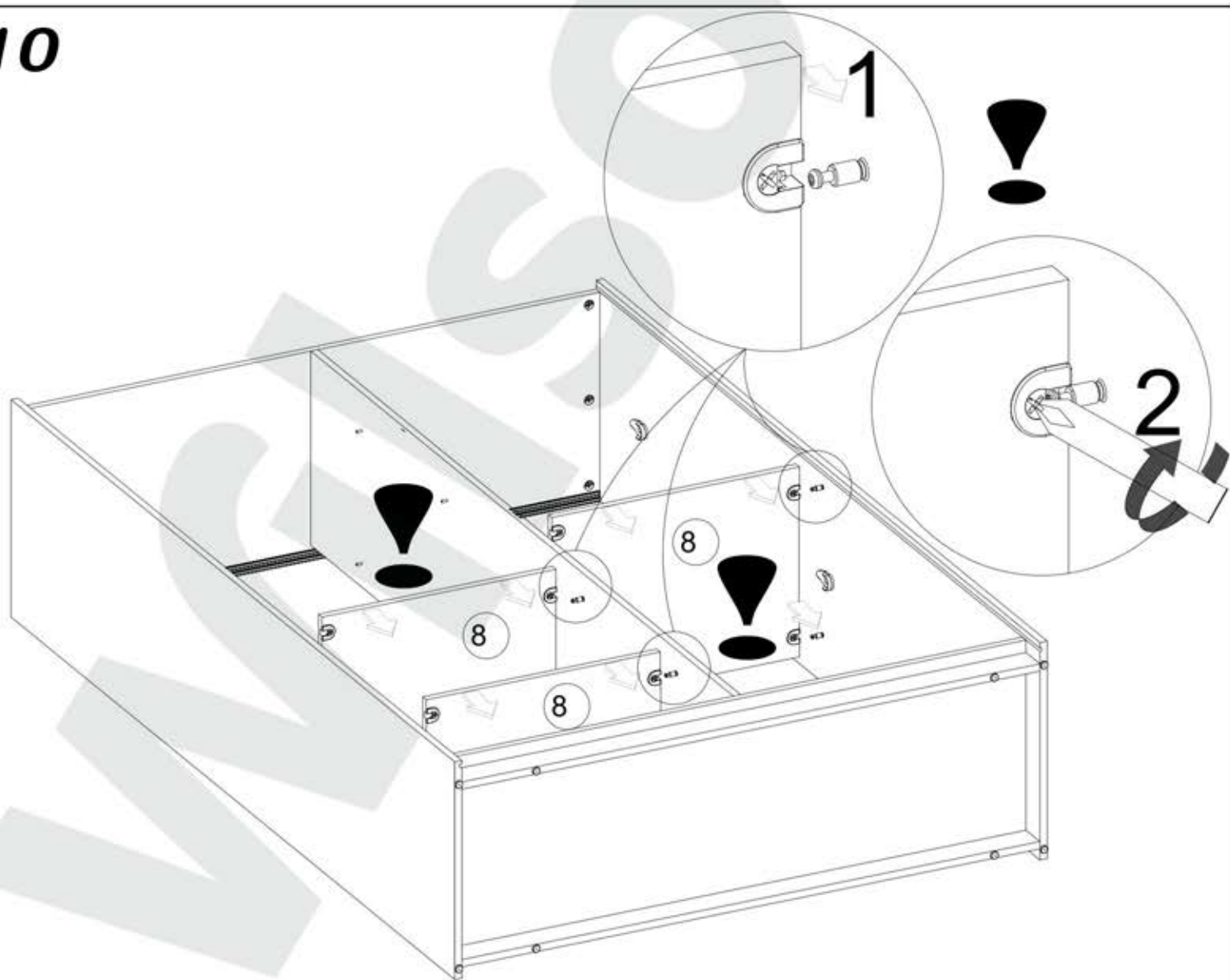
**6****7****8**



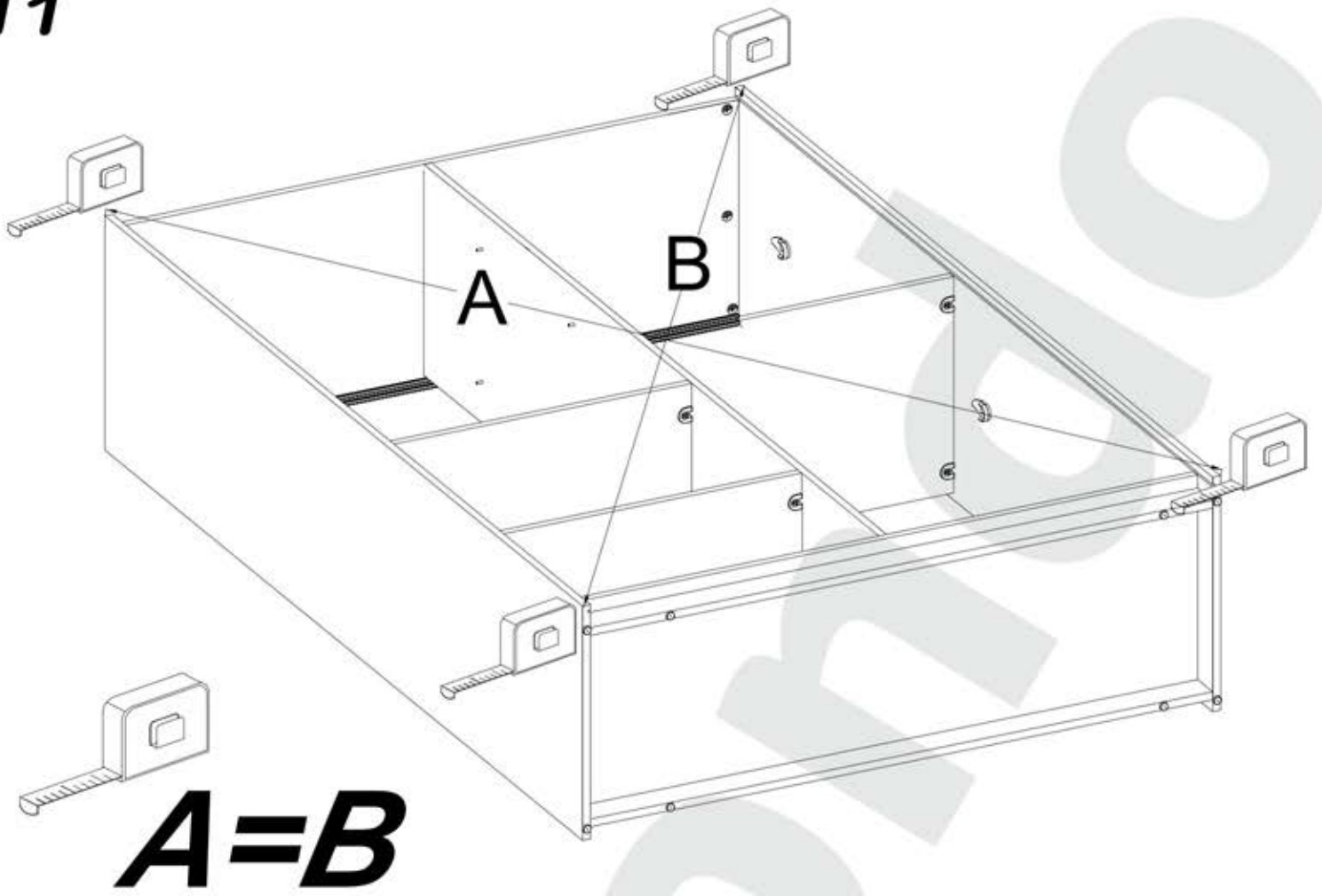
9



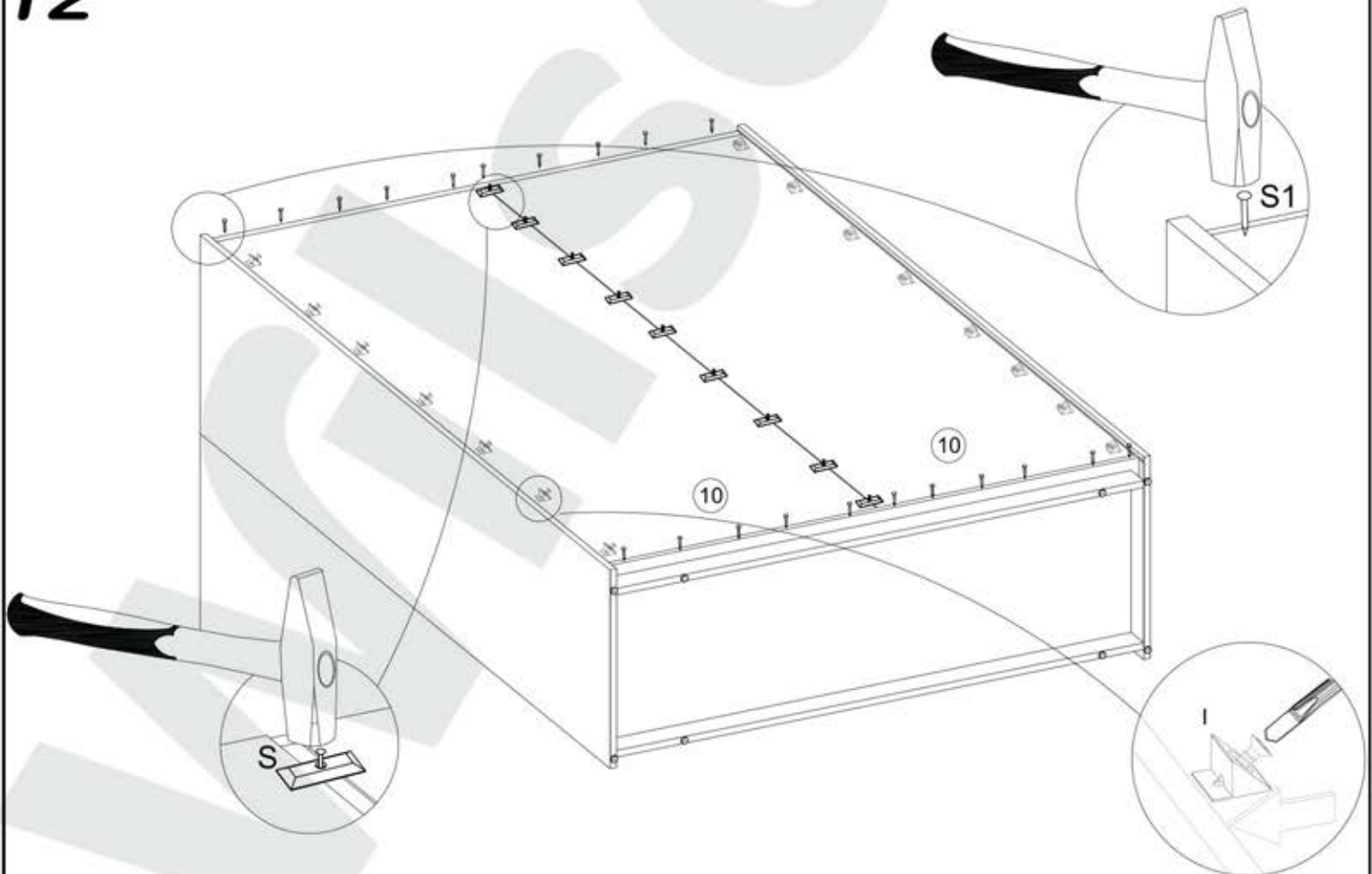
10



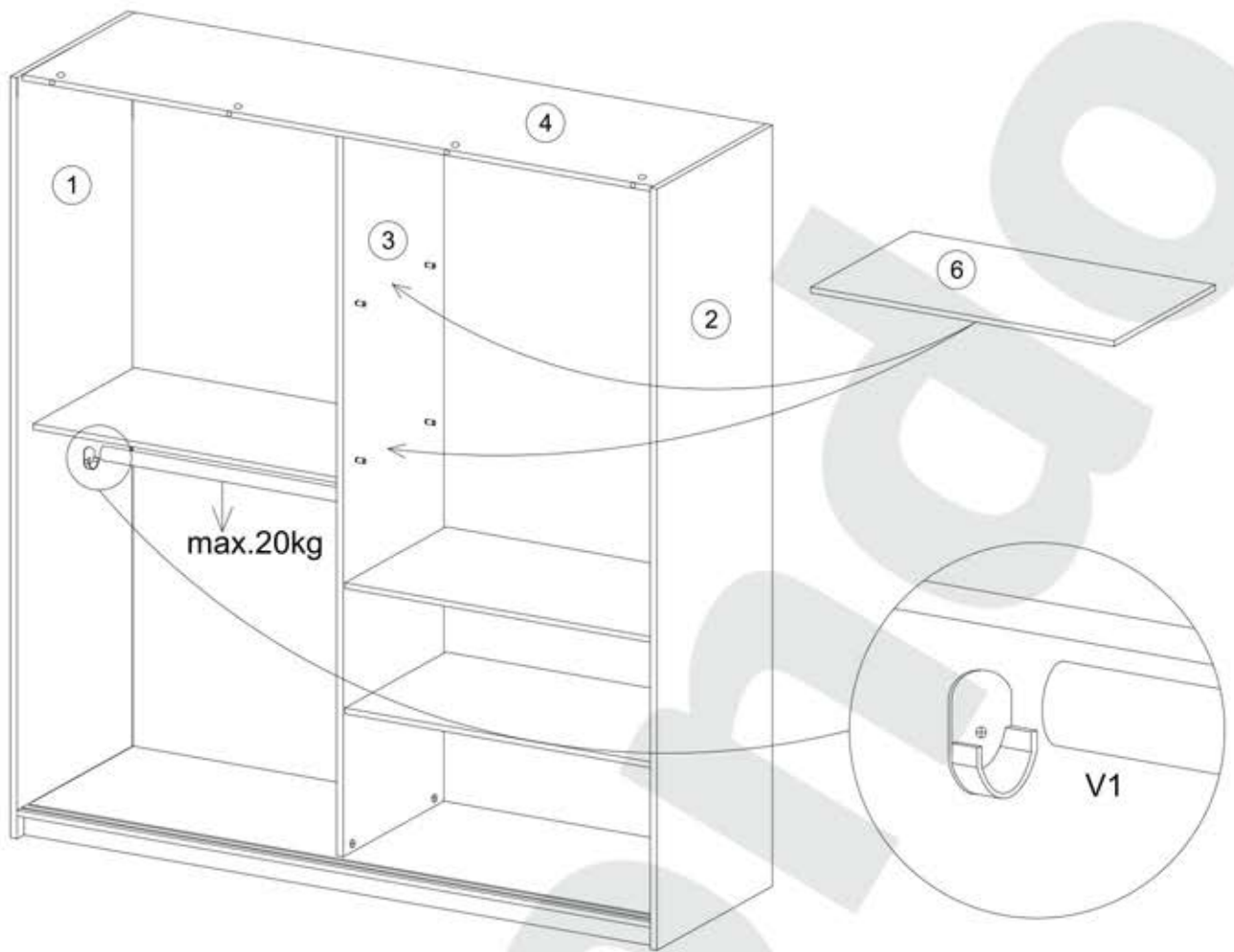
11



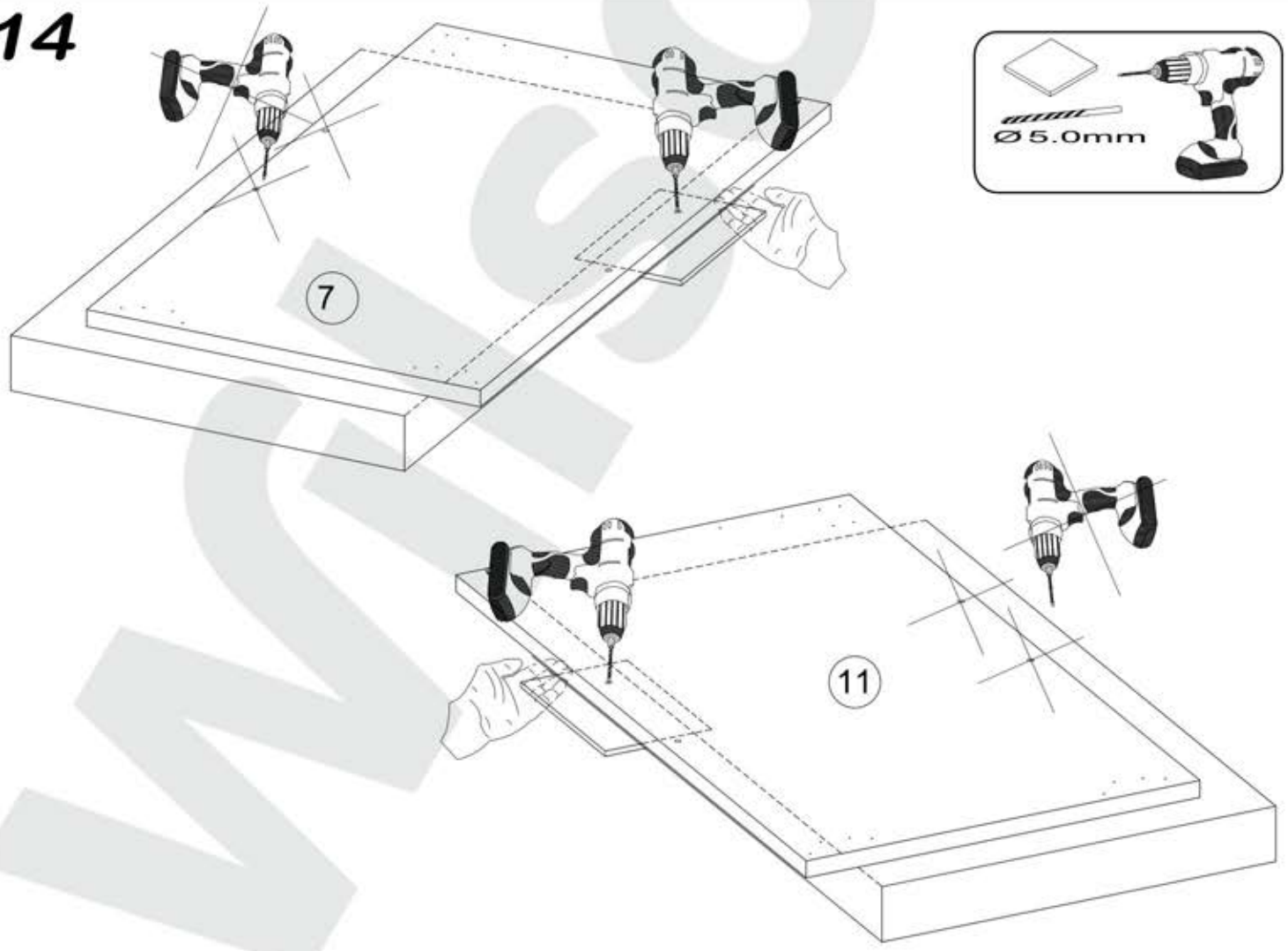
12



13

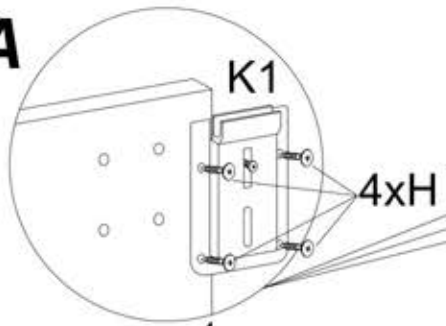


14

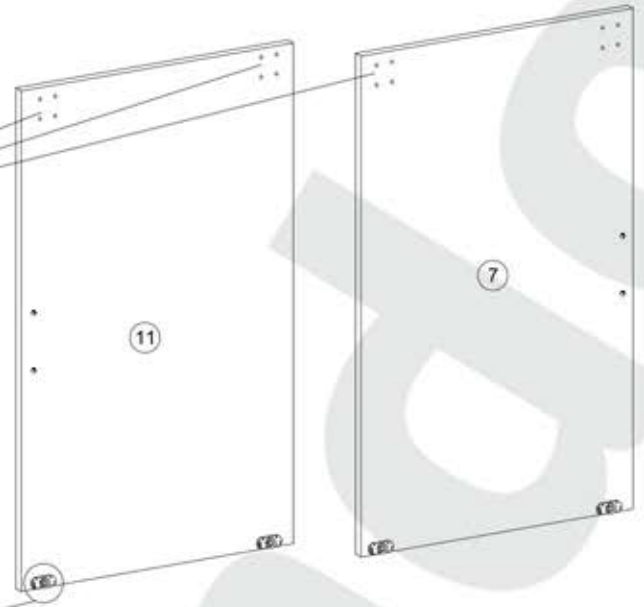
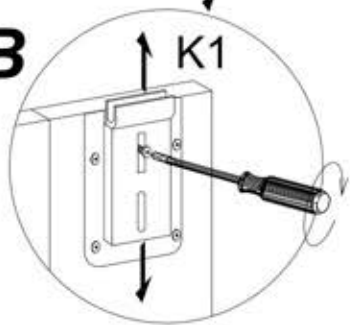


15

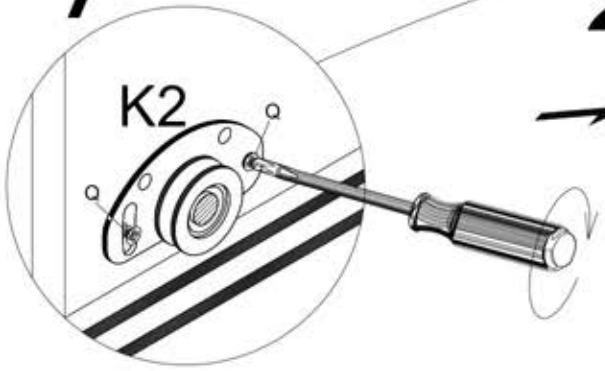
A



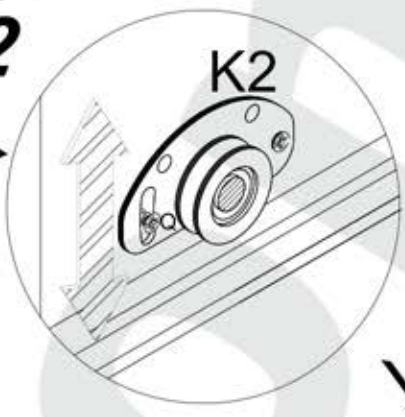
B



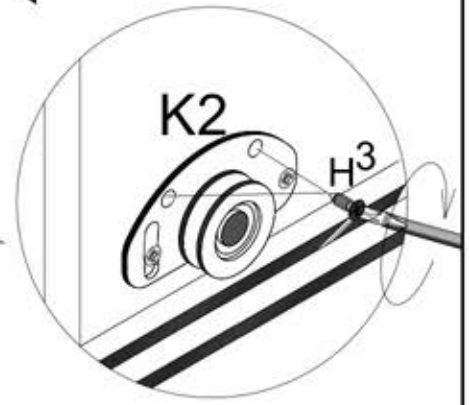
1



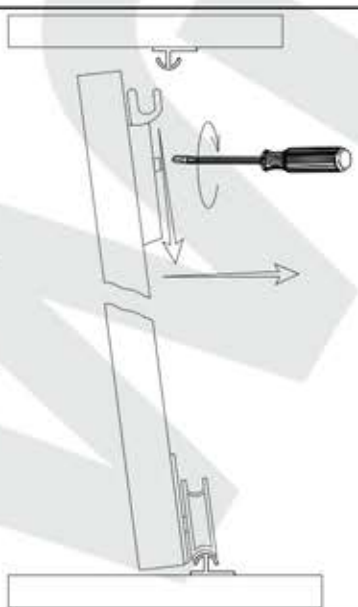
2



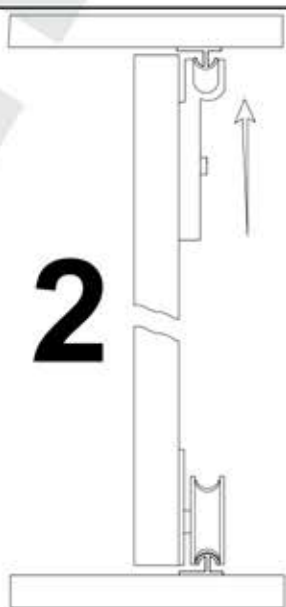
3



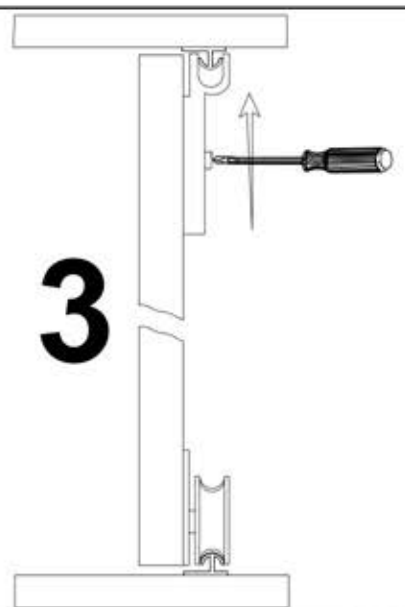
1



2

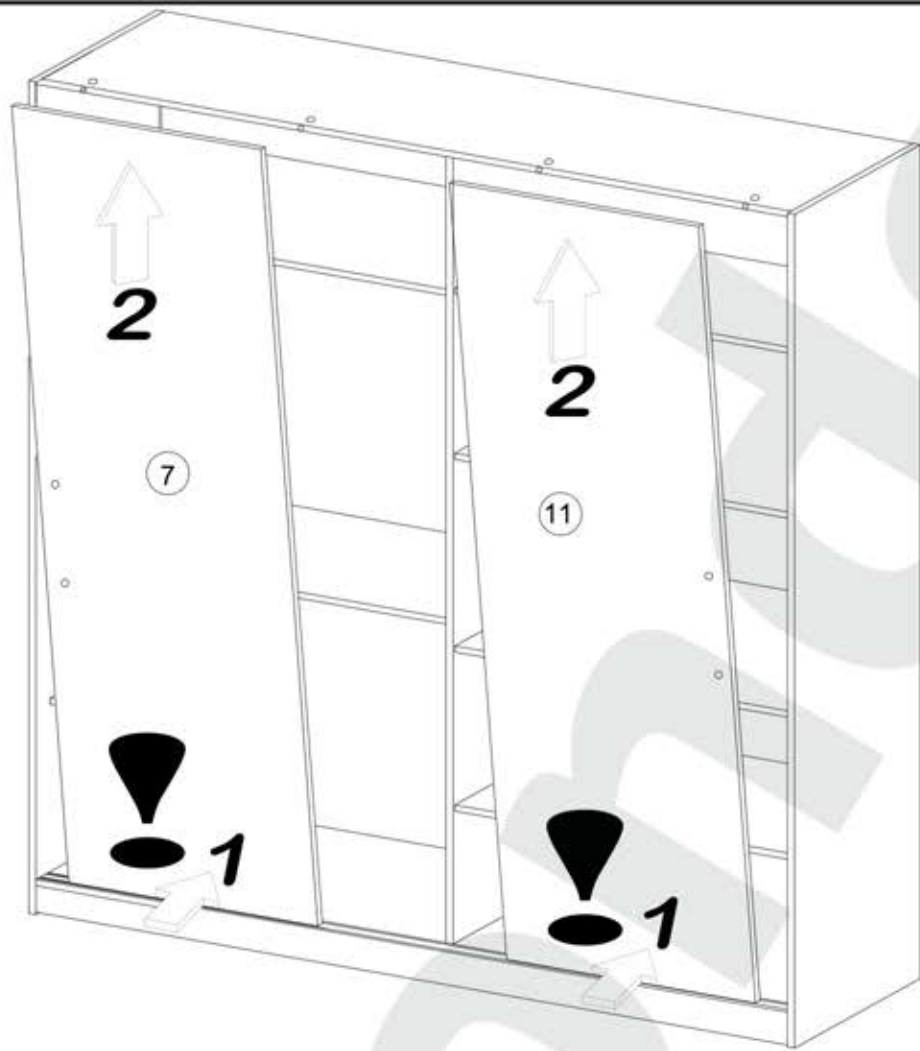


3

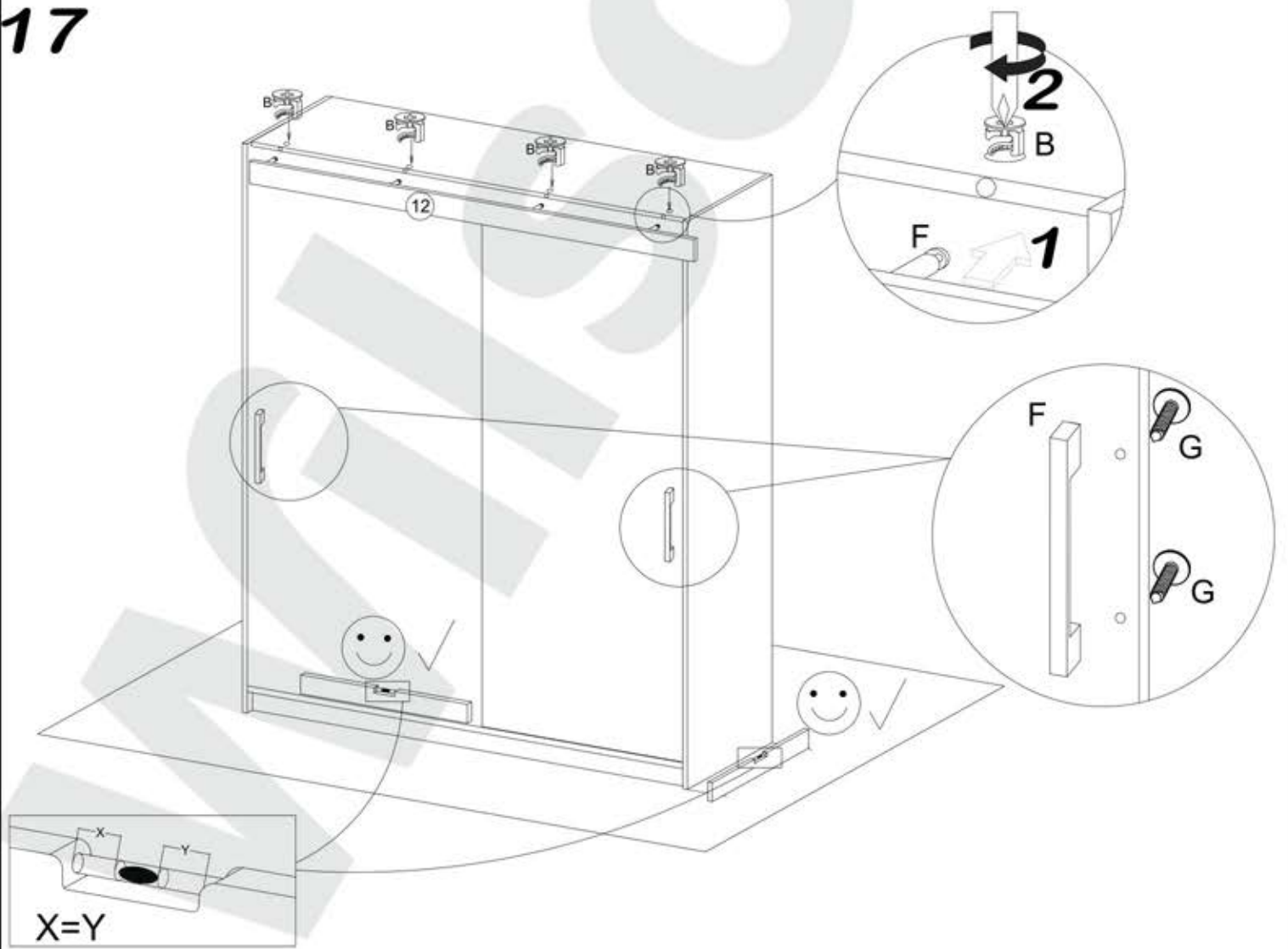






16

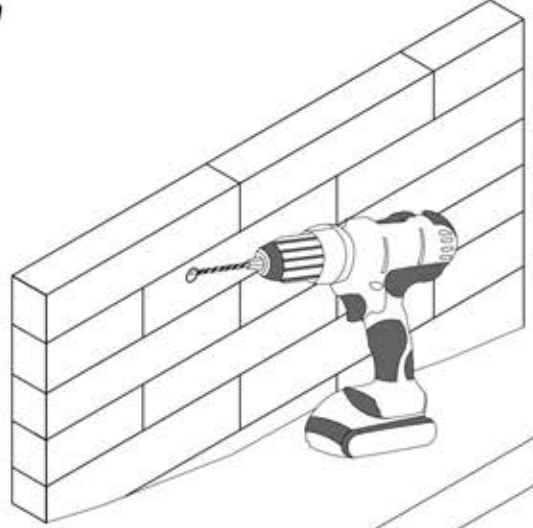


17

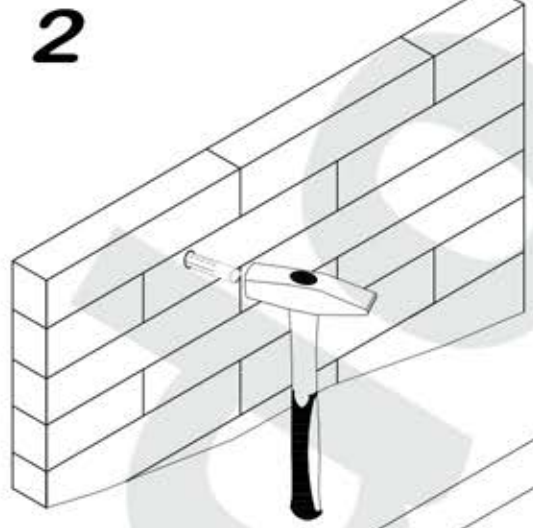


1

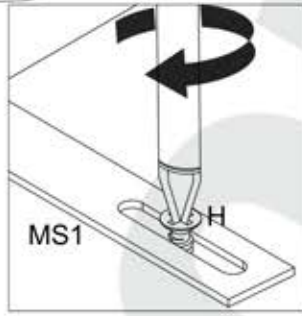
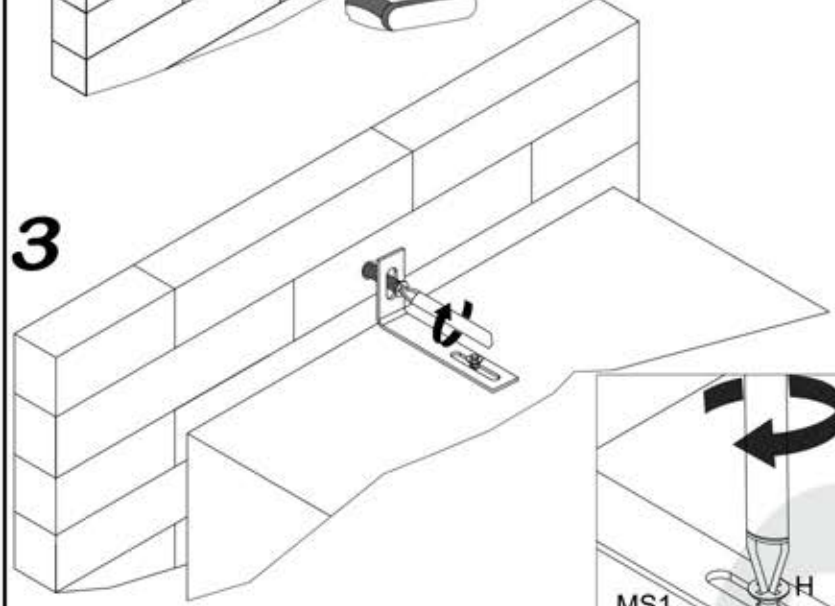
3.5x16	
	
H	MS1
1	1



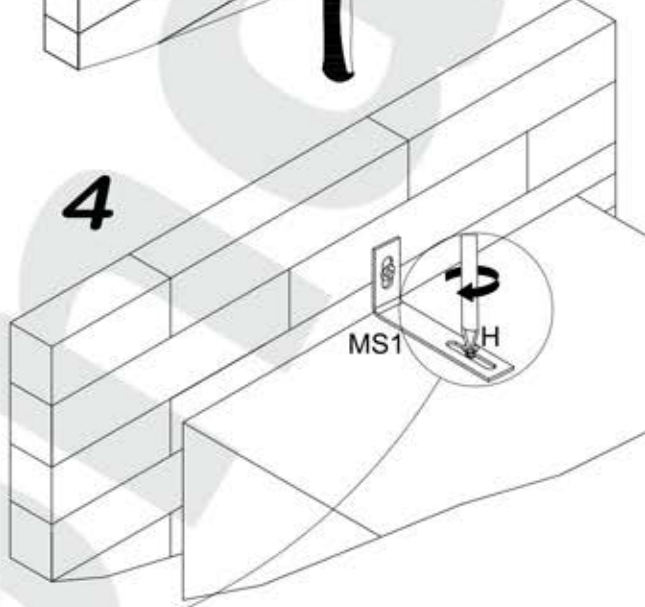
2



3



4



MS1