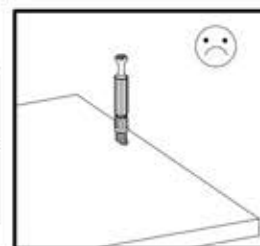
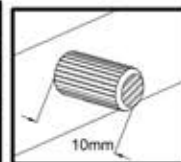
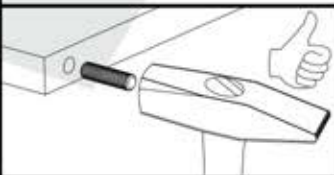
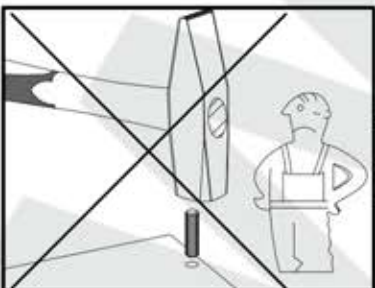
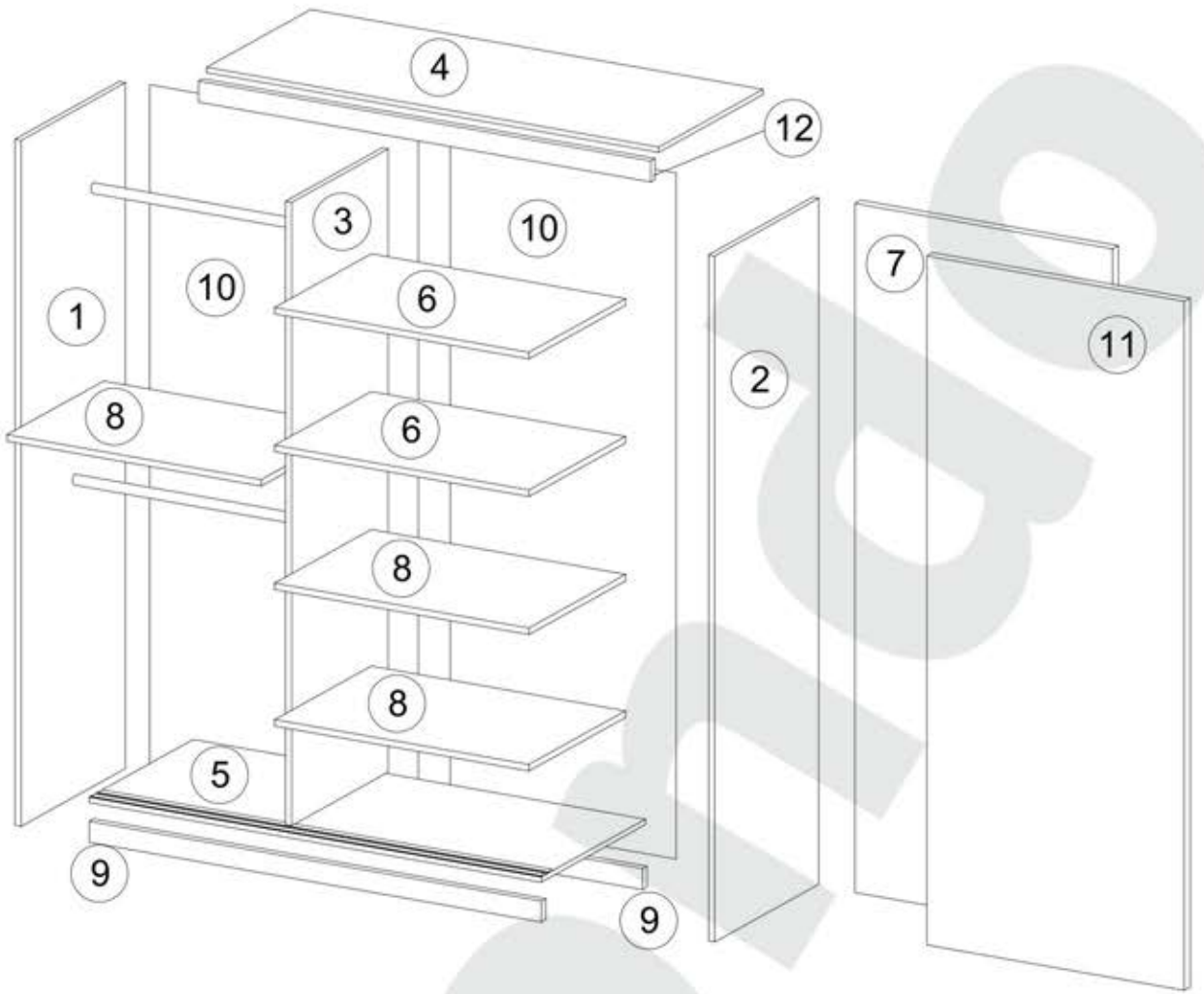


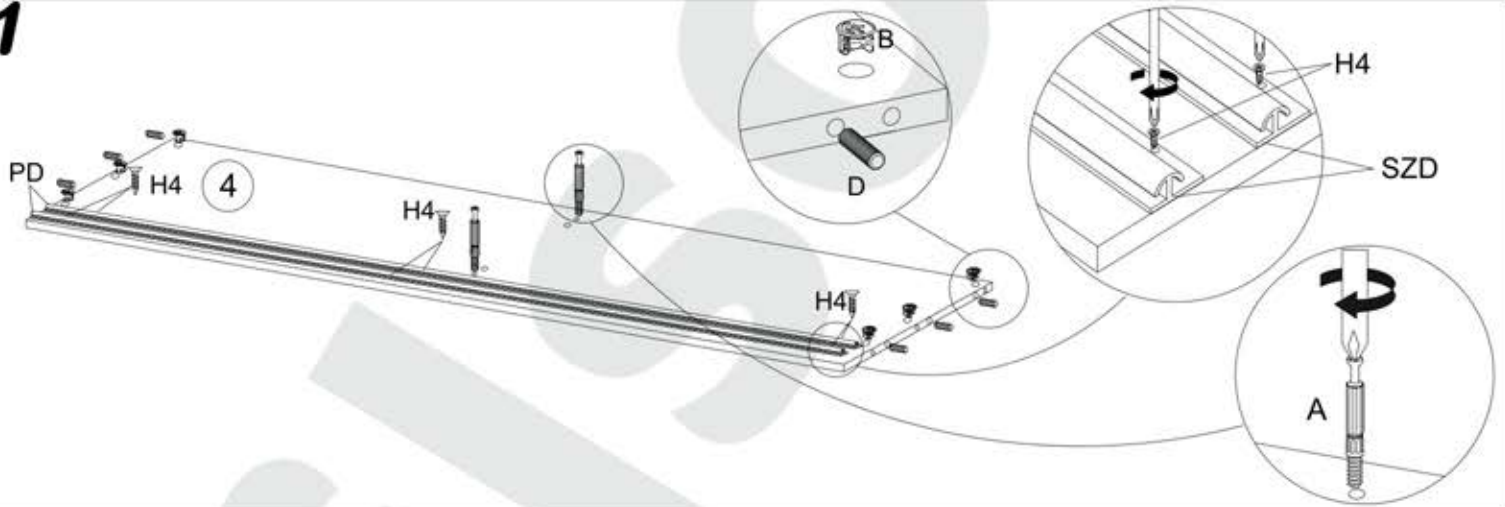
8.0x35 D 16	4.0x25 G 4	 Y 12	 A 28	 B 28	3.5x16 H 24	 V 12	 N 4	 K2 4	 K1 4	 S3 8
 X 20	 F 2	 S 19	 S1 40	 I 30	L-465 V1 2	6.3x13 Q 8	 J 8	 PD 4	3.0x13 H4 12	



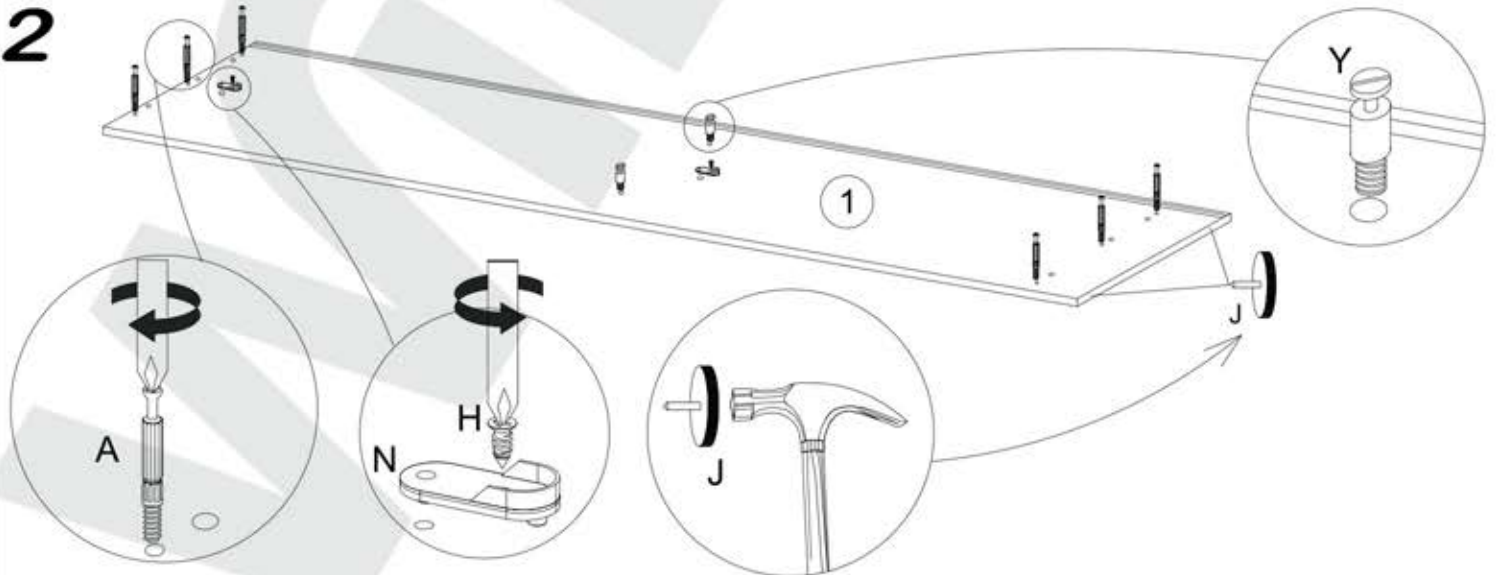
No.	Pcs.	L	W	D
1.	1	2000	620	16
2.	1	2000	620	16
3.	1	1888	480	16
4.	1	968	582	16
5.	1	968	600	16
6.	2	475	480	16
7.	1	1873	500	16
8.	3	475	480	16
9.	2	968	80	16
10.	2	1918	492	3
11.	1	1873	500	16
12.	1	968	70	16

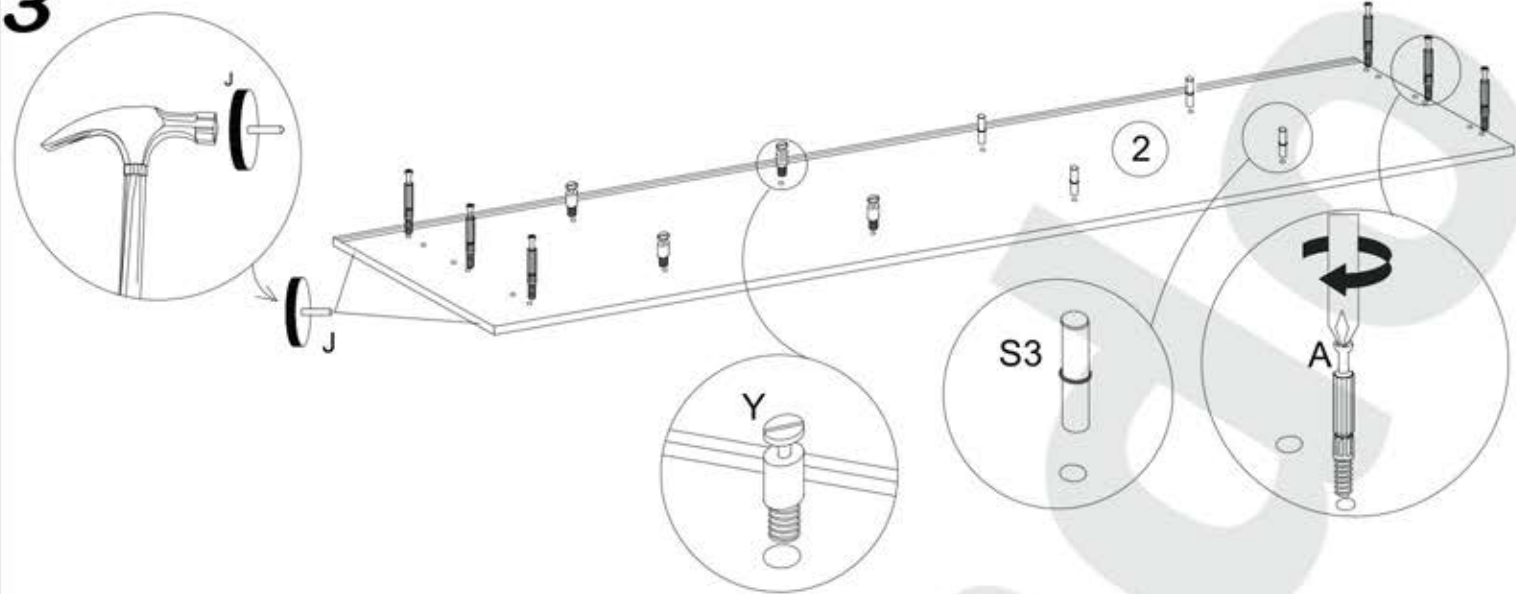
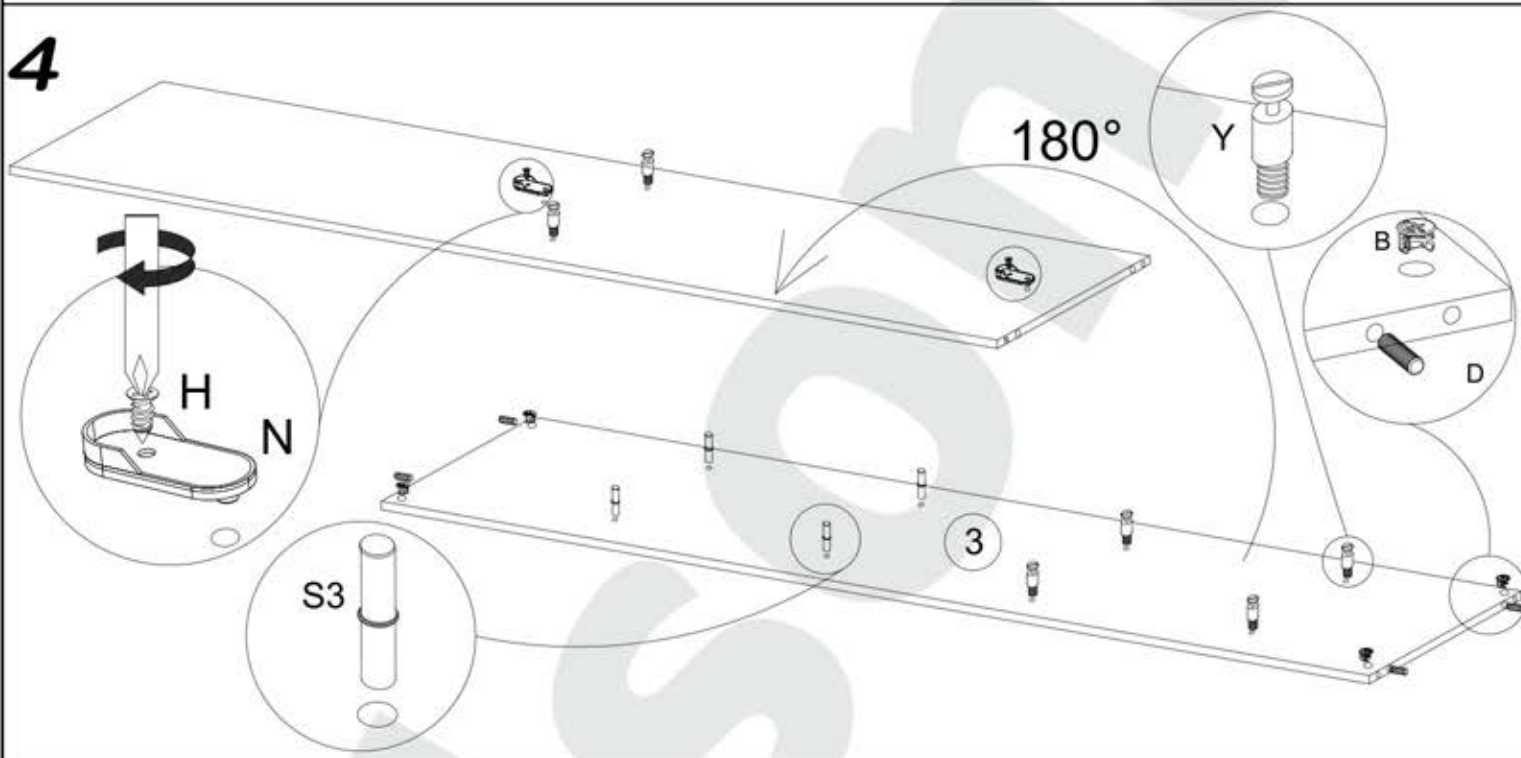
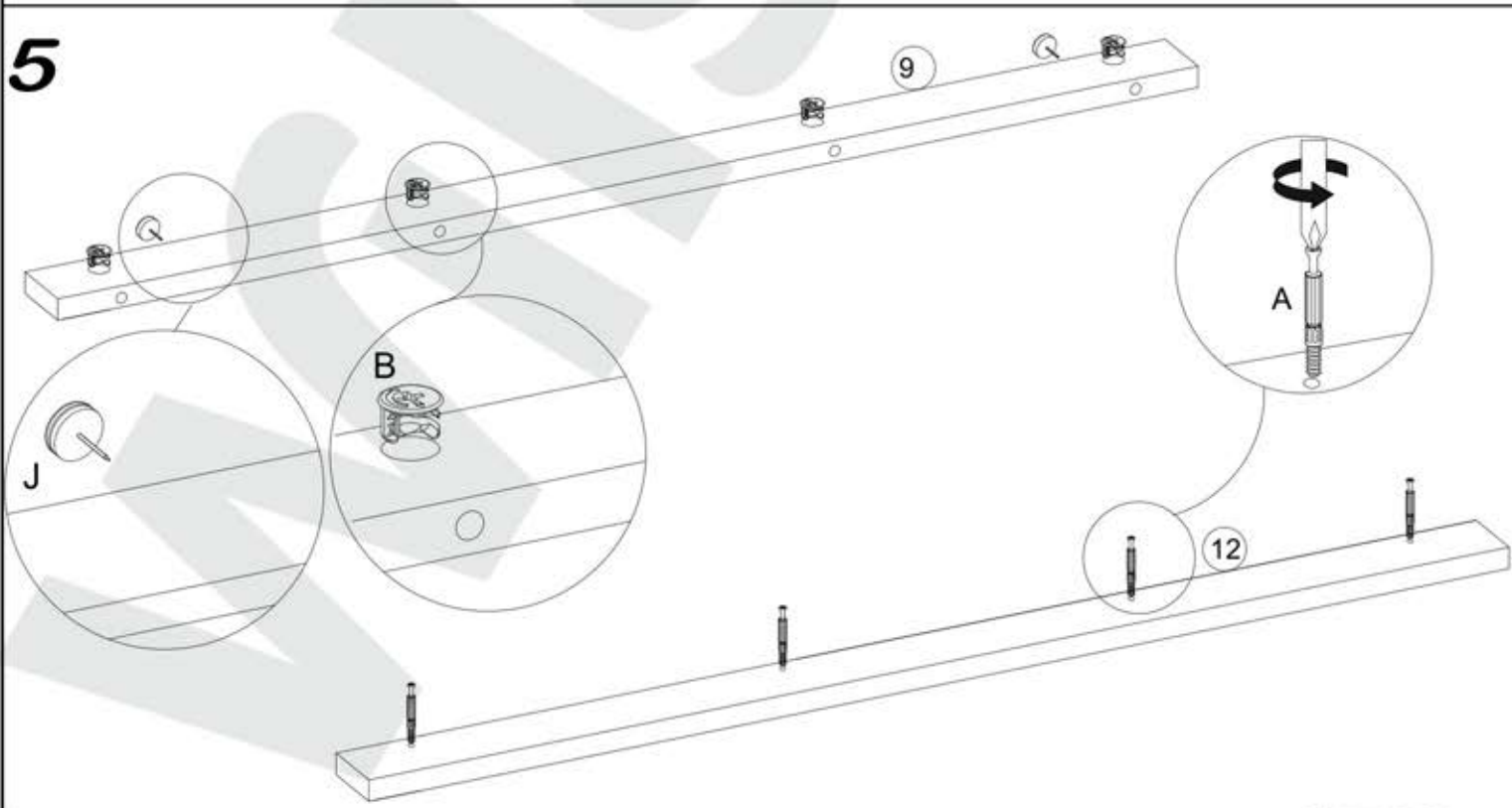


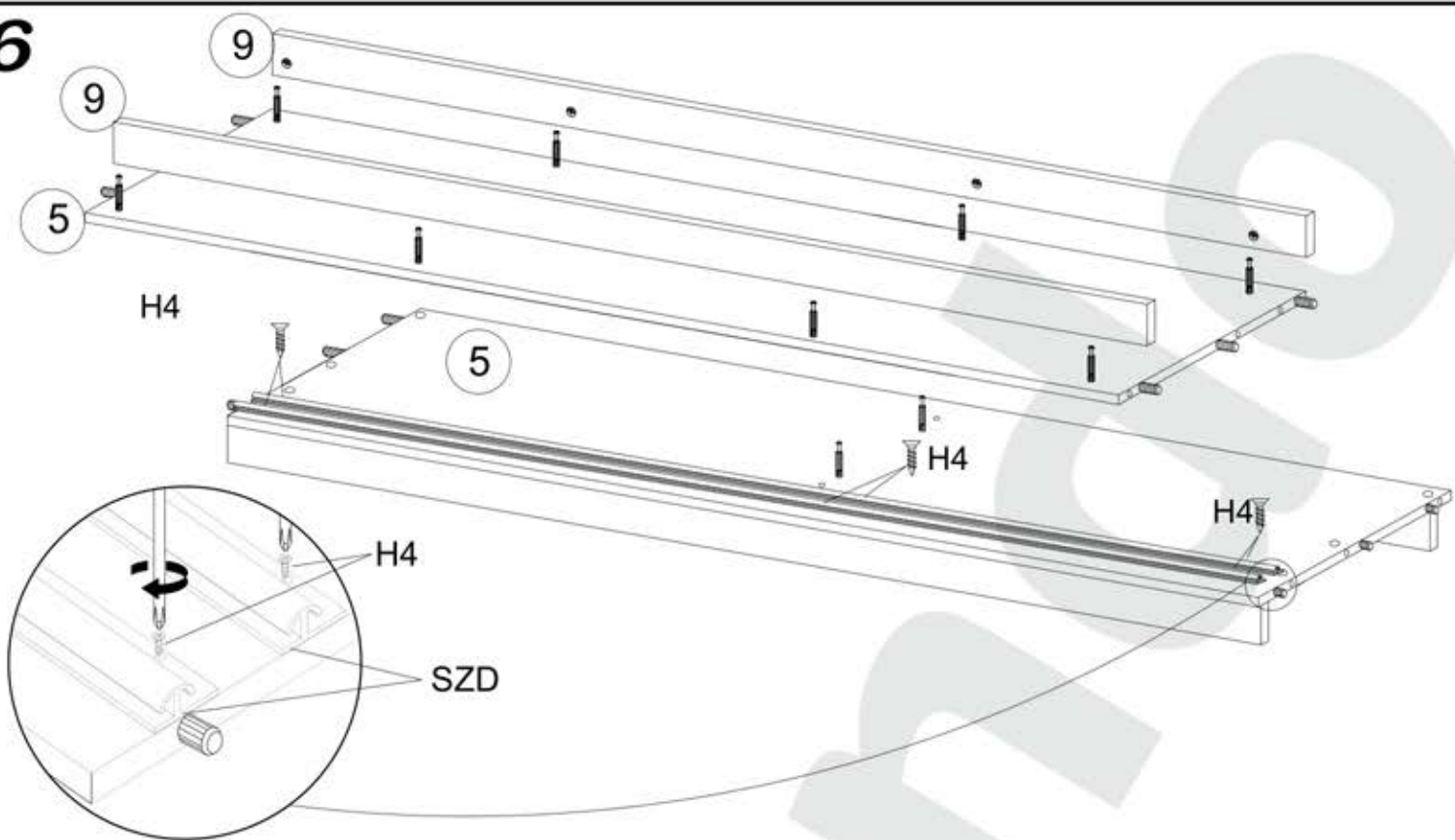
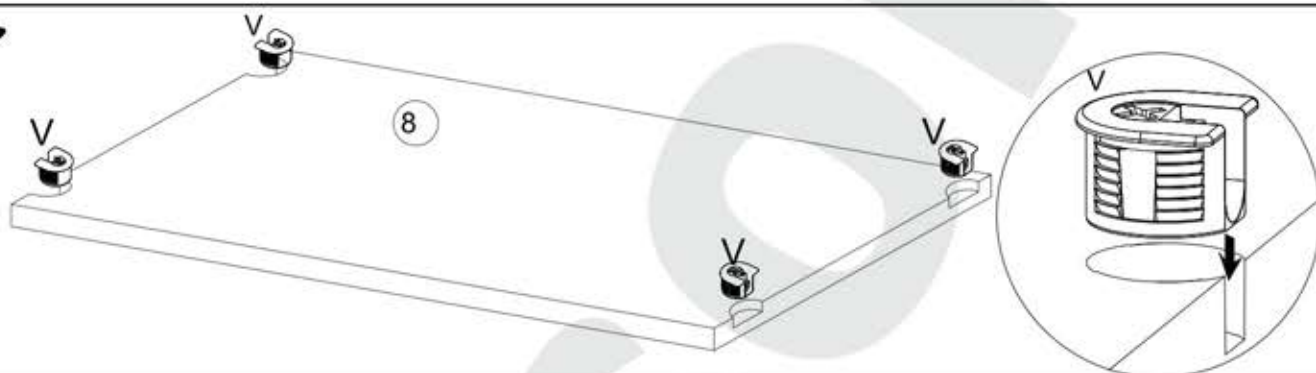
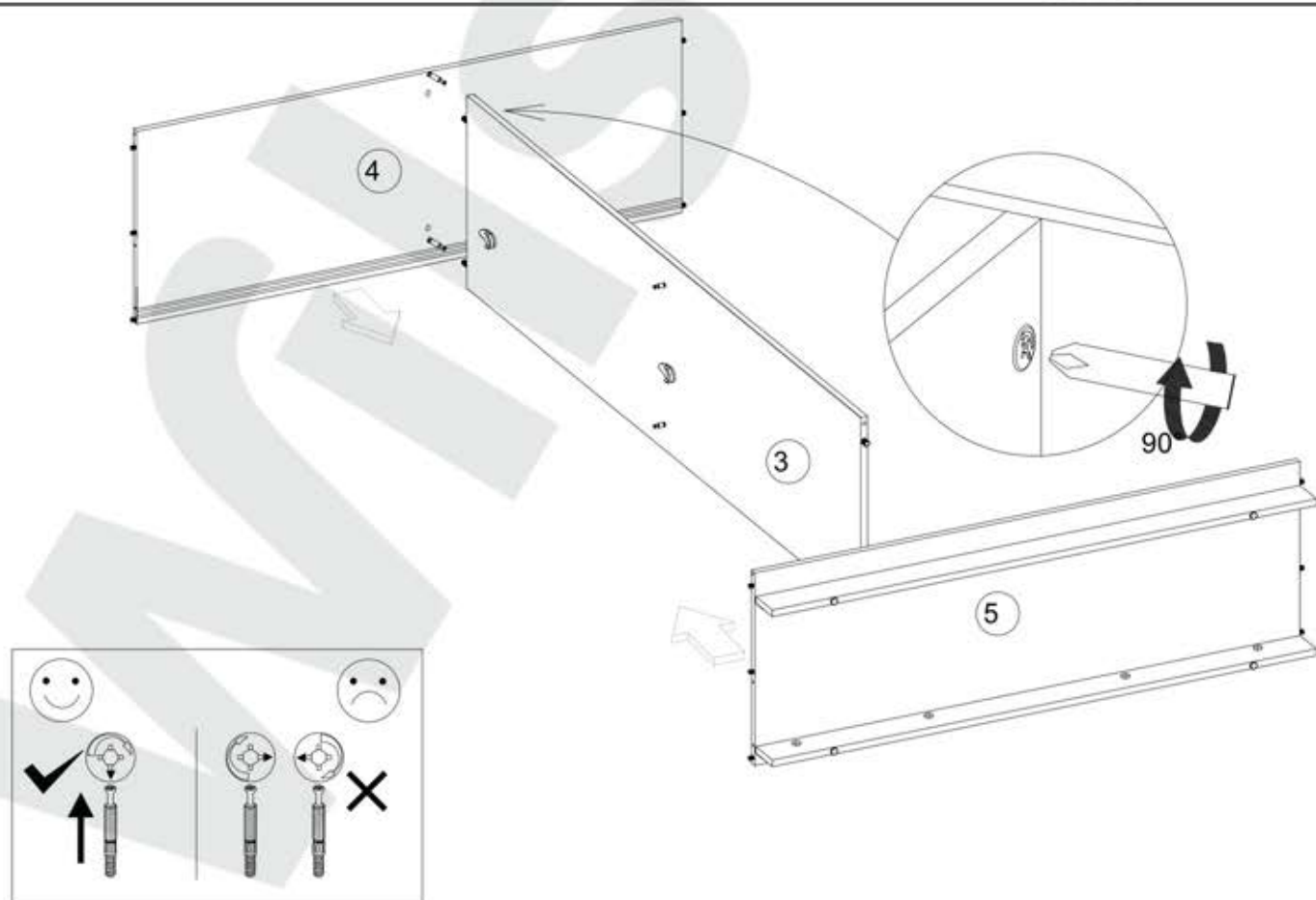
1



2



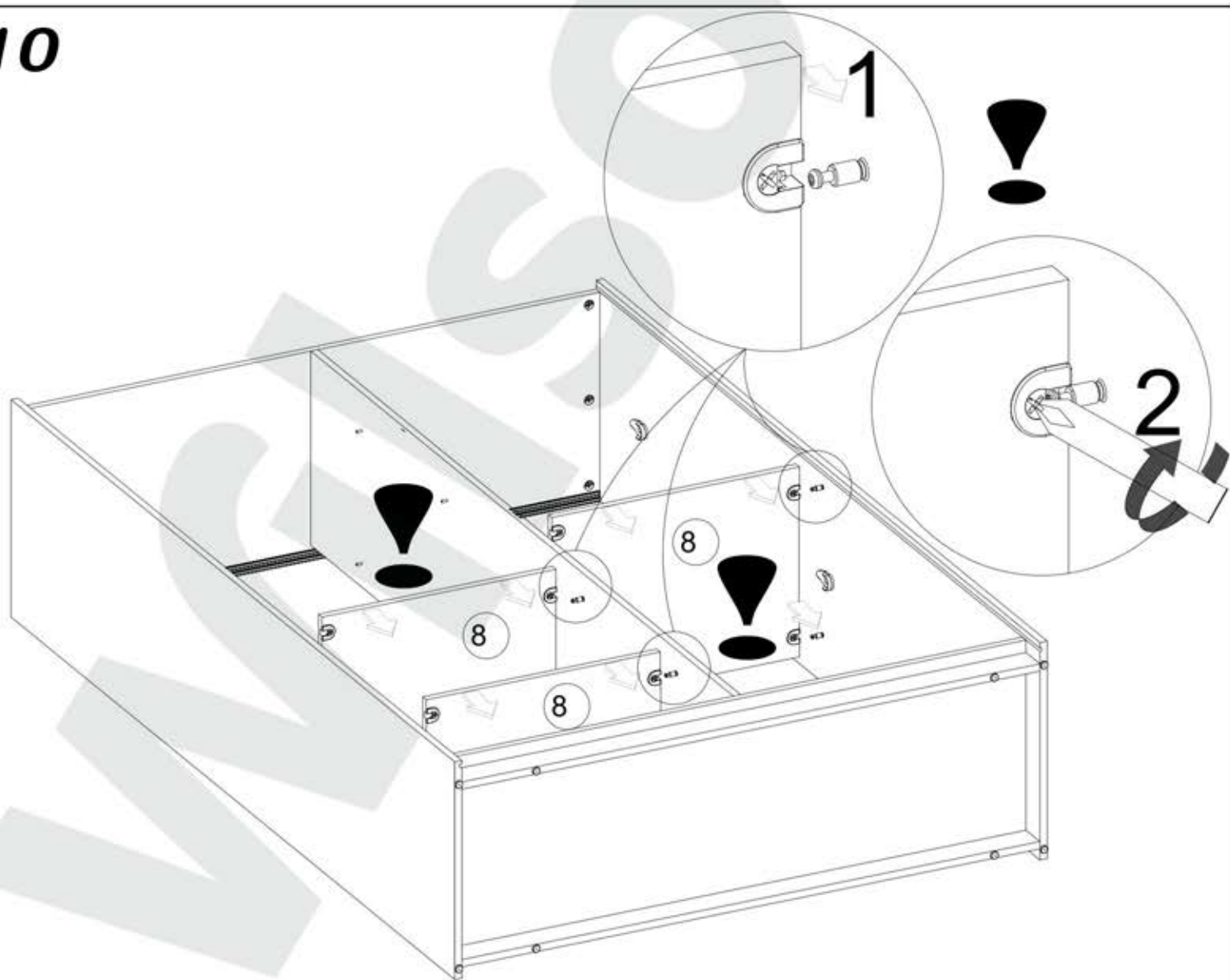
3**4****5**

6**7****8**

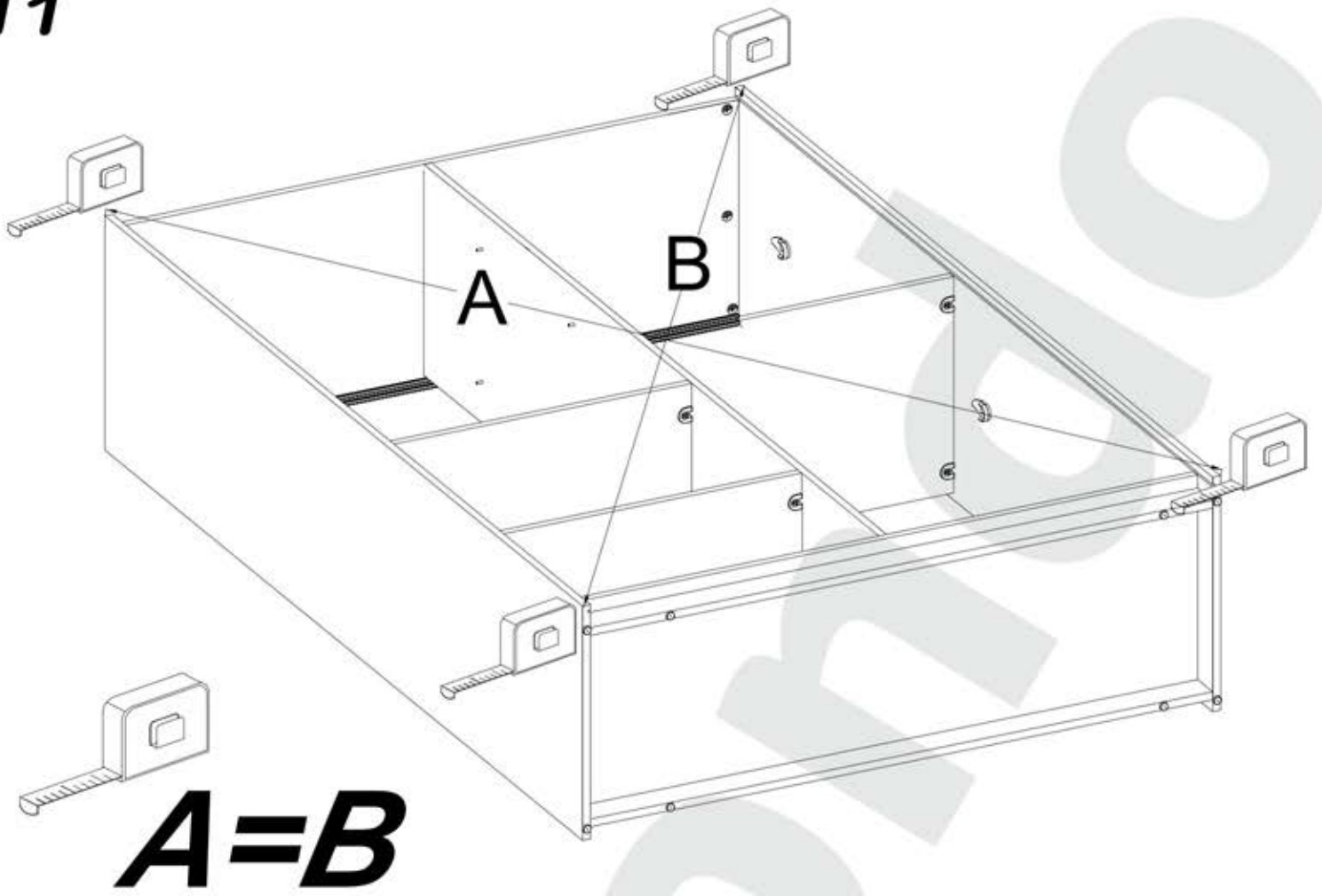
9



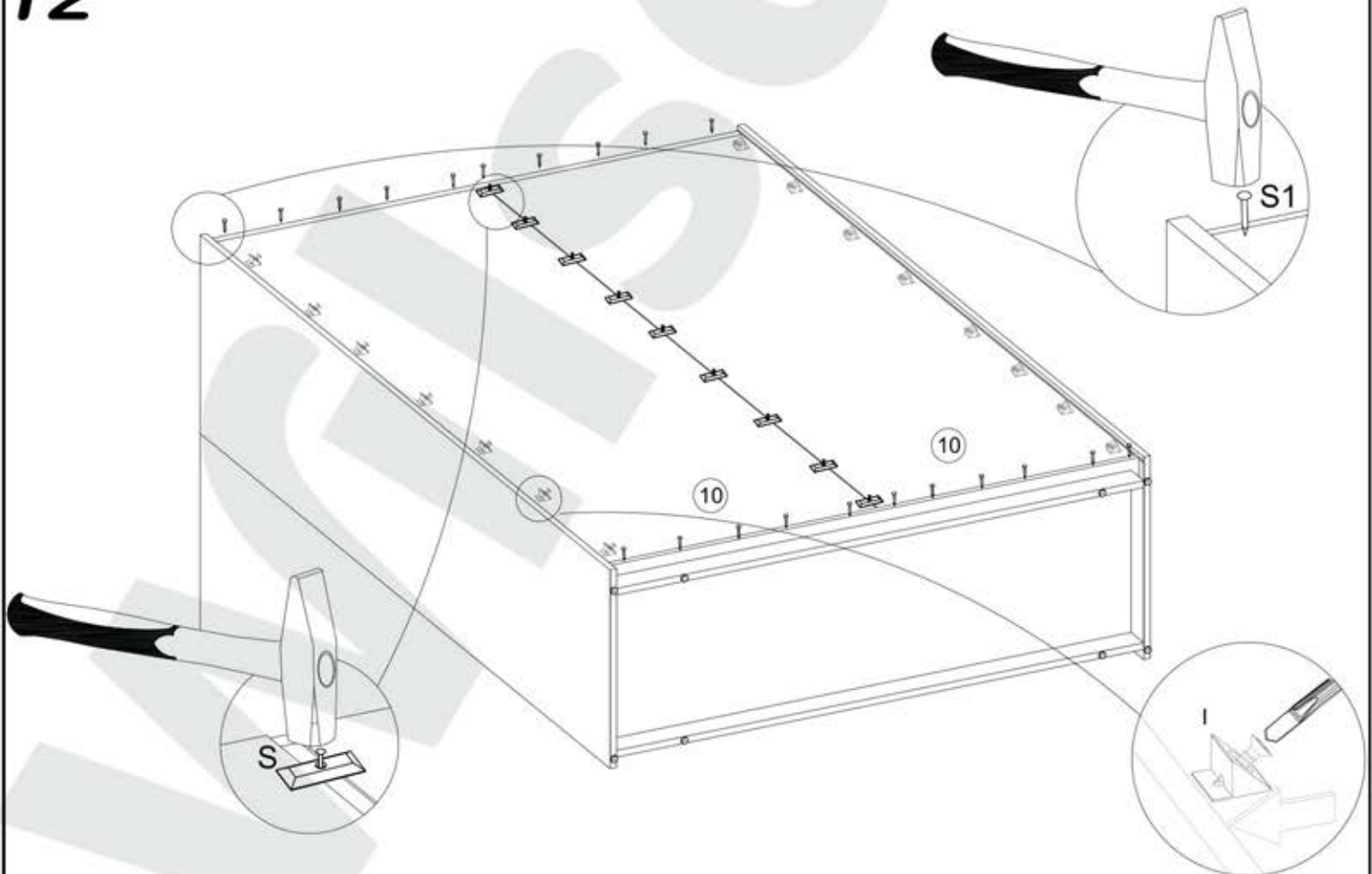
10



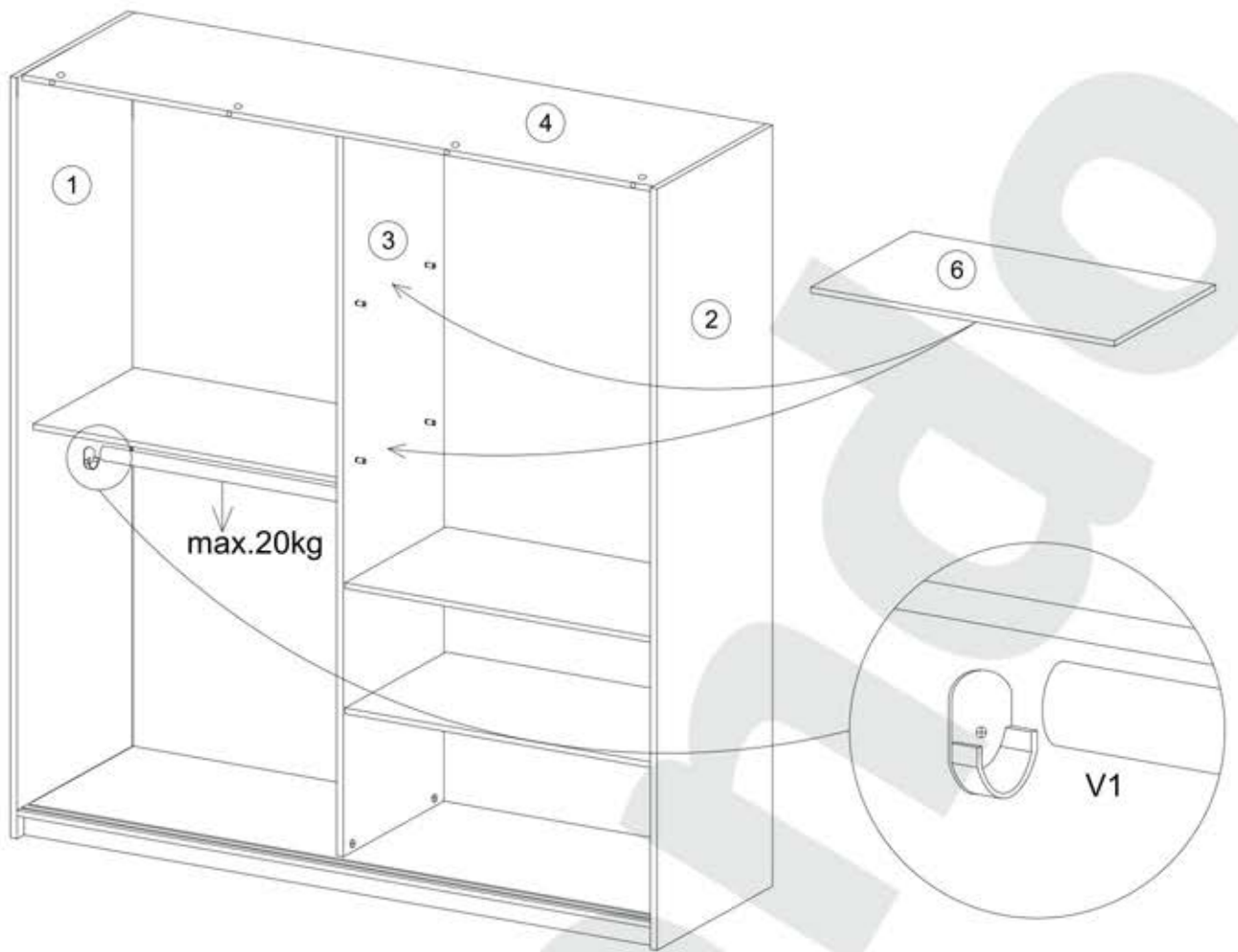
11



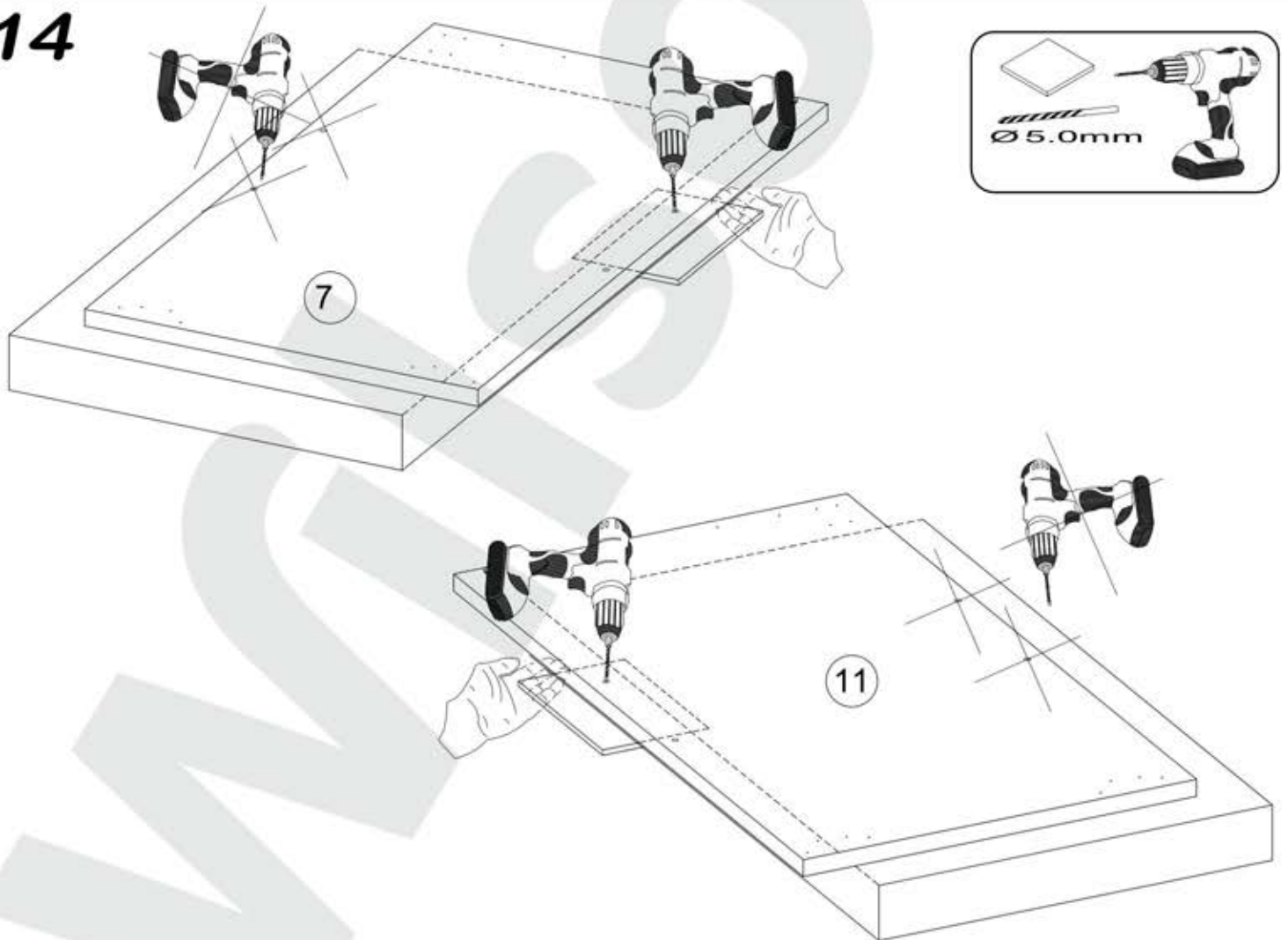
12



13

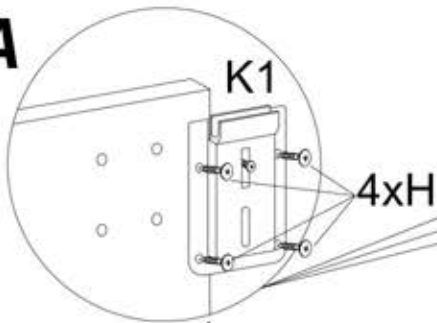


14

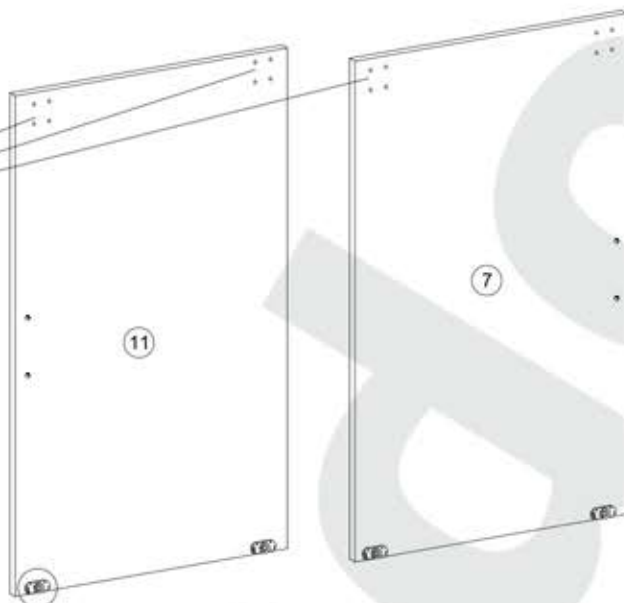
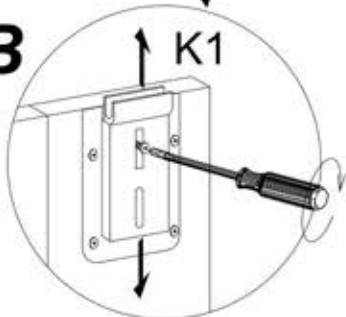


15

A

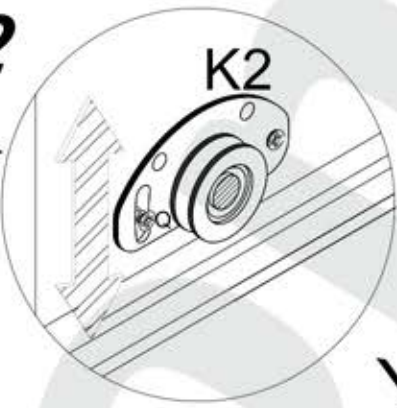
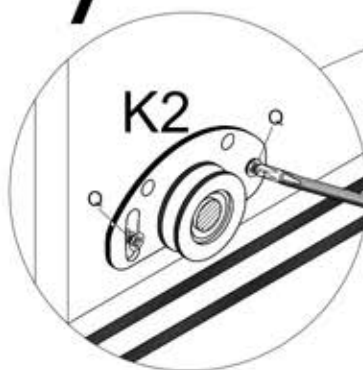


B

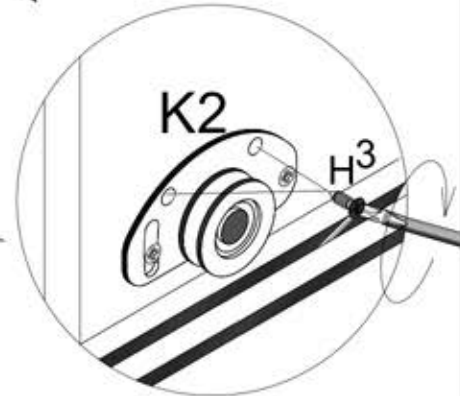


1

2



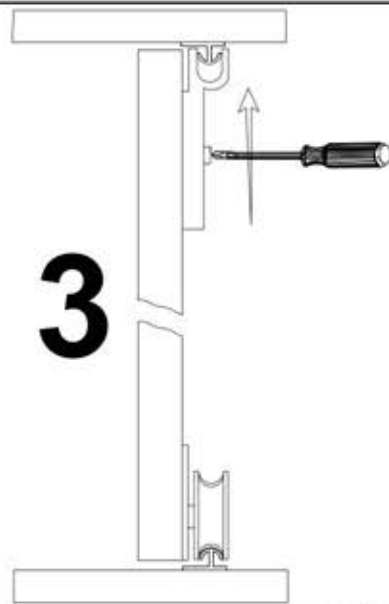
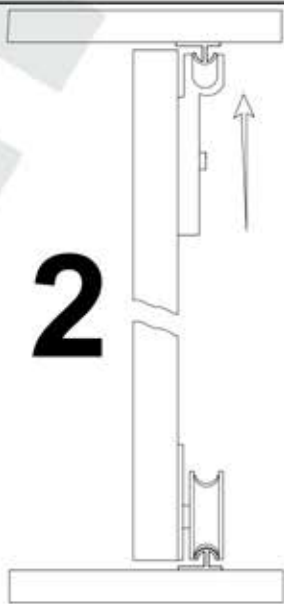
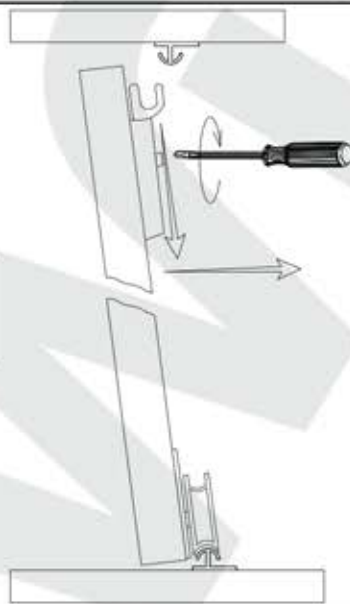
3



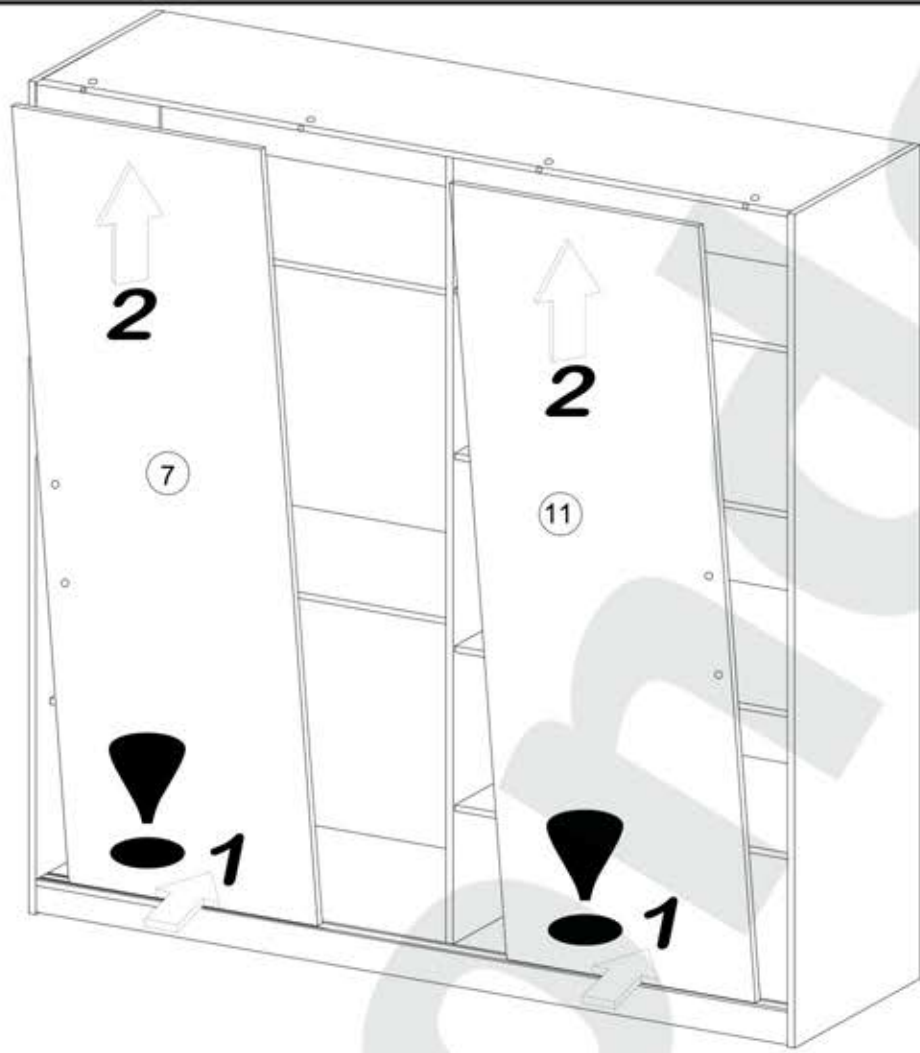
1

2

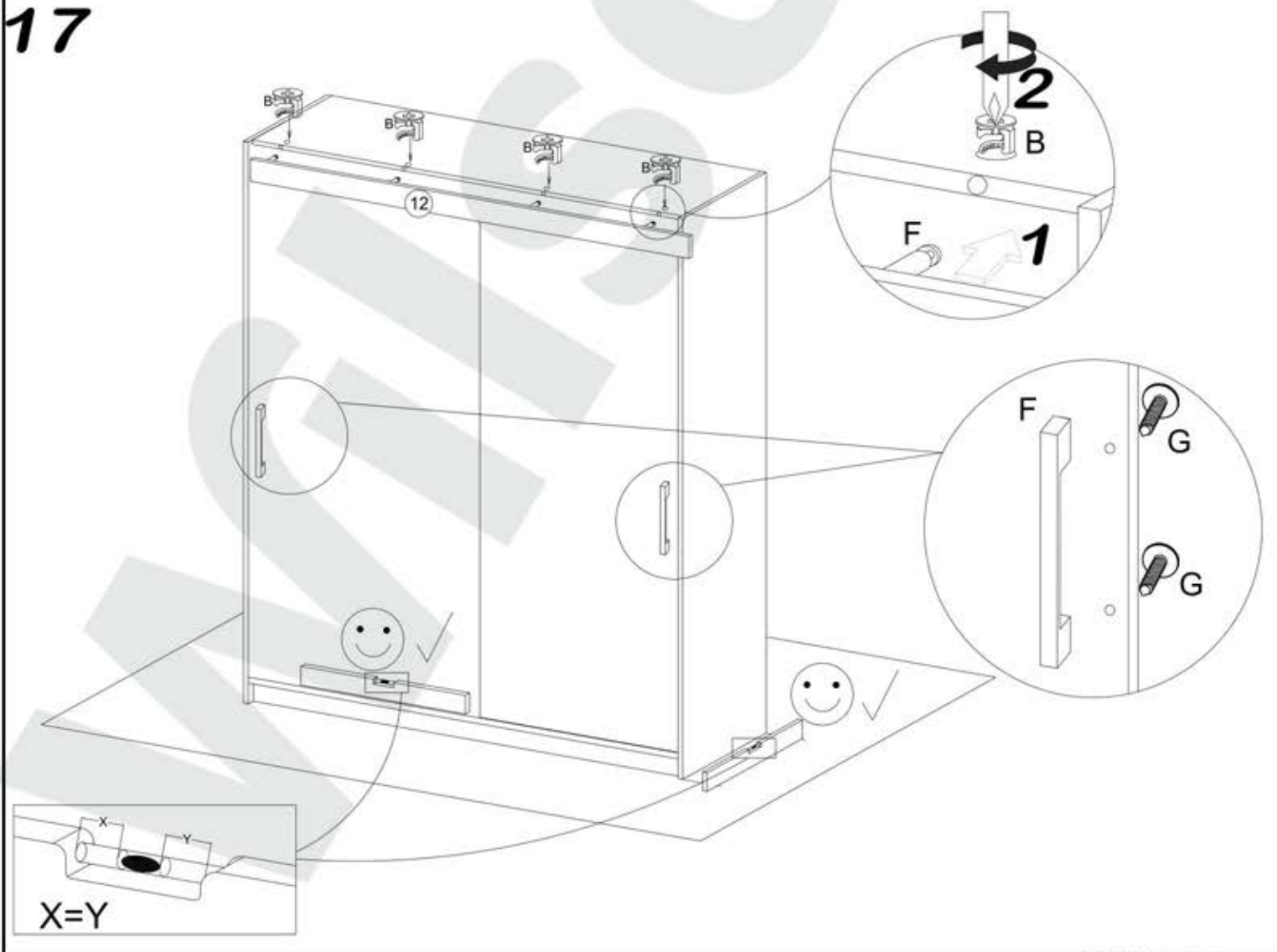
3





16

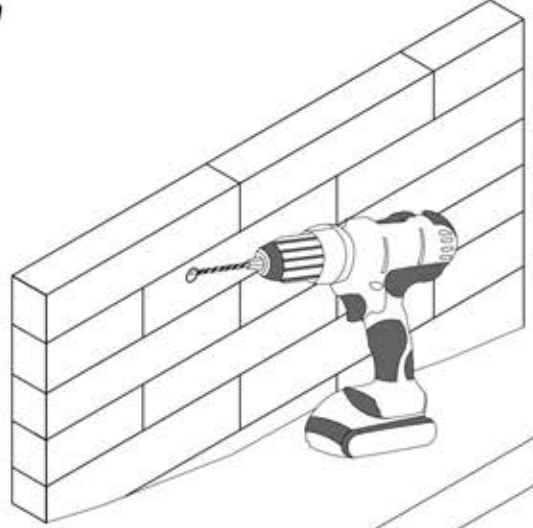


17

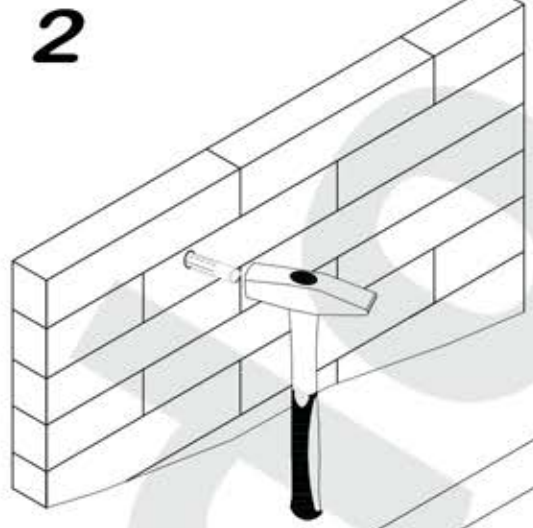


1

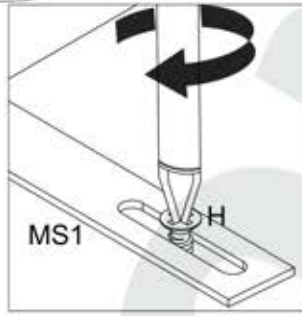
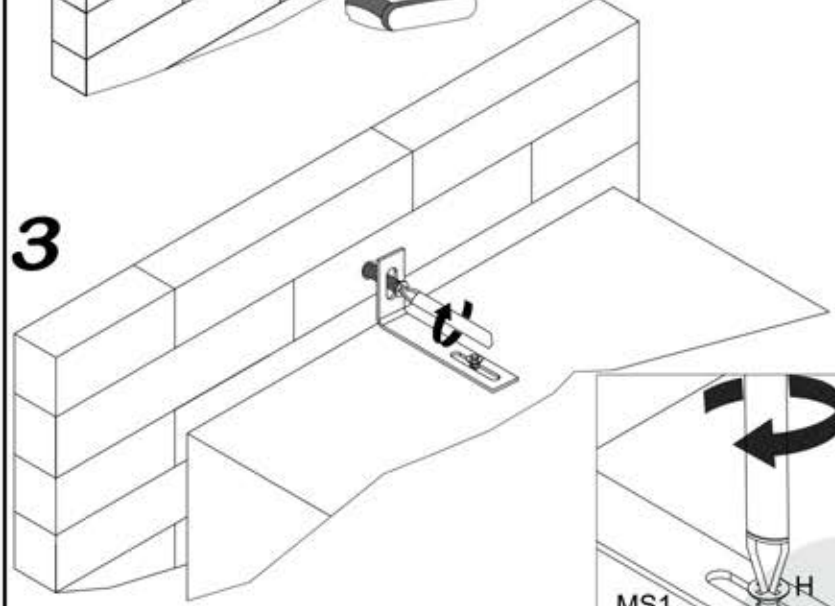
3.5x16	
	
H	MS1
1	1



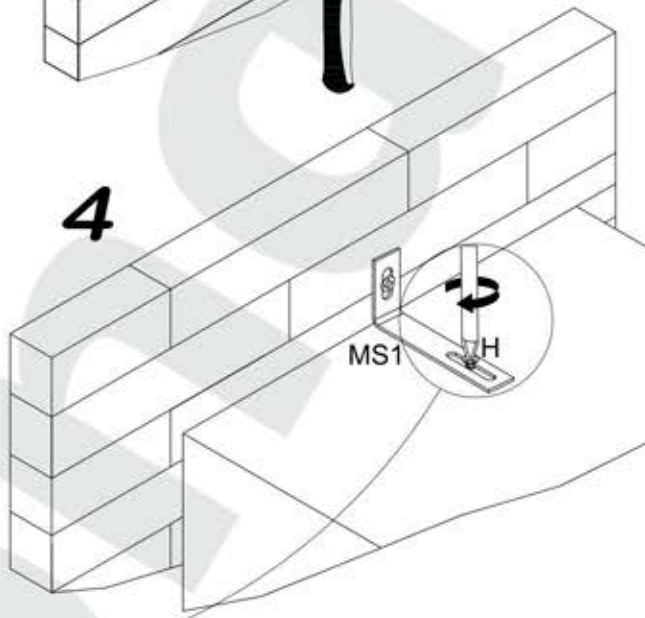
2



3



4



MILS