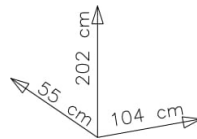
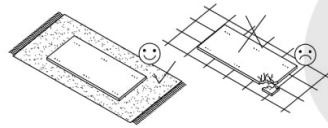
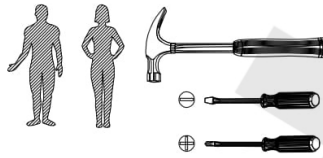
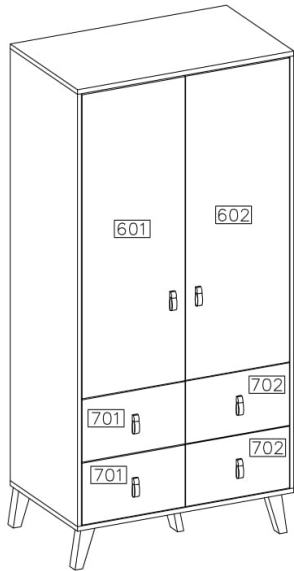
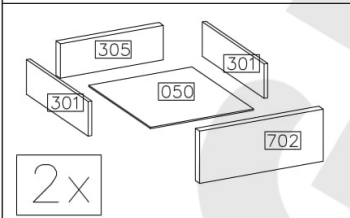
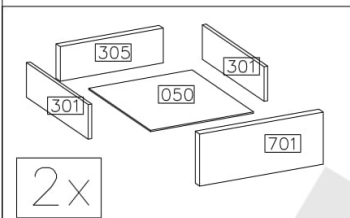
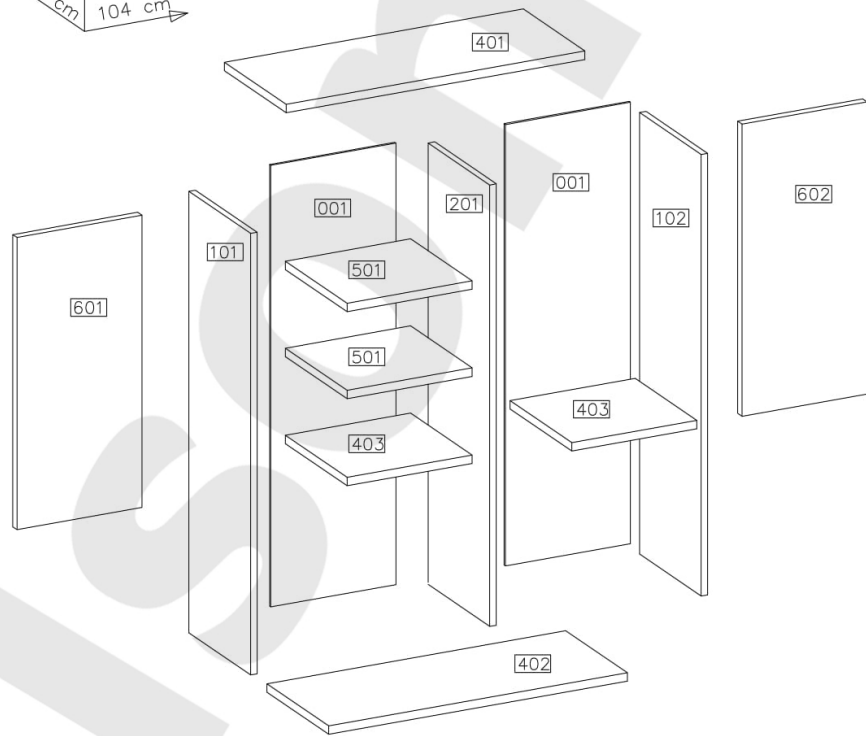


PL - SZAFKA ANITA 2D / SK - SKRIŇA ANITA 2D / HU - SZEKRÉNY ANITA 2D







#	ART. NR	X
1	401	1
2	402	1
3	403	2
4	101	1
5	102	1
6	201	1
7	501	2
8	701	2
9	702	2
10	301	8
11	305	4
12	050	4
13	001	2
14	601	1
15	602	1

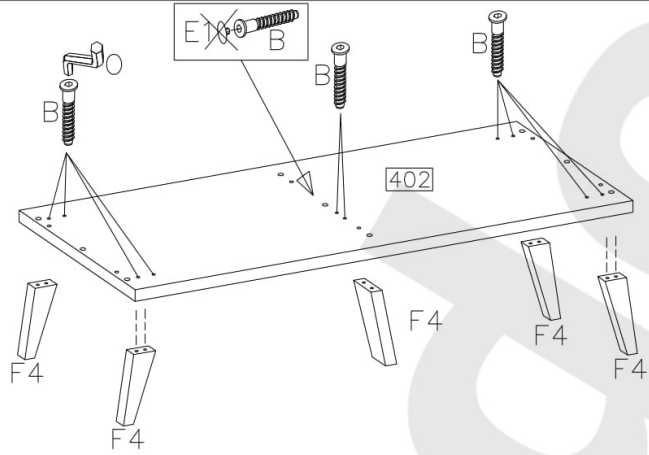


20	20	20	62	64	6	6	20	2	1
100	5	10	10	1	4	4SZT	6	6	8



1

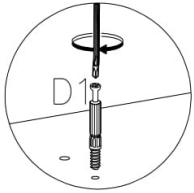
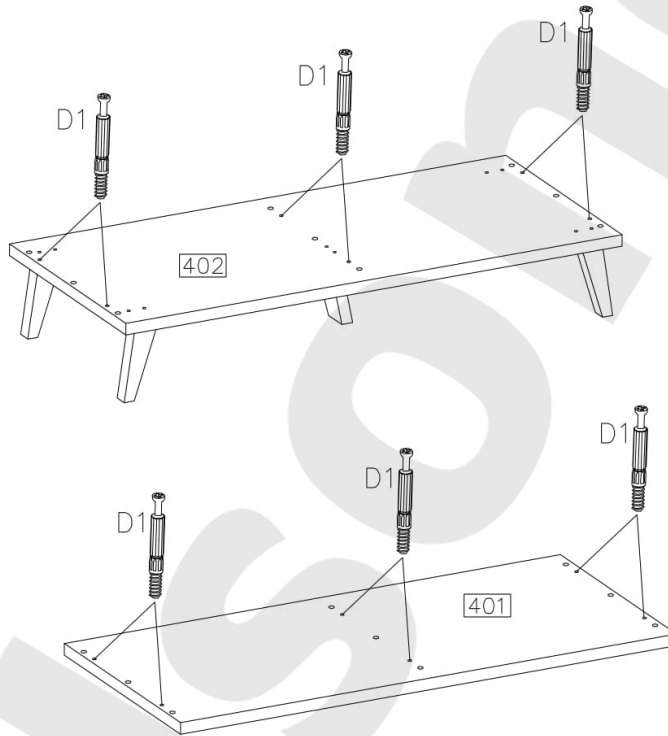
	
10	8
	
5	1





E1  B

2

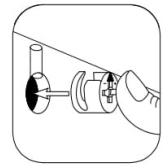
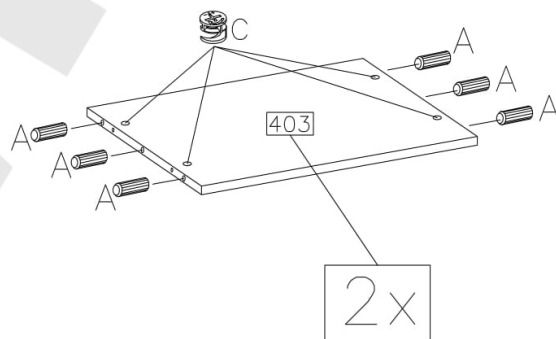

12



3

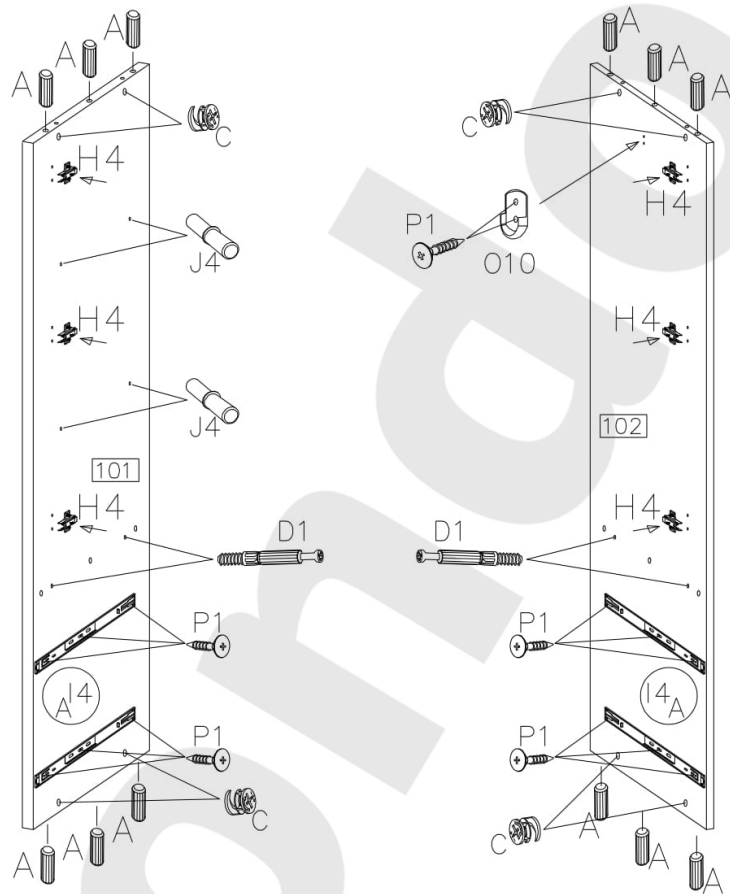
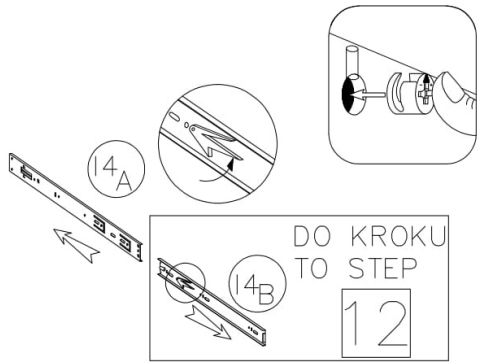

12

8

∅8x30mm
∅15/12mm



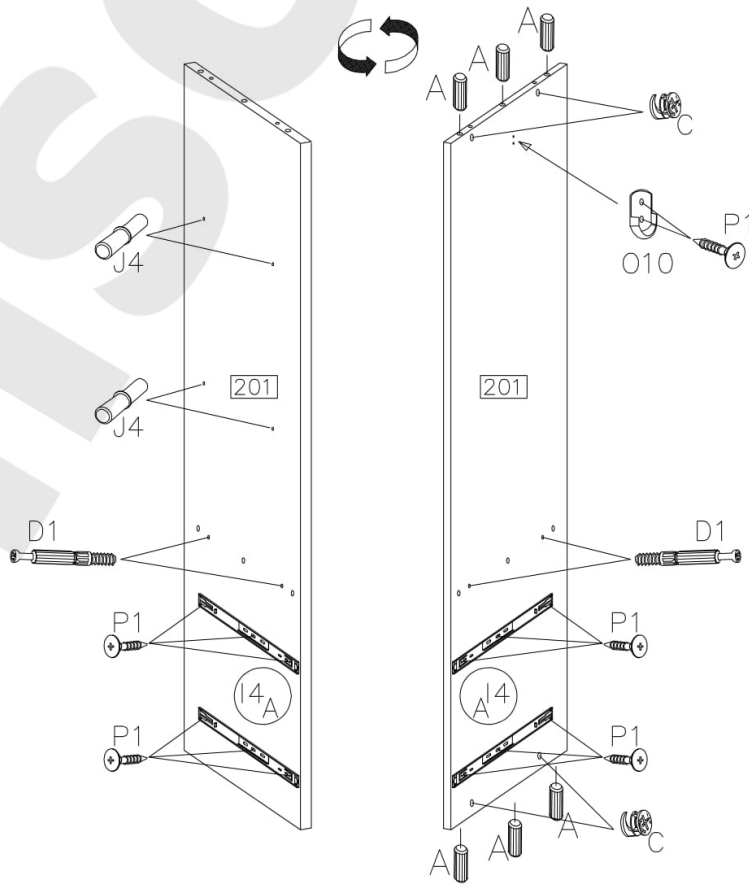
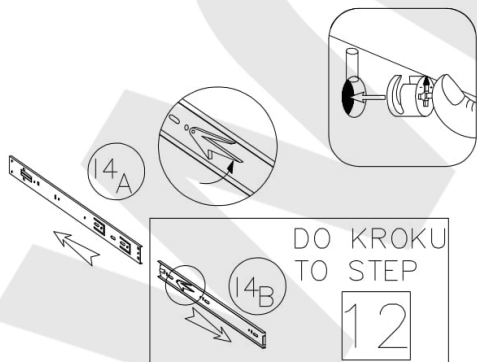
4

I4	D1	
4SZT	4	
∅8x30mm	∅15/12mm	∅4.0x16mm
A	C	P1
12	8	14
J4	H4	O10
4	6	1

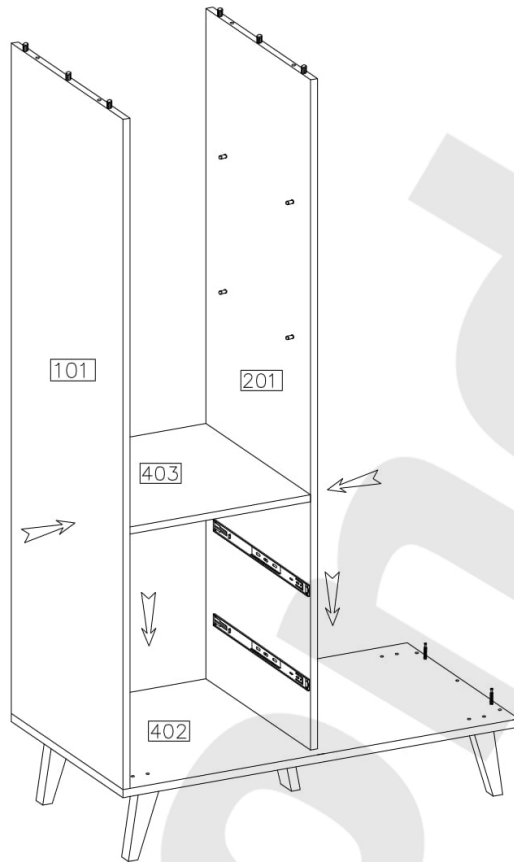
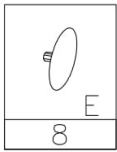


5

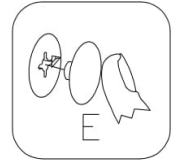
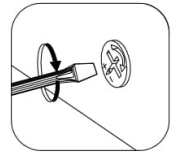
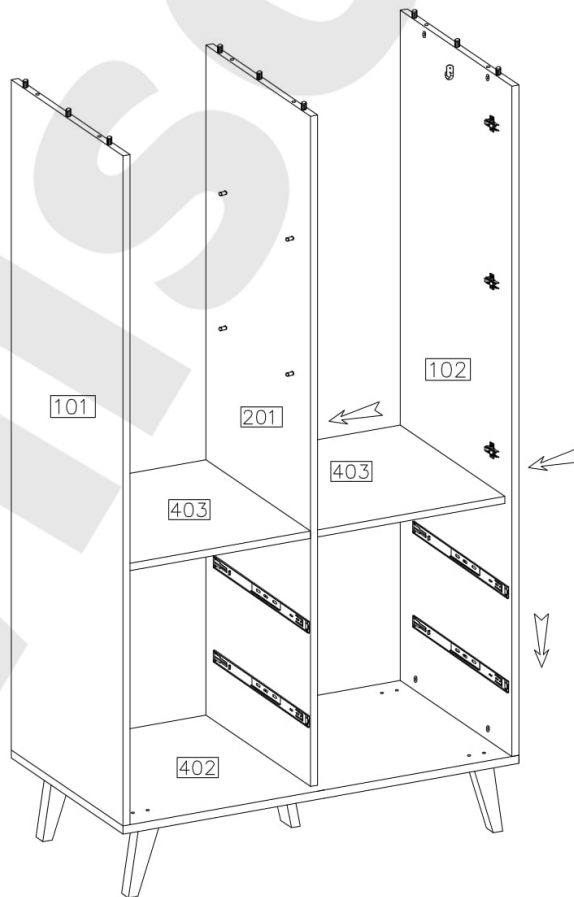
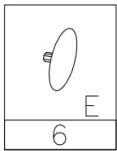
I4	D1	
4SZT	4	
∅8x30mm	∅15/12mm	∅4.0x16mm
A	C	P1
6	4	14
J4	O10	
4	1	



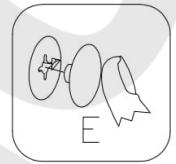
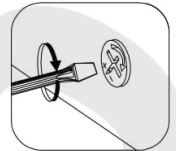
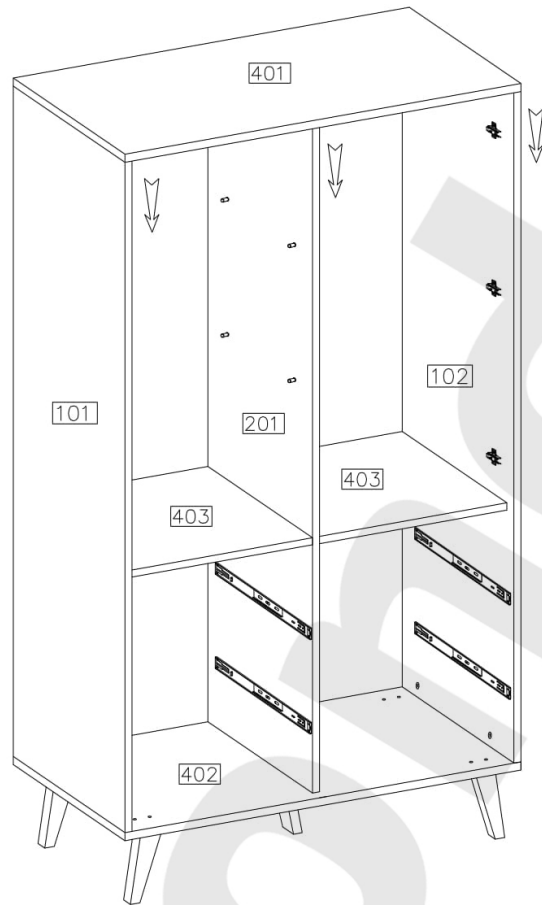
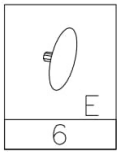
6



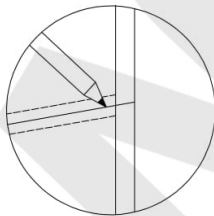
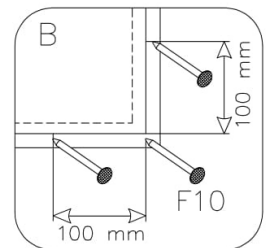
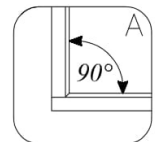
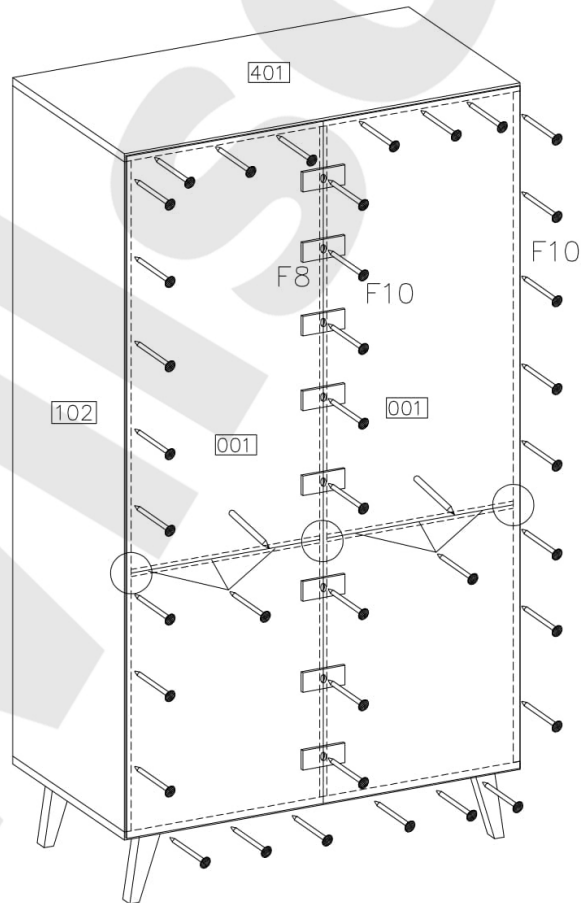
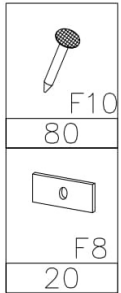
7





8



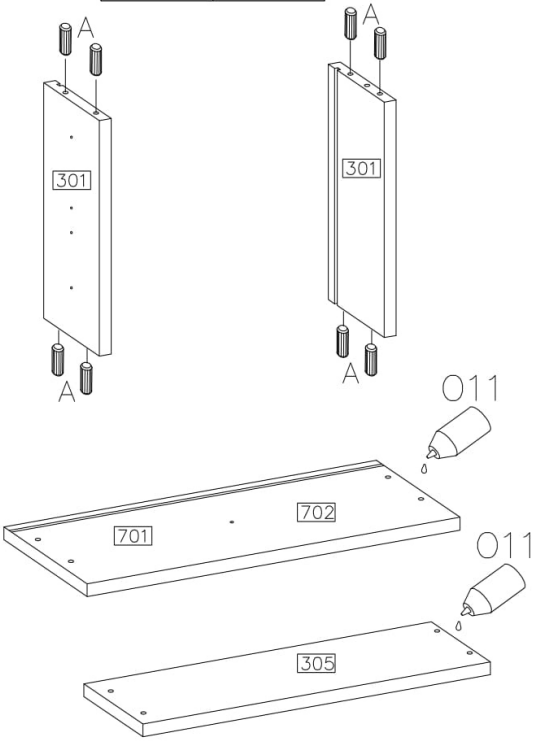
9





10

$\varnothing 8 \times 30 \text{mm}$		
32	A	O11

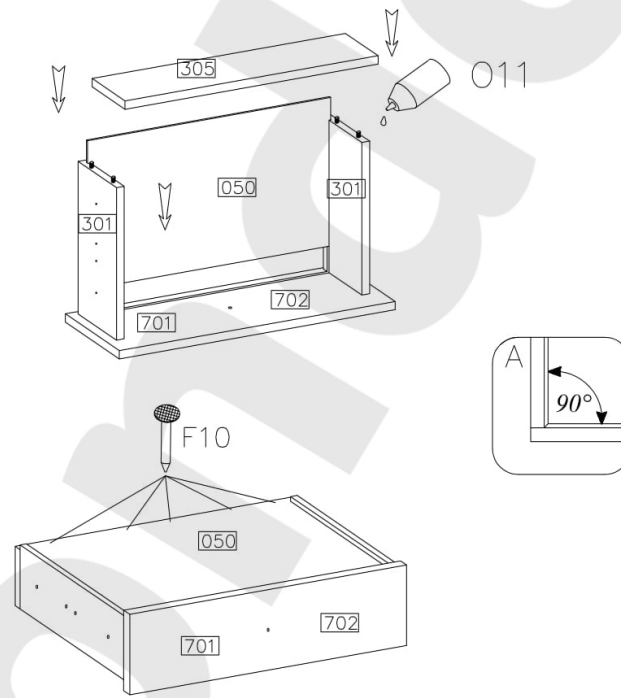
4x



11

	
20	O11





4x

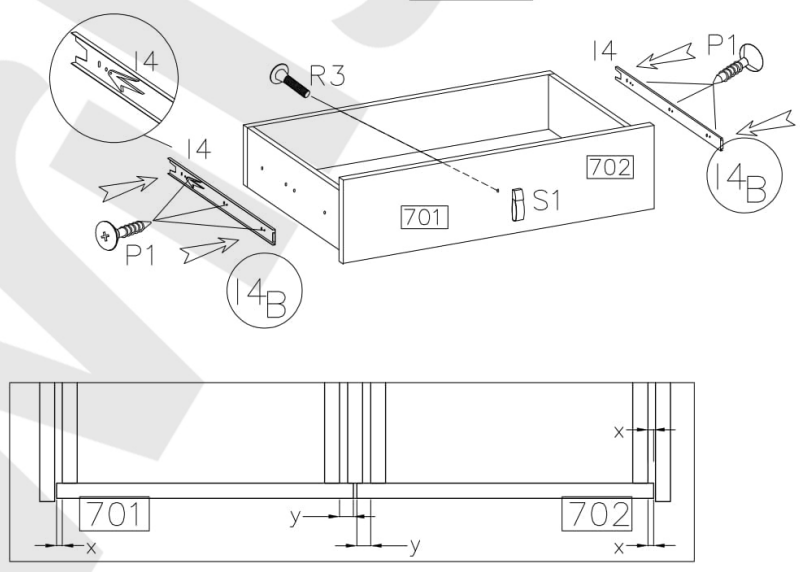


A

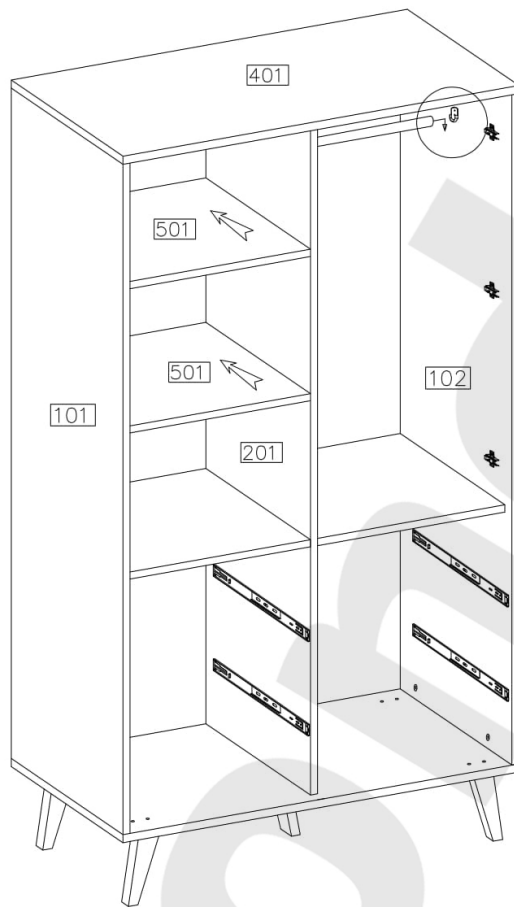
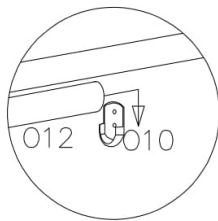
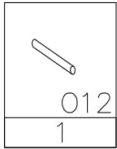
90°

12

	I4
4KPL	4x
$\varnothing 4.0 \times 16 \text{mm}$	
	P1
24	
	S1
4	
M4.0 x 23mm	
	R3
4	

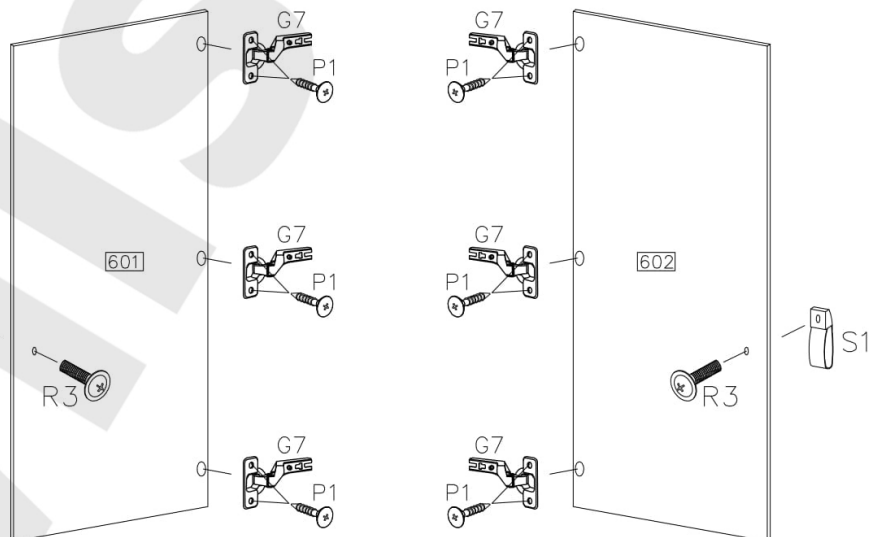


13



14

4.0x16mm P1	ø35/KR-15 G7
12	6
M4.0x23mm S1	R3
2	2



15

