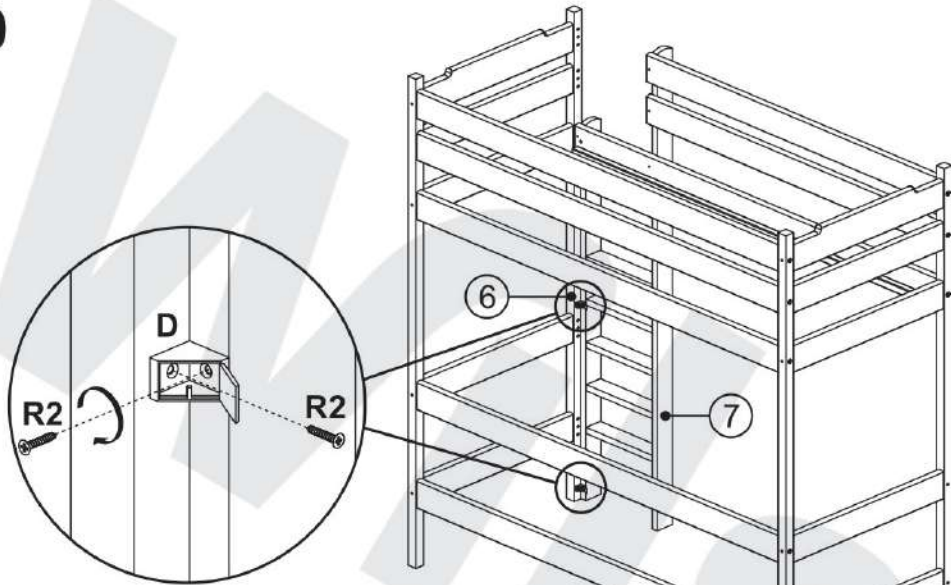
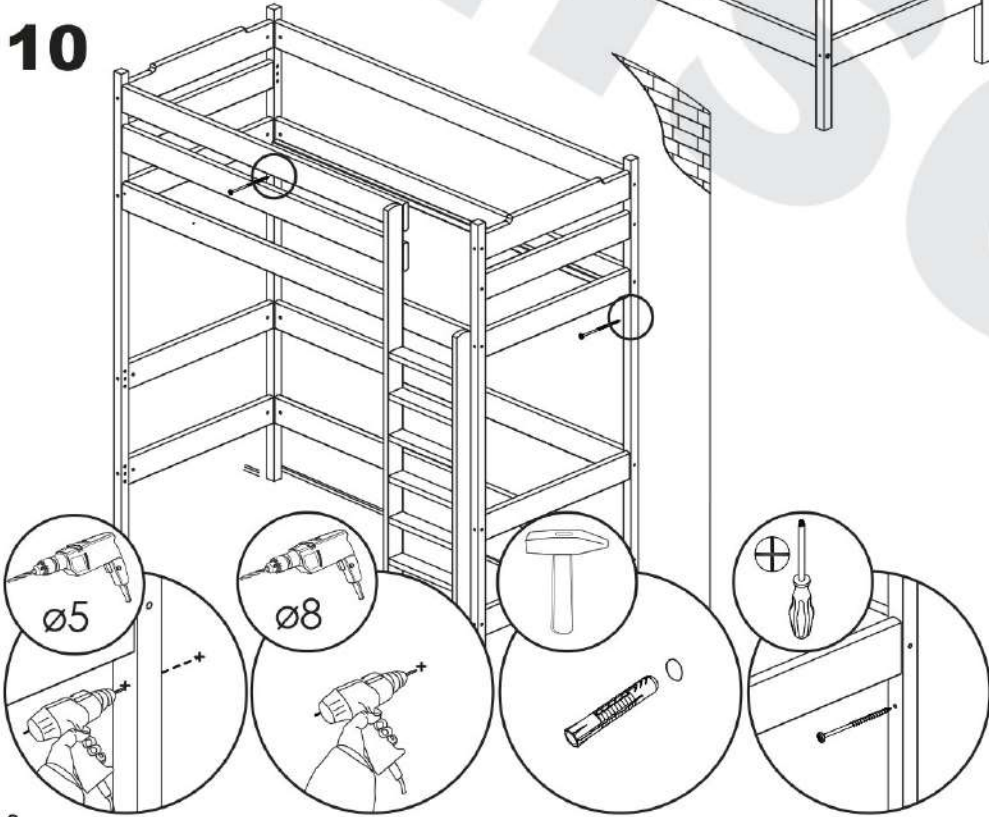


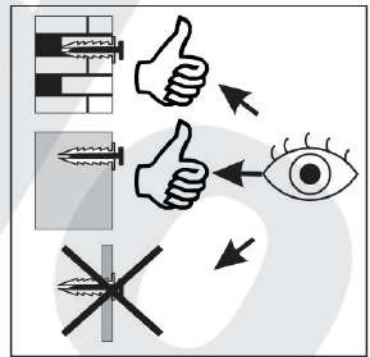
9



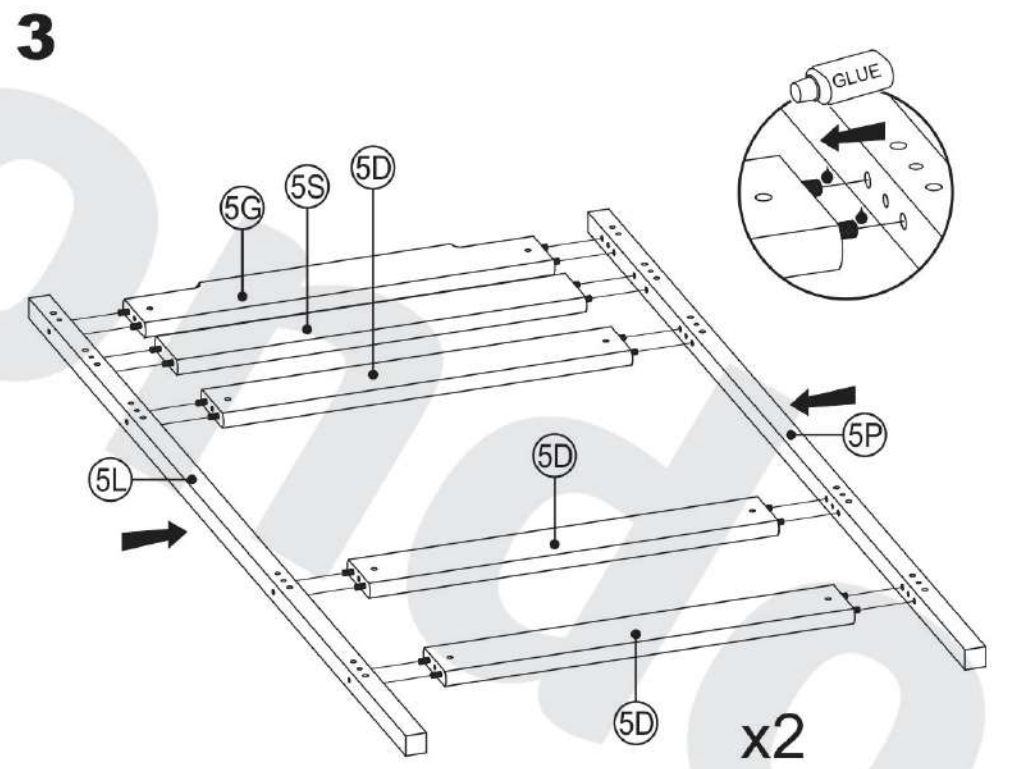
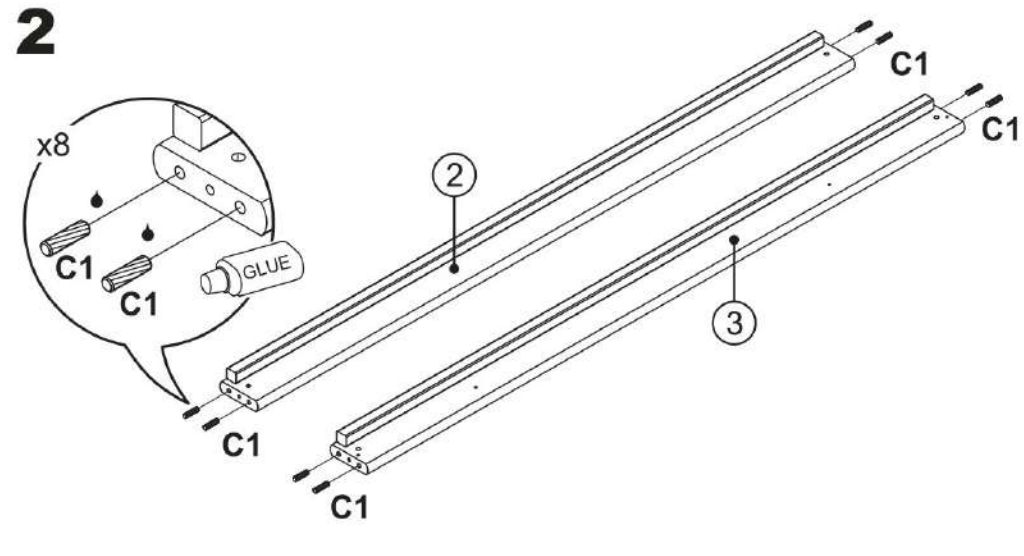
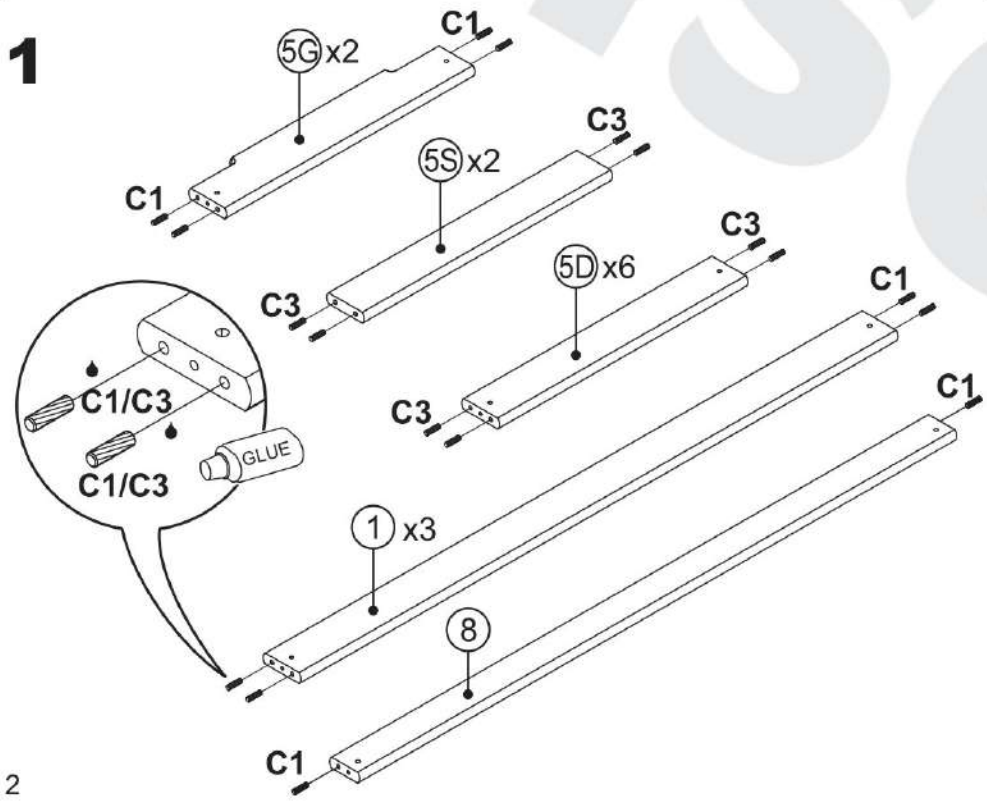
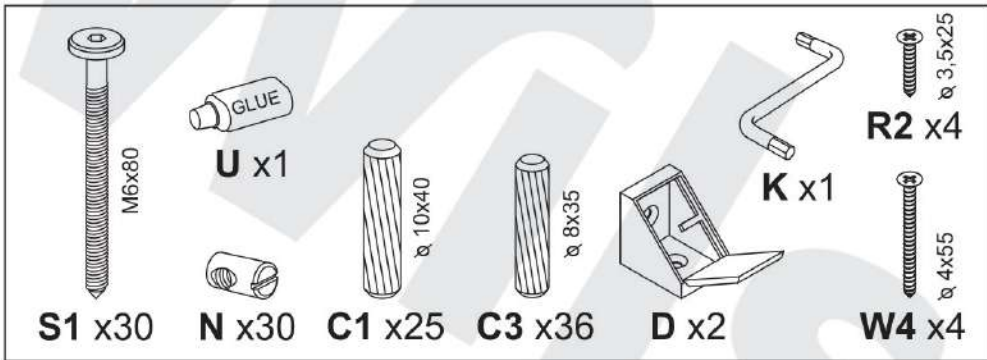
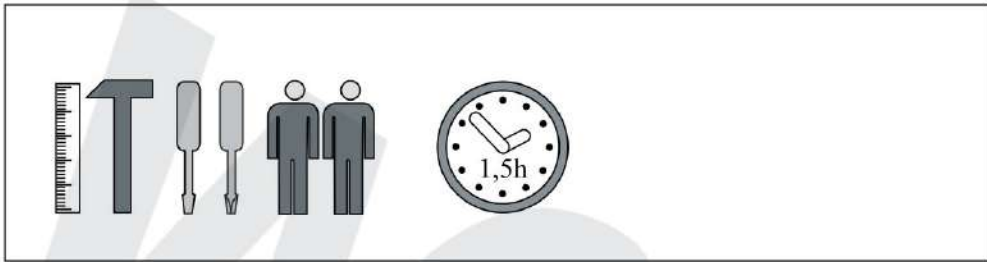
10



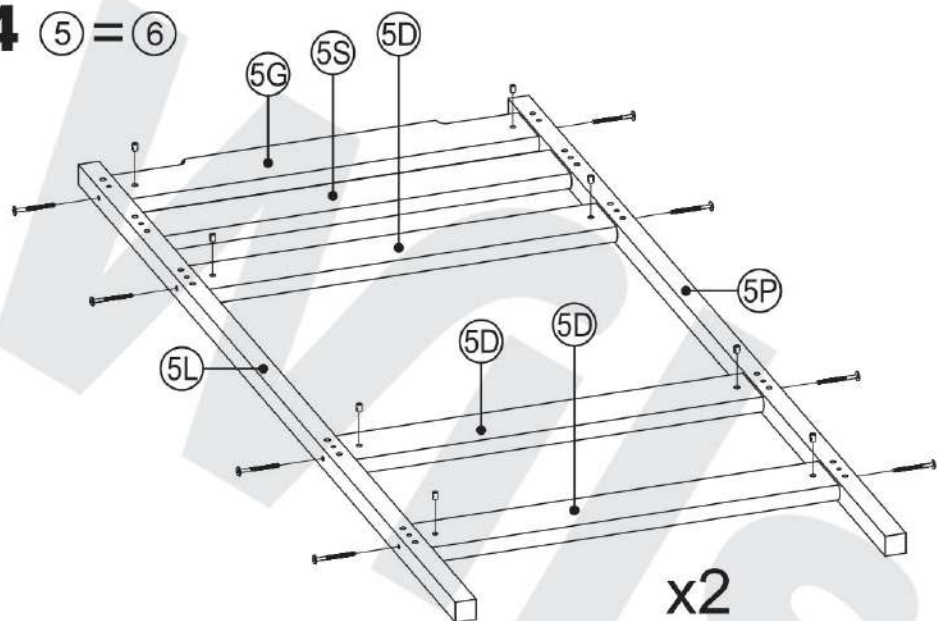
8



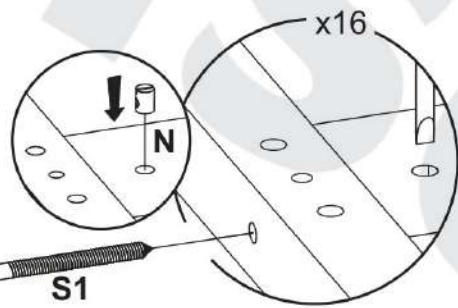
v06



4 ⑤ = ⑥

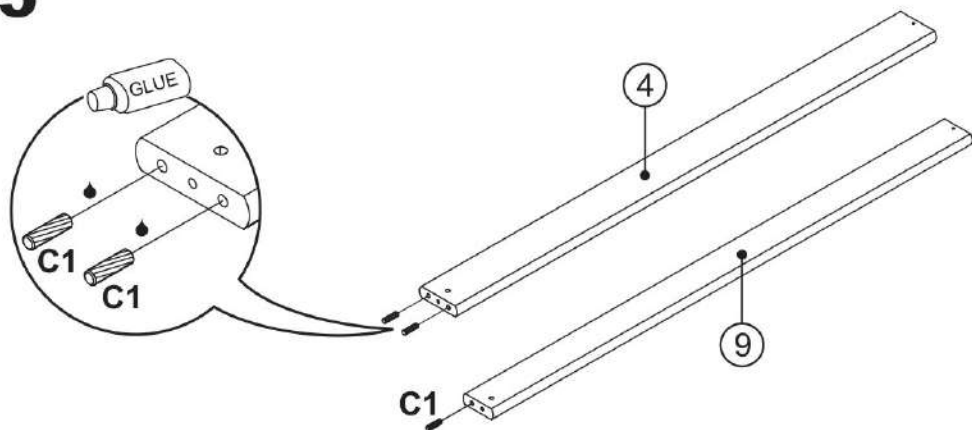


x2

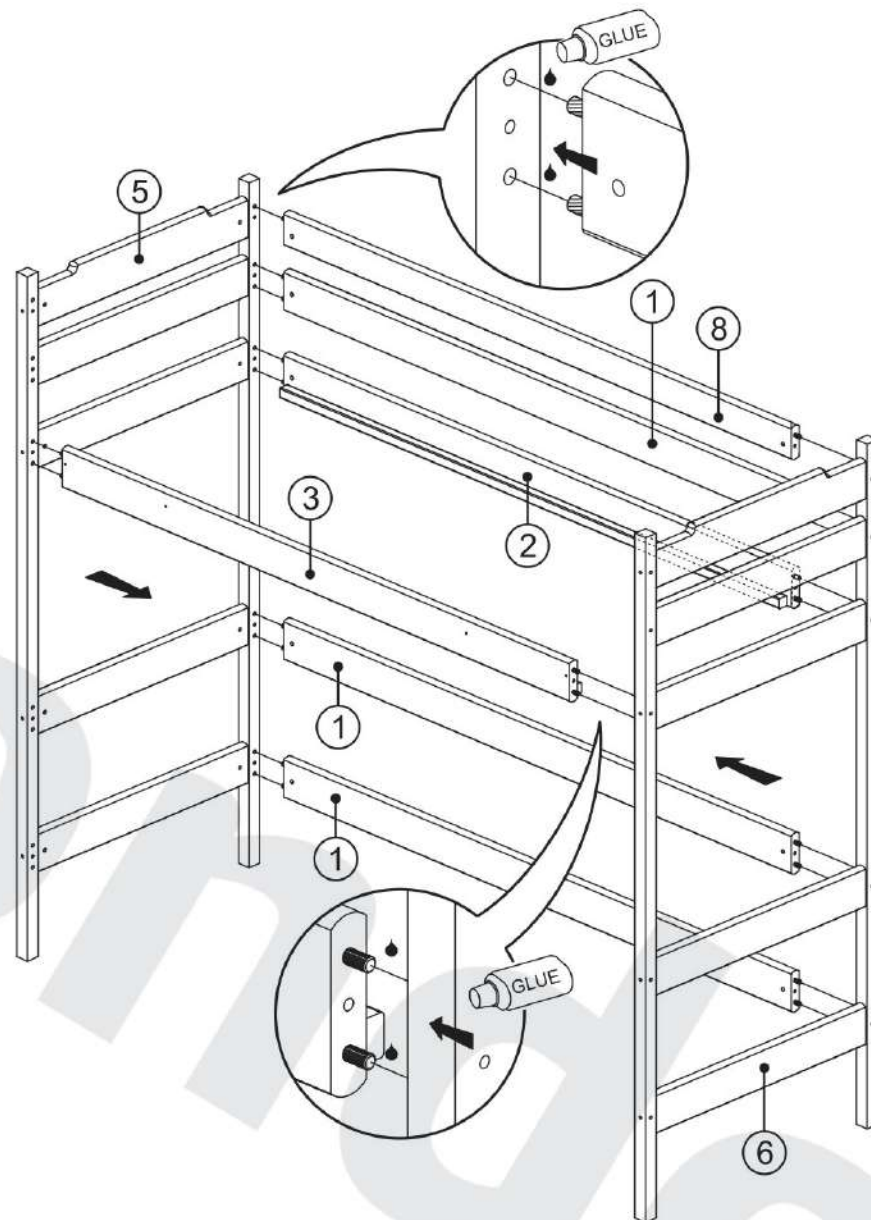


x16

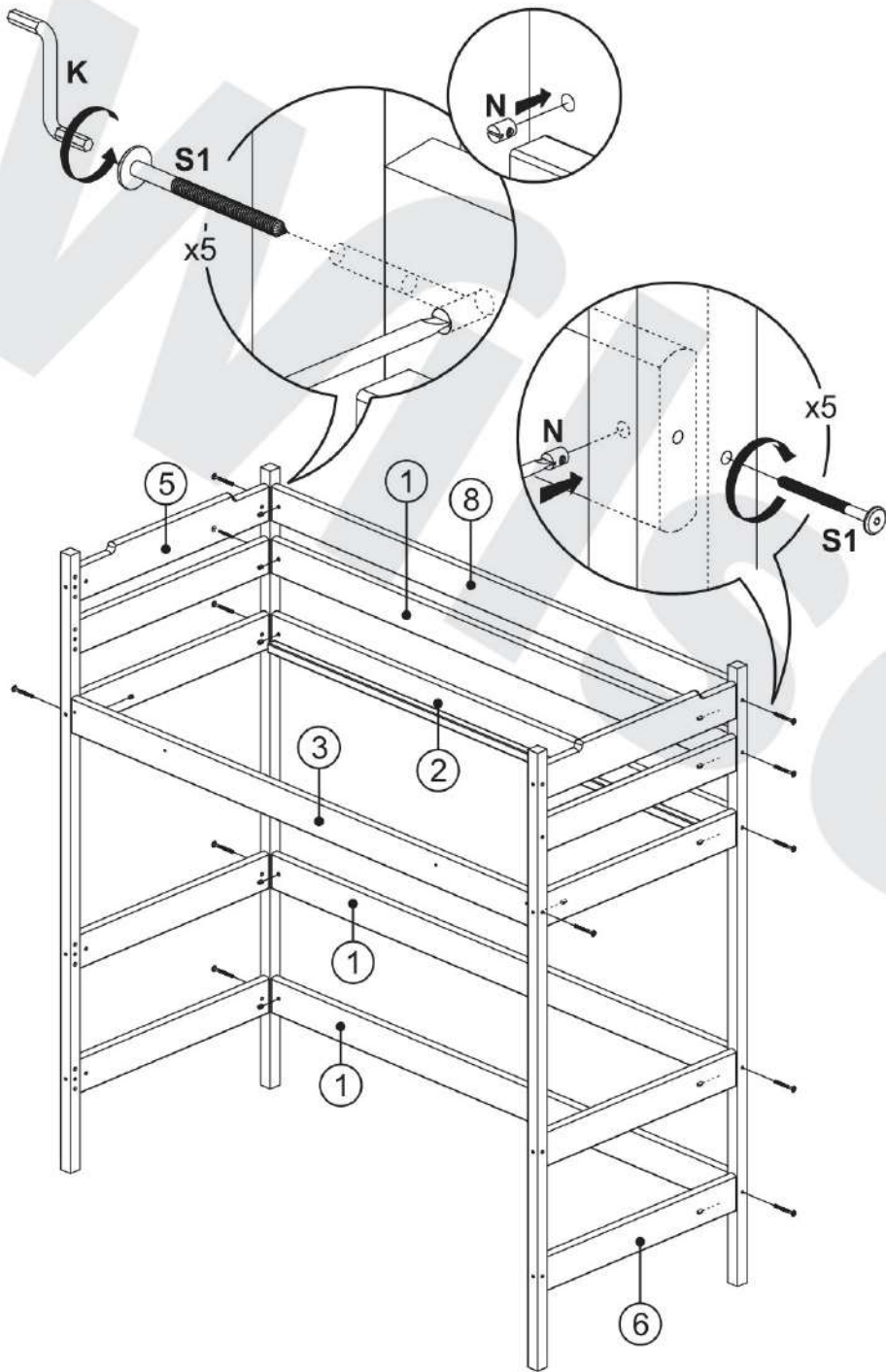
5



6



7



8

